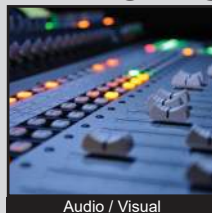


TL6275 SERIES TACT SWITCH

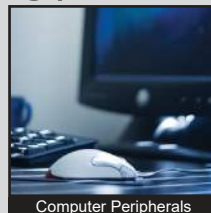
ANTI-VANDAL SWITCHES
 DETECTOR SWITCHES
 DIP SWITCHES
 KEYLOCK SWITCHES
 NAVIGATION SWITCHES
 PUSHBUTTON SWITCHES
 ROCKER SWITCHES
 ROTARY SWITCHES
 SLIDE SWITCHES
 SNAP ACTION SWITCHES
TACTILE SWITCHES
 TOGGLE SWITCHES
 CAP OPTIONS



APPLICATIONS / MARKETS



Audio / Visual



Computer Peripherals



Consumer Electronics



Instrumentation



Security Devices



Medical Equipment

RoHS

SPECIFICATIONS

Contact Arrangement: SPST
Contact Rating: 50mA @ 12VDC
Contact Resistance: 100mΩ Initial
Insulation Resistance: 100 MΩ Min.
Dielectric Strength: 250V RMS
Electrical Life: 100,000 cycles
Operating Temperature: -25°C to 70°C
Storage Temperature: -25°C to 70°C
Travel: 0.25mm
Actuation Force: 350 gf

FEATURES & BENEFITS

- 100,000 cycle life expectancy
- Multiple cap options
- Illumination options
- PCB Mount
- Capable to withstand a typical water wash

PART NUMBER CONFIGURATOR

Series



TL6275

Actuator



A - Clear 7.20 Actuator (No Cap)
B - Clear 9.05 Actuator

Housing



A2 - Standard Housing

Termination



P - Thru Hole PCB Pins

Contact Material



Q - Silver

Cap Options

(Only with B - Actuator)



N - None
R - Opaque 7.4 Rounded
S - Transparent 7.4 Square
T - Translucent High 6.0 Square
U - Translucent High 6.0 Circle

LED Color



R - Red
B - Blue
G - Green
W - White
Y - Yellow

Specifications subject to change without notice 5.18.2019



E-SWITCH®

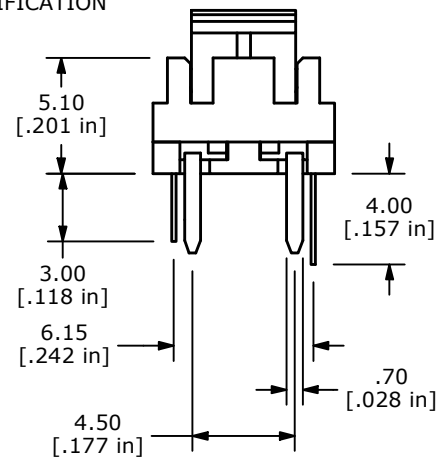
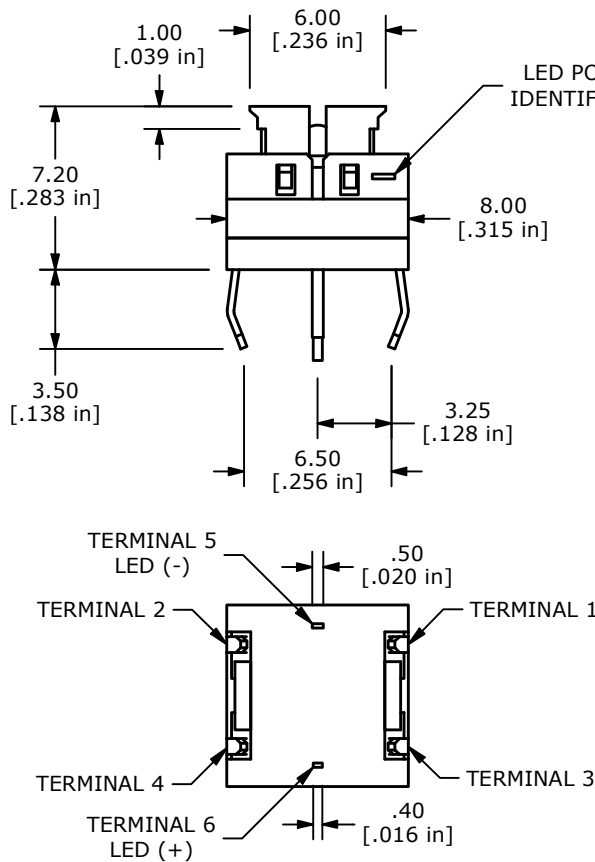
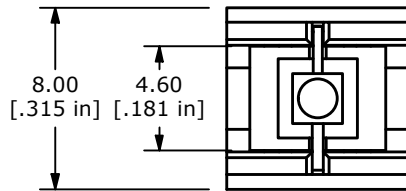
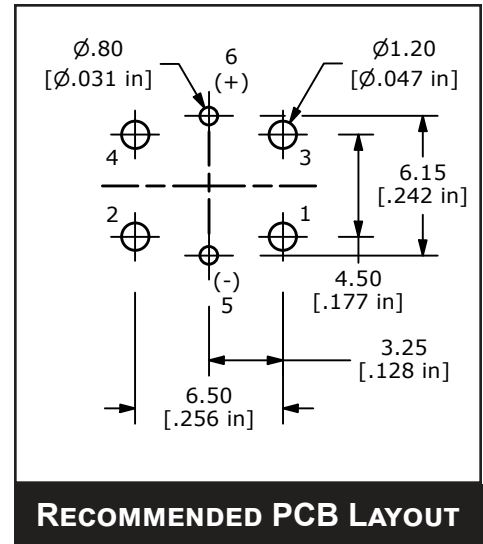
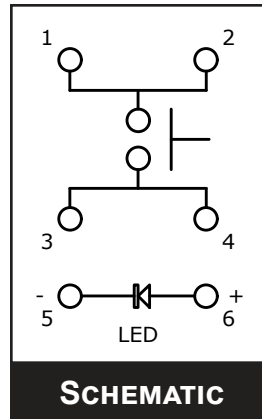
www.e-switch.com

800.867.2717

1

TL6275 SERIES TACT SWITCH

BODY DIMENSIONS A - ACTUATOR

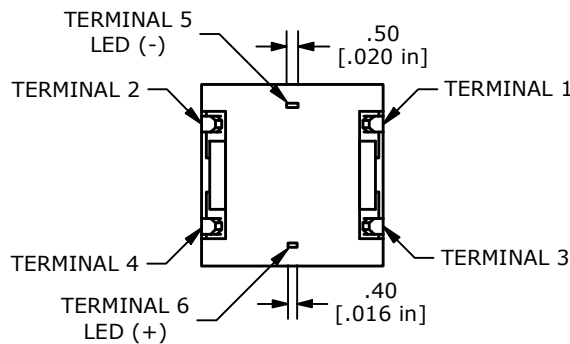
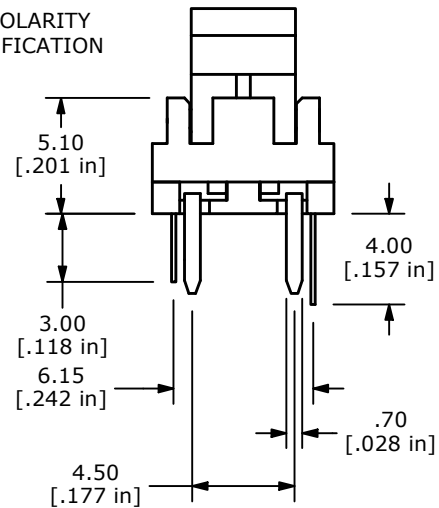
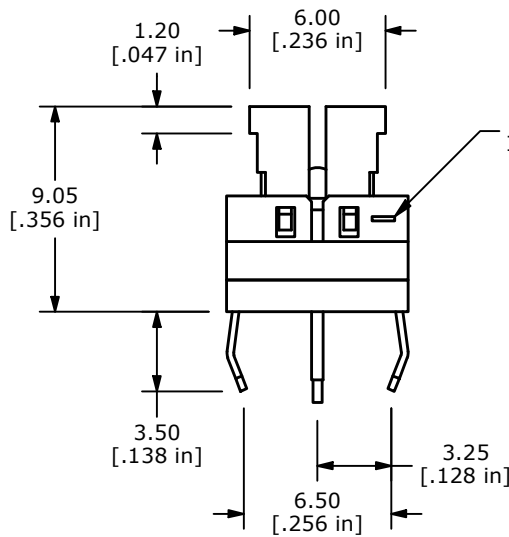
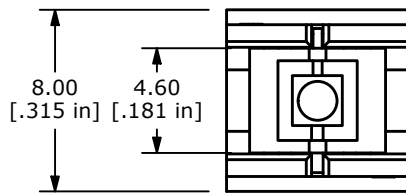
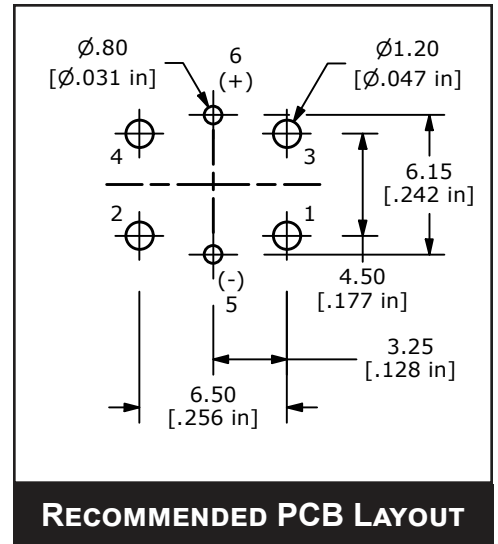
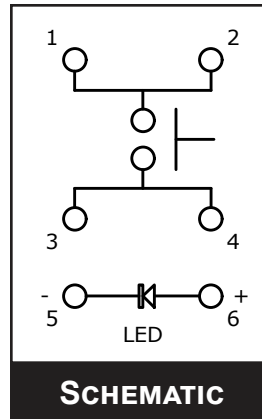


ANTI-VANDAL SWITCHES
DETECTOR SWITCHES
DIP SWITCHES
KEYLOCK SWITCHES
NAVIGATION SWITCHES
PUSHBUTTON SWITCHES
ROCKER SWITCHES
ROTARY SWITCHES
SLIDE SWITCHES
SNAP ACTION SWITCHES
TACTILE SWITCHES
TOGGLE SWITCHES
CAP OPTIONS

TL6275 SERIES TACT SWITCH

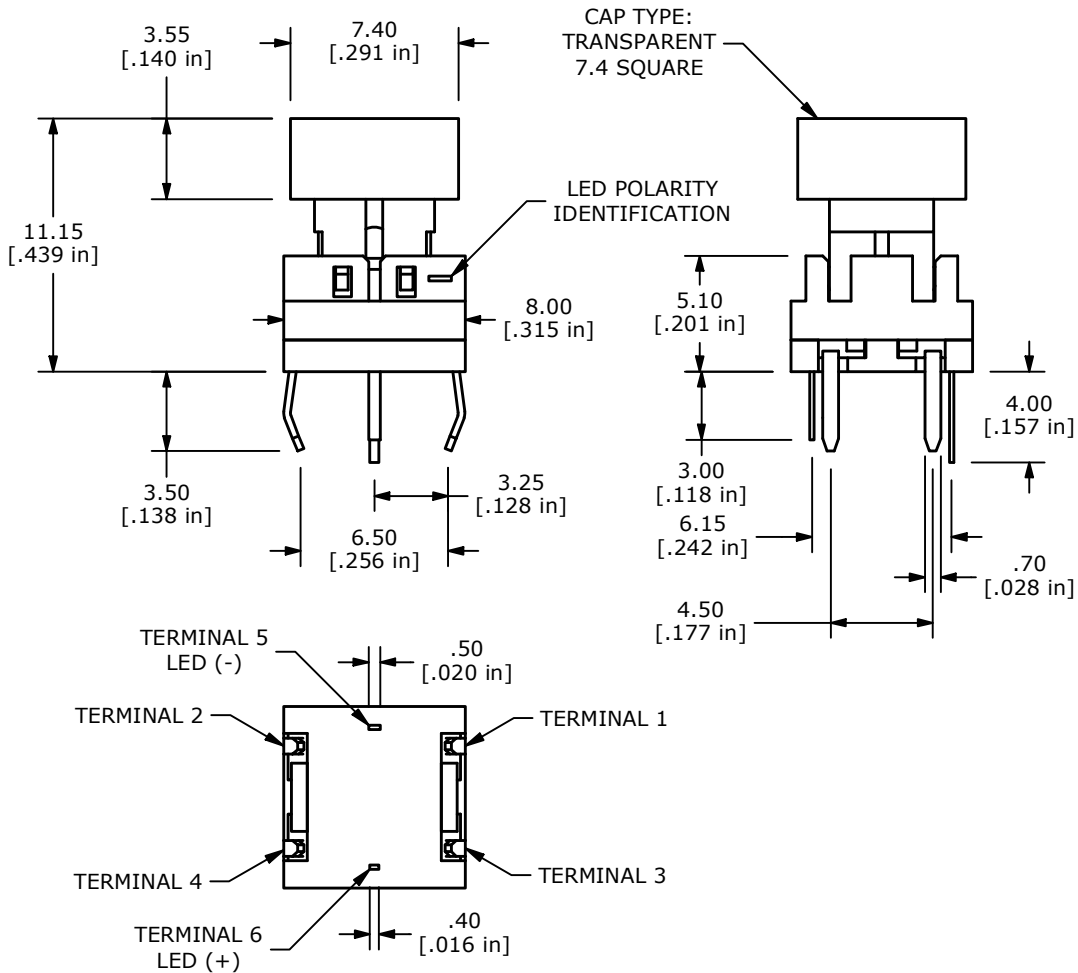
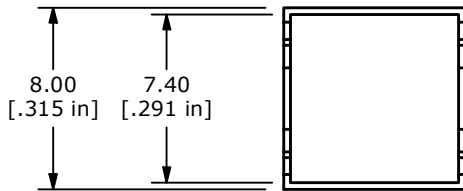
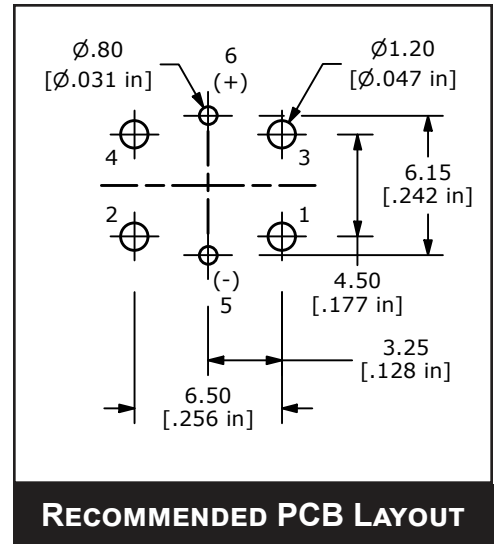
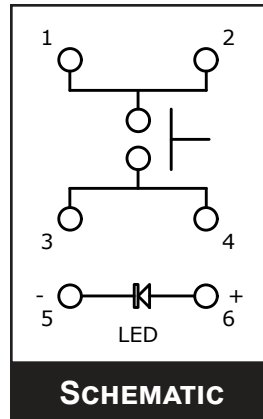
BODY DIMENSIONS B - ACTUATOR

- ANTI-VANDAL SWITCHES
- DETECTOR SWITCHES
- DIP SWITCHES
- KEYLOCK SWITCHES
- NAVIGATION SWITCHES
- PUSHBUTTON SWITCHES
- ROCKER SWITCHES
- ROTARY SWITCHES
- SLIDE SWITCHES
- SNAP ACTION SWITCHES
- TACTILE SWITCHES**
- TOGGLE SWITCHES
- CAP OPTIONS



TL6275 SERIES TACT SWITCH

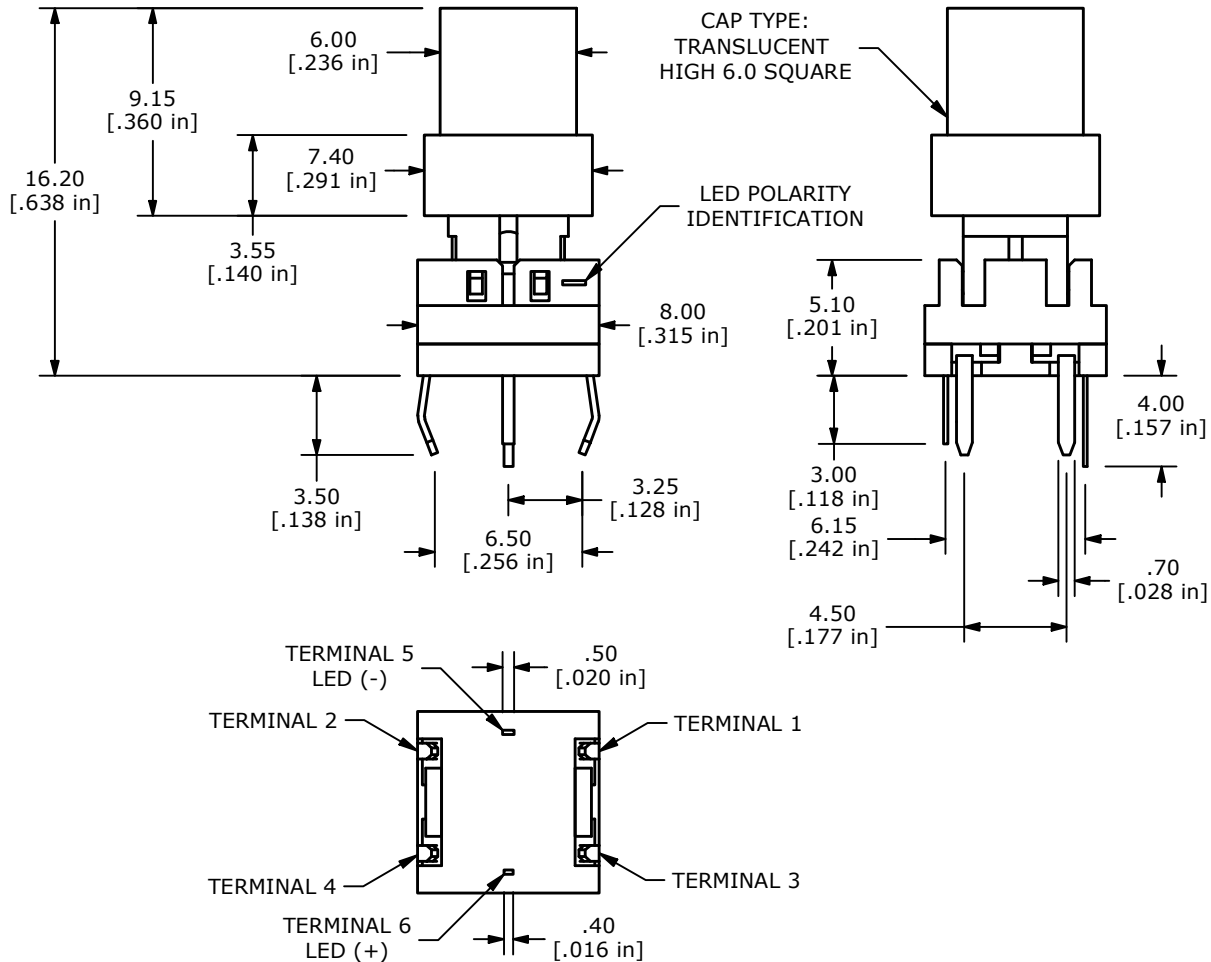
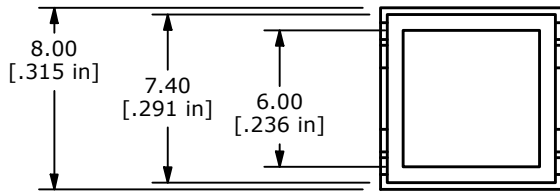
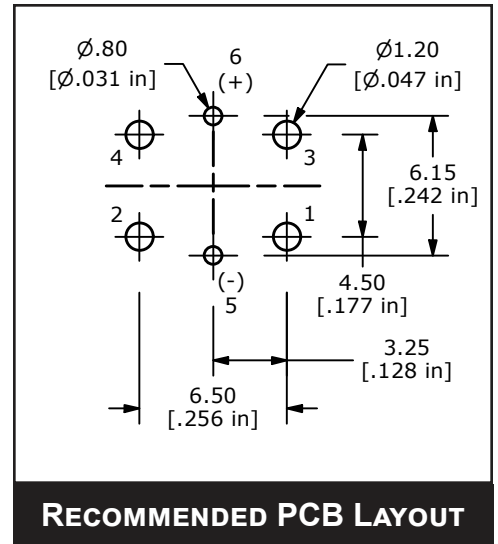
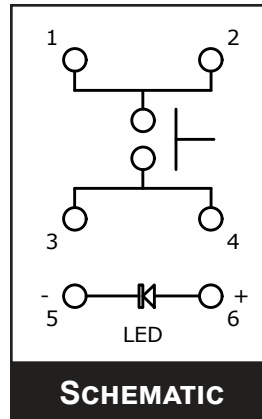
BODY DIMENSIONS
S - TRANSPARENT
7.4 SQUARE



ANTI-VANDAL SWITCHES
 DETECTOR SWITCHES
 DIP SWITCHES
 KEYLOCK SWITCHES
 NAVIGATION SWITCHES
 PUSHBUTTON SWITCHES
 ROCKER SWITCHES
 ROTARY SWITCHES
 SLIDE SWITCHES
 SNAP ACTION SWITCHES
 TACTILE SWITCHES
 TOGGLE SWITCHES
 CAP OPTIONS

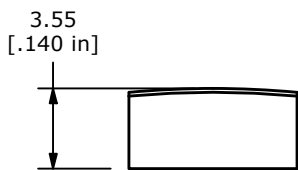
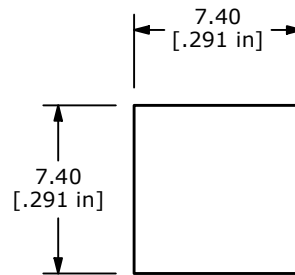
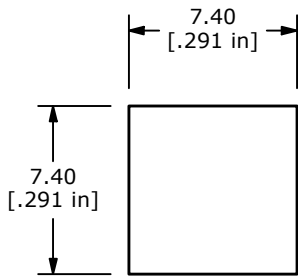
TL6275 SERIES TACT SWITCH

BODY DIMENSIONS T - TRANSLUCENT 6.0 SQUARE



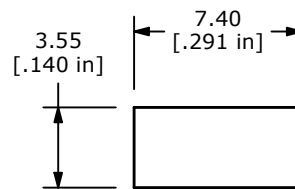
TL6275 SERIES TACT SWITCH

CAP OPTIONS



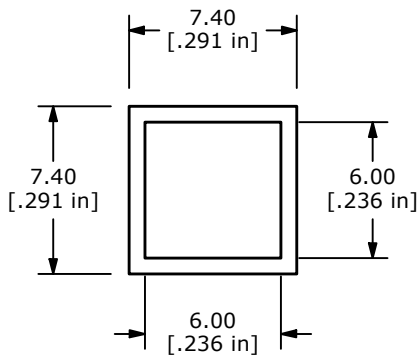
R - Opaque 7.40 Rounded

**R - OPAQUE
7.4 ROUNDED**



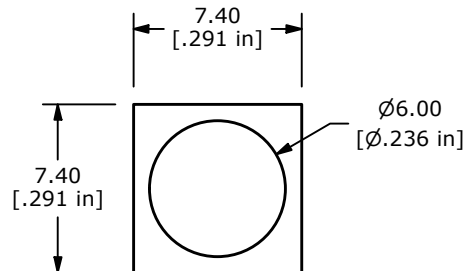
S - Transparent 7.40 Square

**S - TRANSPARENT
7.4 SQUARE**



T - Translucent High 6.00 Square

**T - TRANSLUCENT
HIGH 6.0 SQUARE**



U - Translucent High 6.0 Circle

**U - TRANSLUCENT
HIGH 6.0 CIRCLE**

