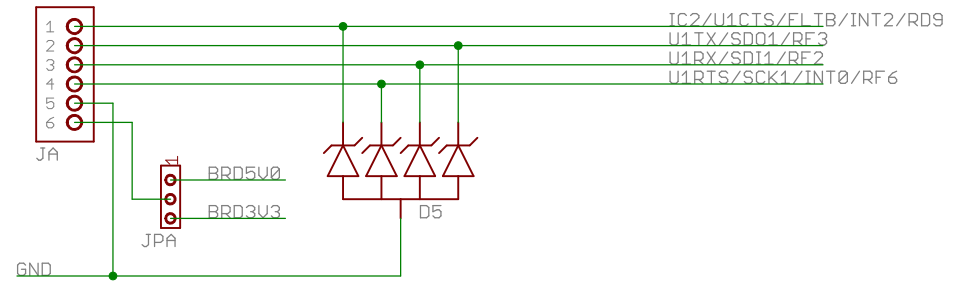
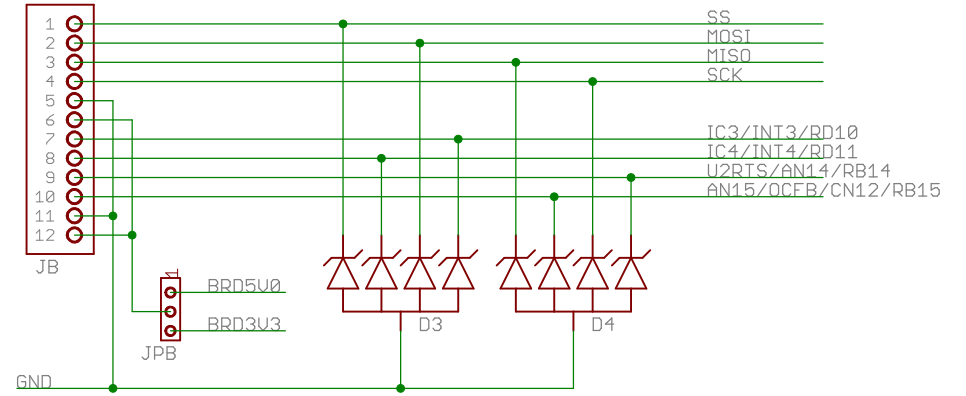
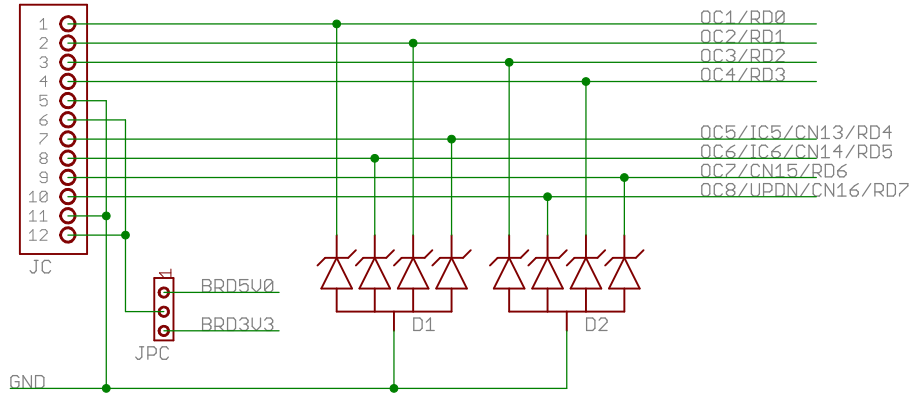


Pmod Connectors



Cerebot MC7

Copyright 2010 Digilent Inc.

Engineer: NEA

SHEET: Pmod Connectors

Author: GMA

TITLE: Cerebot MC7

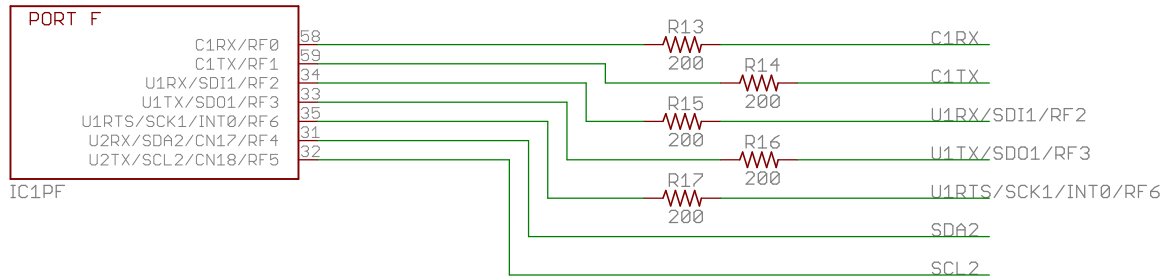
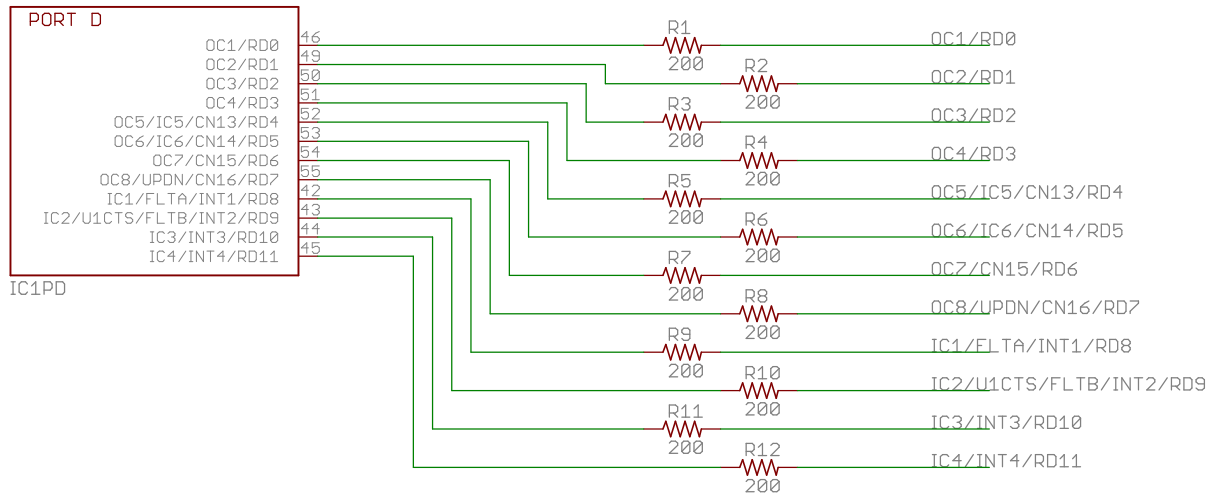
Rev: F

Doc#: 500-185

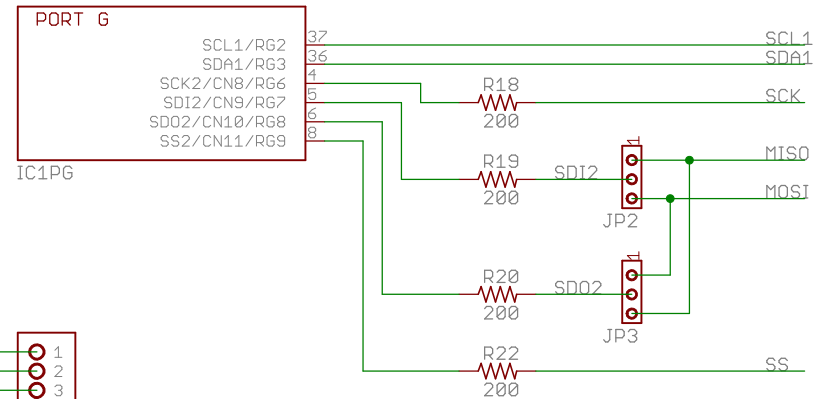
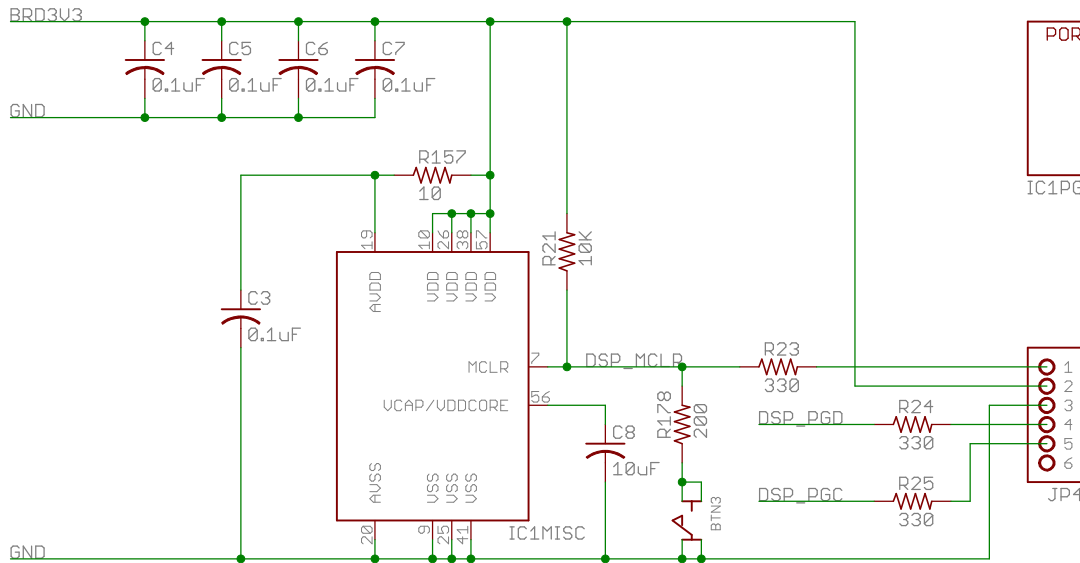
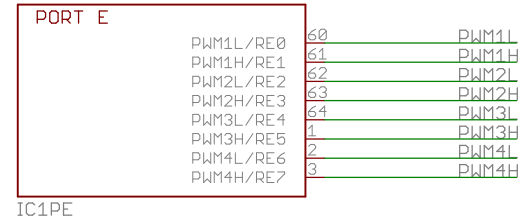
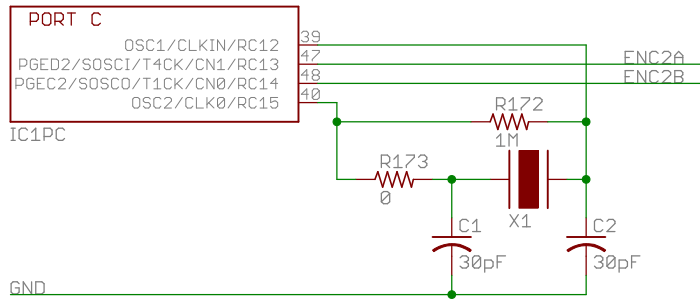
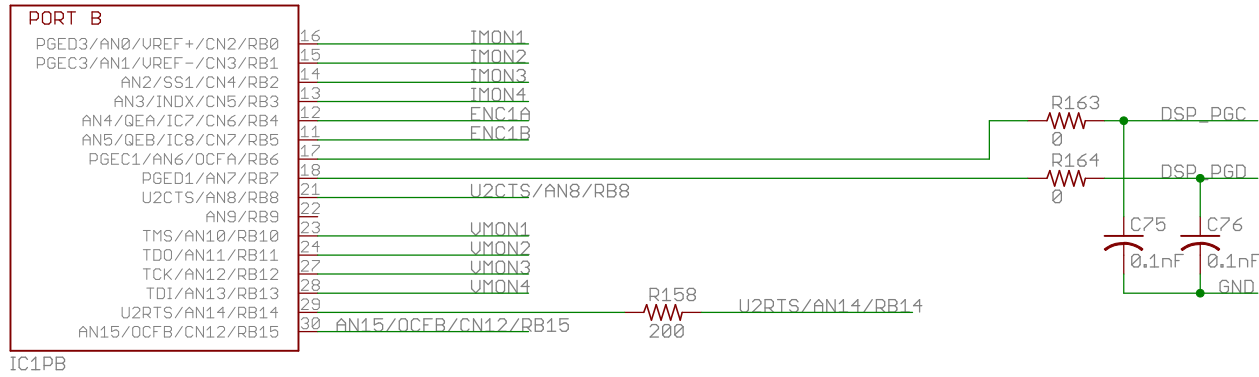
Date: 1/31/2011

Sheet: 1/8





<b>Cerebot MC7</b>			
Copyright 2010 Digilent Inc.		Engineer: NEA	
SHEET: dsPIC33FJ128MC106 Connections		Author: GMA	
TITLE: Cerebot MC7		Rev: F	
Doc#:	500-185	Date:	1/31/2011
			Sheet: 2/8



## Cerebot MC7

Copyright 2010 Digilent Inc.

Engineer: NEA

SHEET: dsPIC33FJ128MC106 Connections

Author: GMA

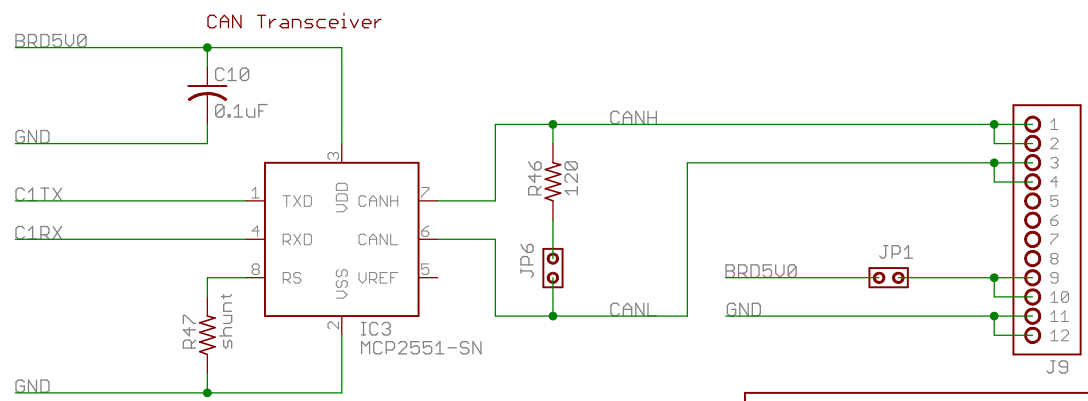
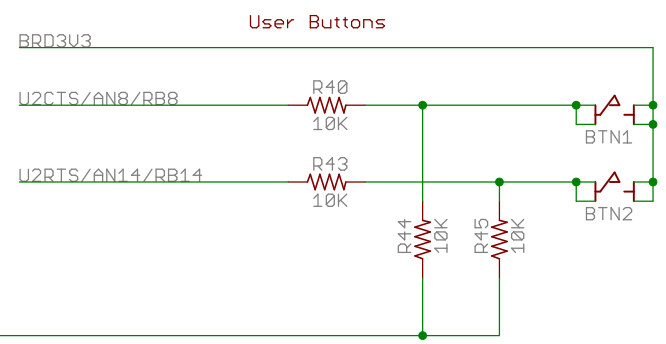
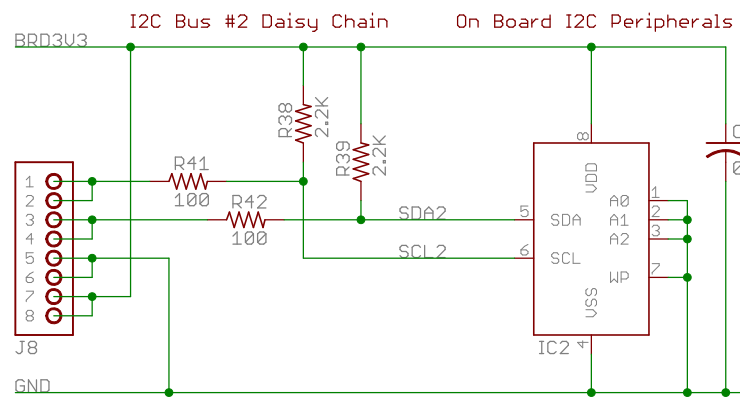
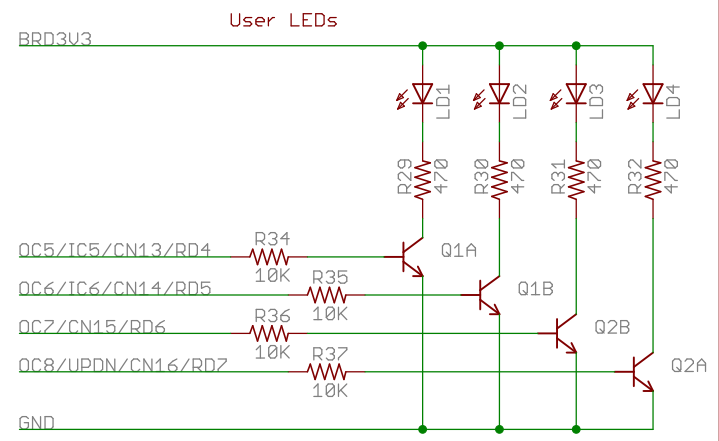
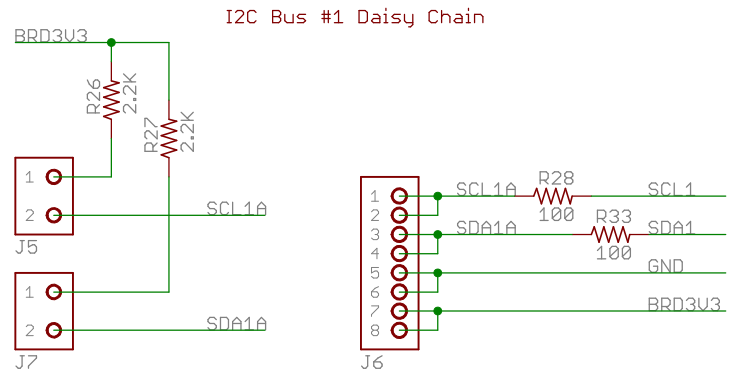
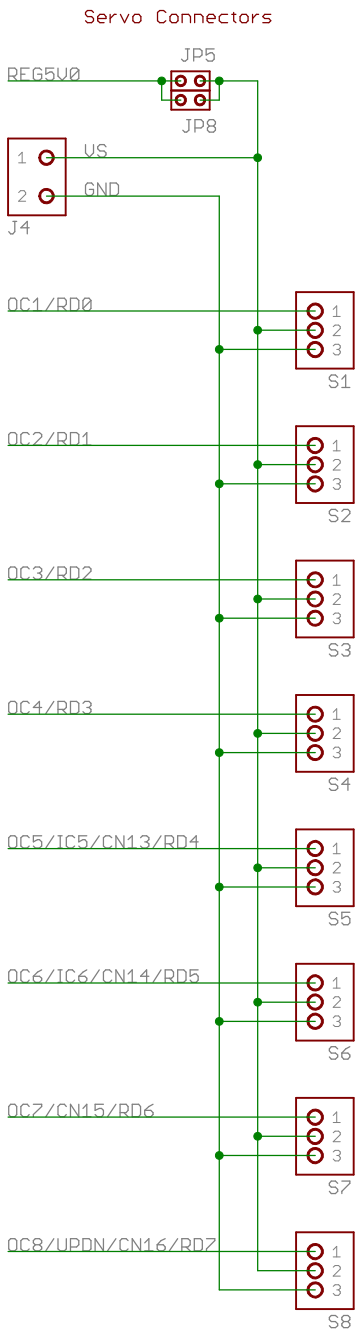
TITLE: Cerebot MC7

Rev: F

Doc#: 500-185

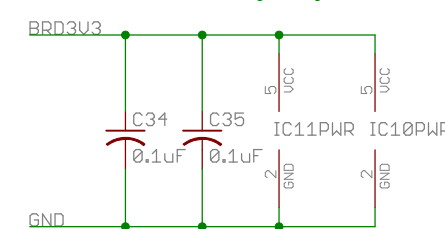
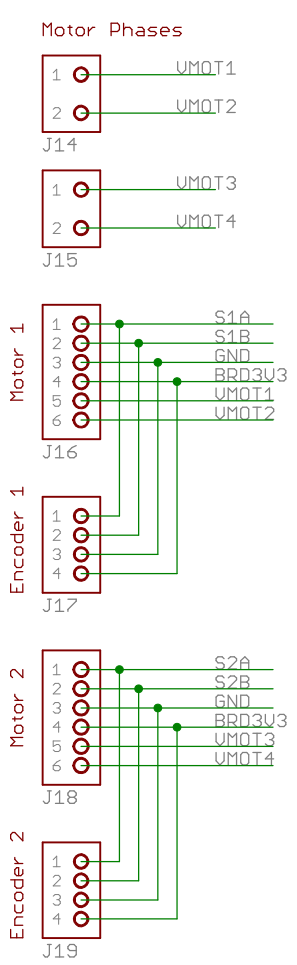
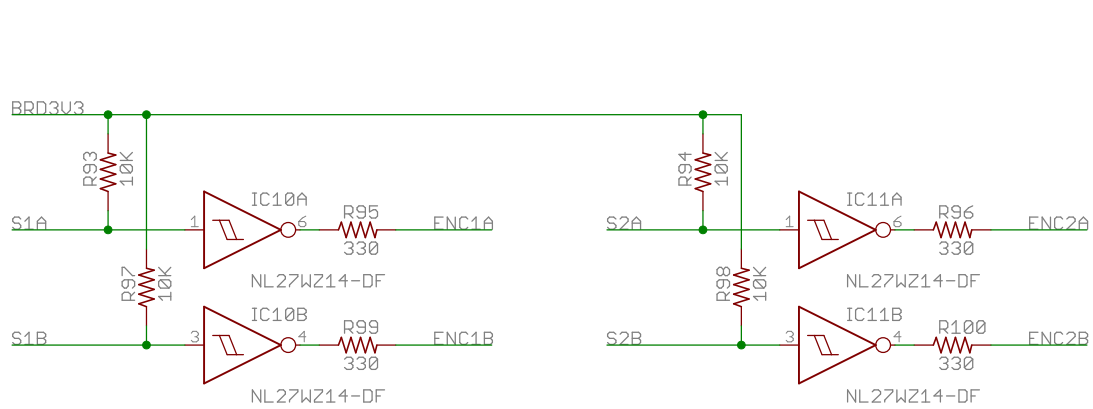
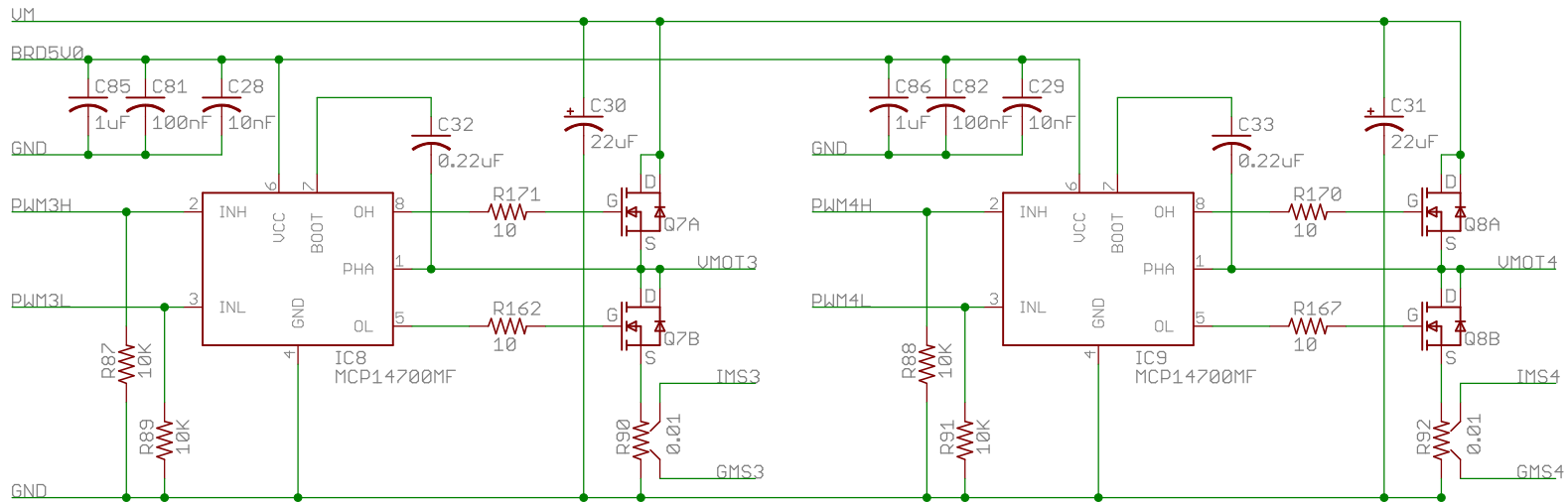
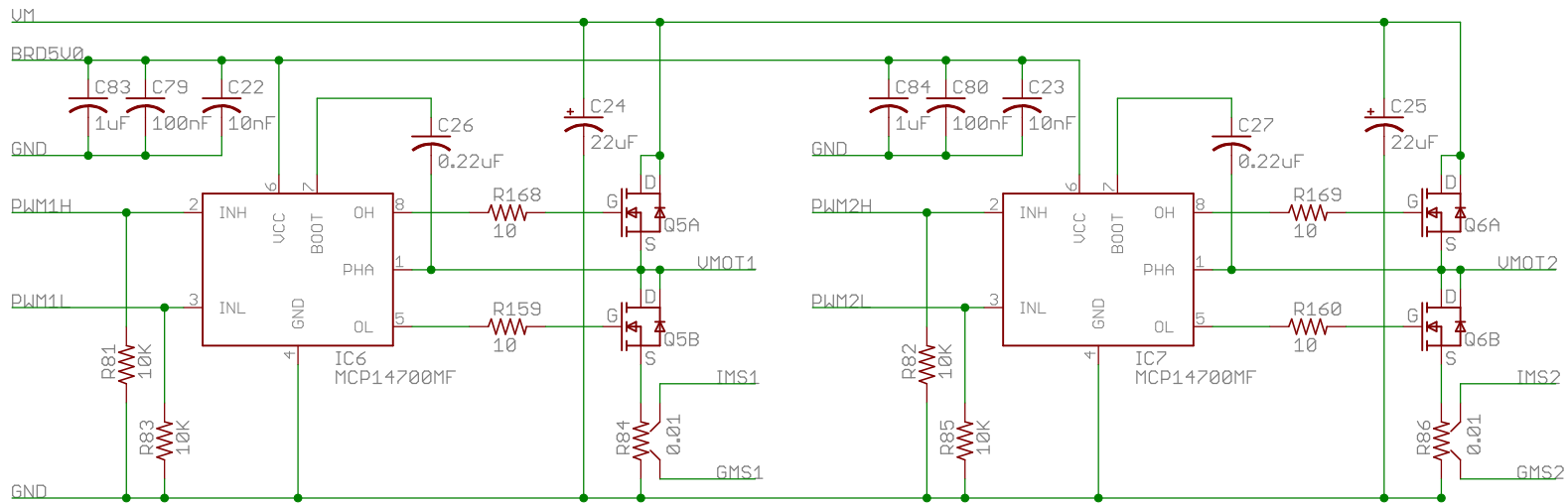
Date: 1/31/2011

Sheet: 3/8

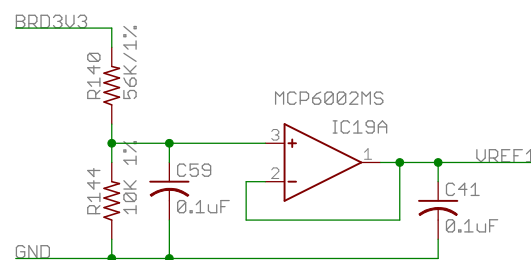
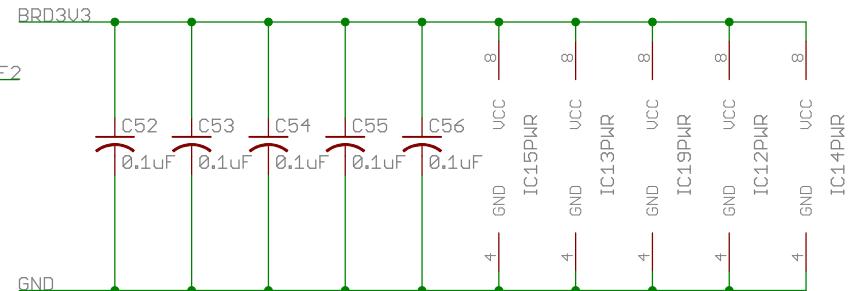
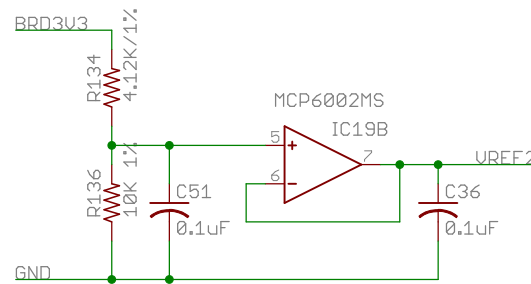
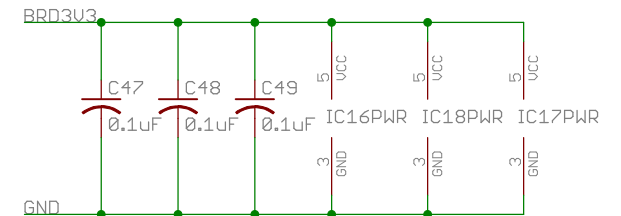
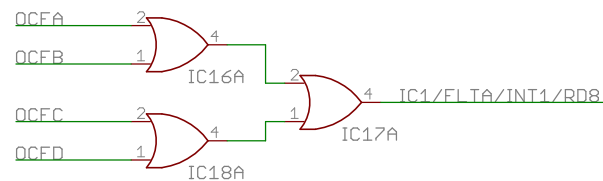
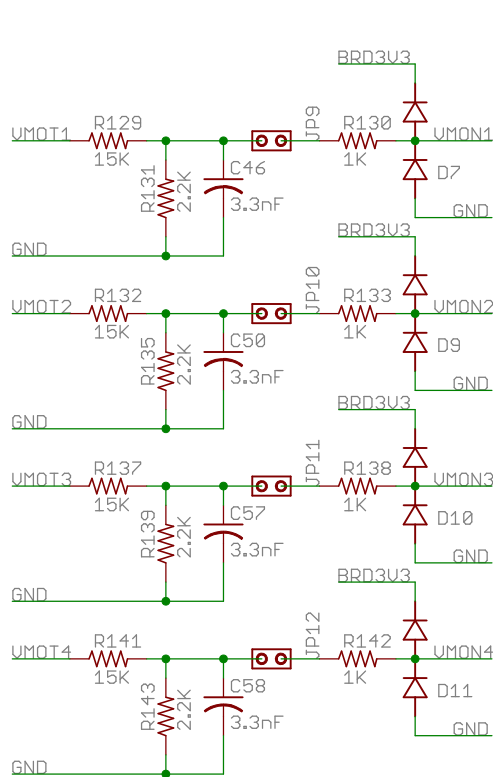
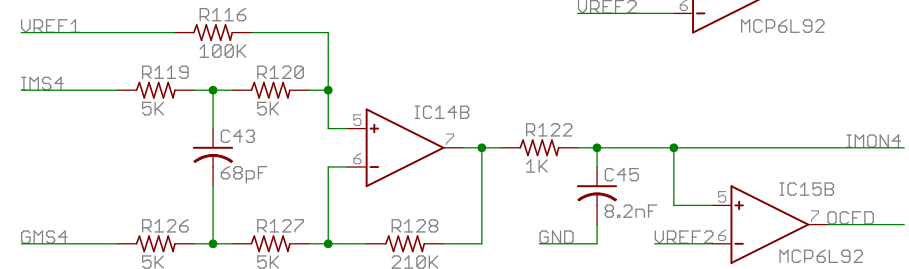
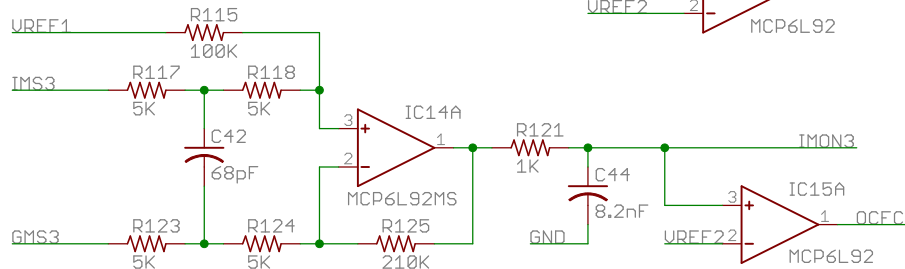
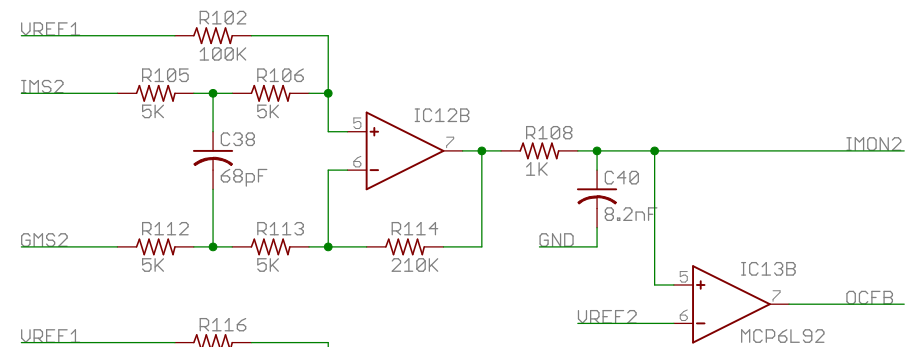
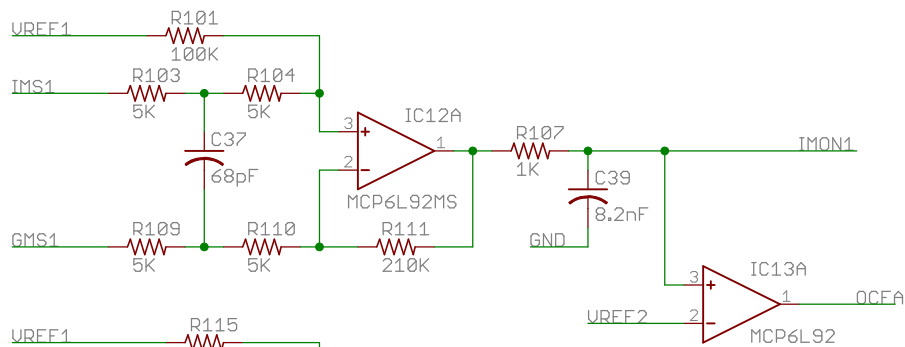


Cerebot MC7		Engineer: NEA
Copyright 2010 Digilent Inc.		Author: GMA
SHEET: Misc. Input/Output	Rev: F	
Doc#: 500-185	Date: 1/31/2011	Sheet: 4/8

**This page intentionally left blank.**



<b>Cerebot MC7</b>		Engineer: NEA
Copyright 2010 Digilent Inc.		Author: GMA
SHEET: Motor Drive Bridges		Rev: F
TITLE: Cerebot MC7		Date: 1/31/2011
Doc#: 500-185	Date: 1/31/2011	Sheet: 6/8



### Cerebot MC7

Copyright 2010 Digilent Inc.

Engineer: NEA

SHEET: Motor Current and Voltage Feedback

Author: GMA

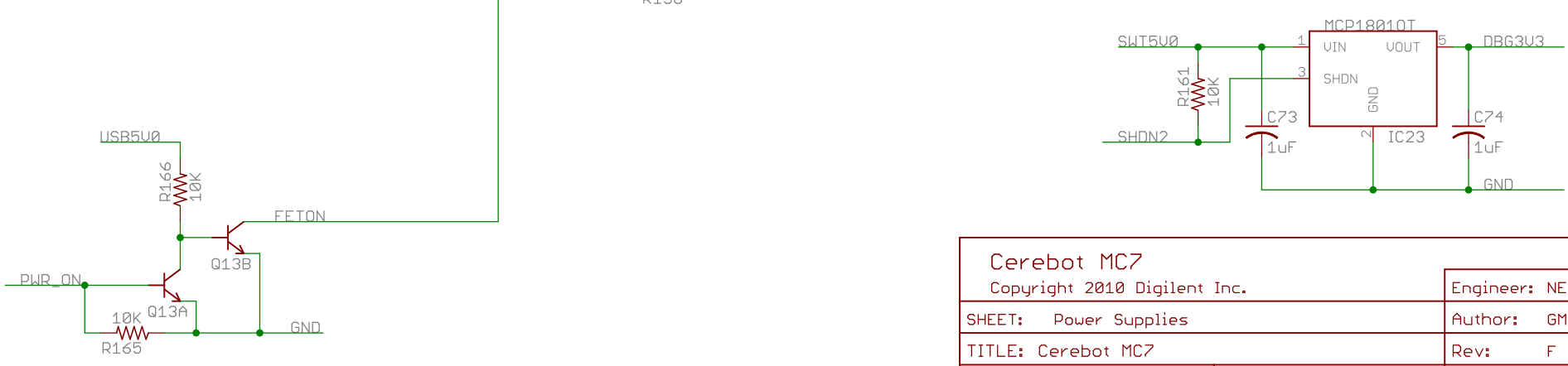
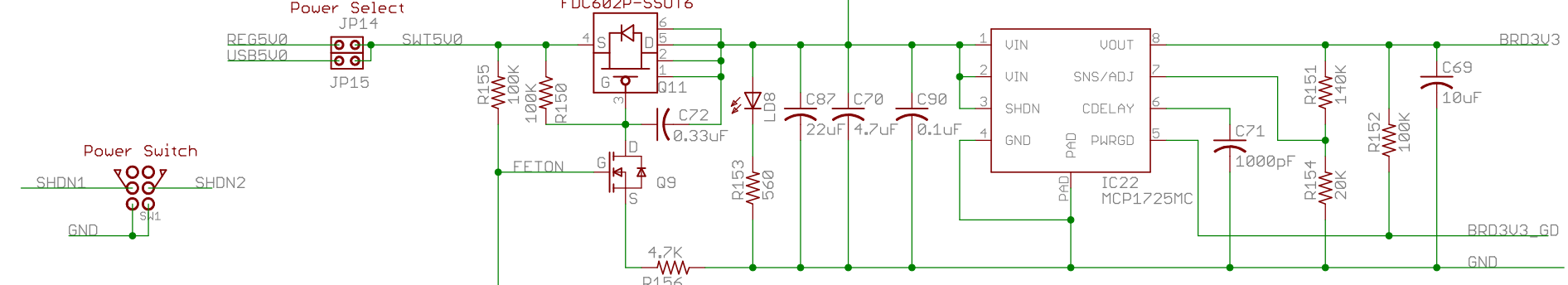
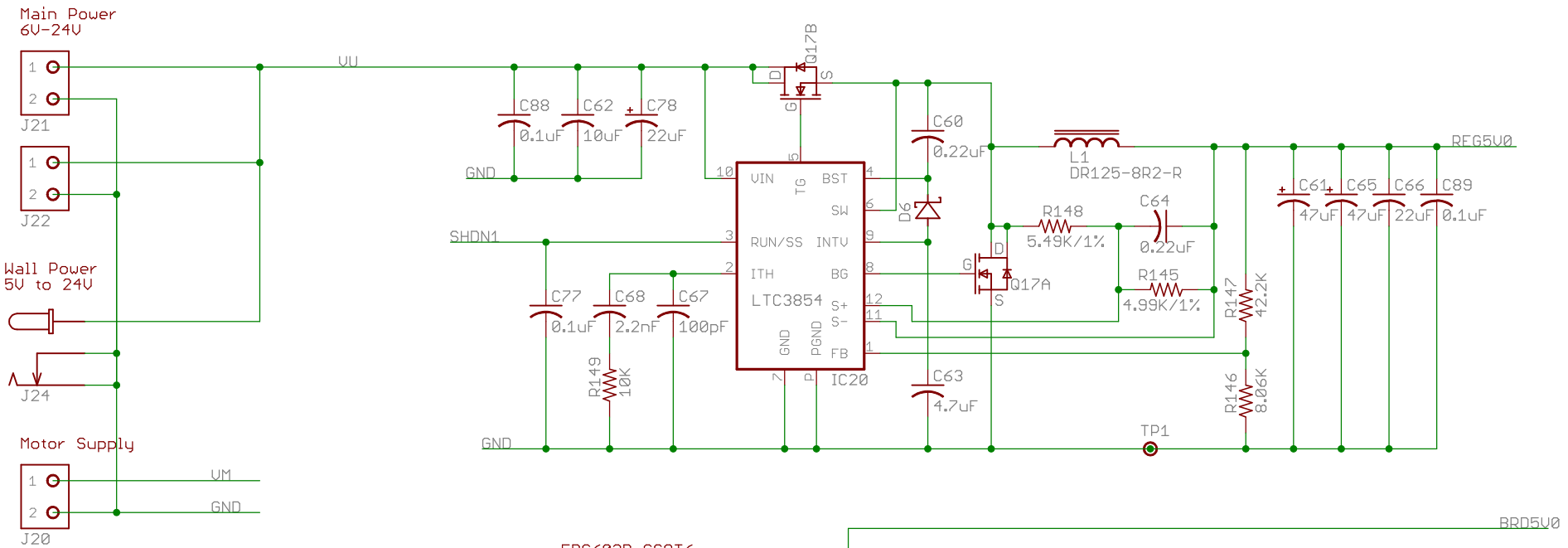
TITLE: Cerebot MC7

Rev: F

Doc#: 500-185

Date: 1/31/2011

Sheet: 7/8



<b>Cerebot MC7</b>		Engineer: NEA
Copyright 2010 Digilent Inc.		Author: GMA
SHEET: Power Supplies		Rev: F
TITLE: Cerebot MC7		Date: 1/31/2011
Doc#: 500-185	Date: 1/31/2011	Sheet: 8/8