

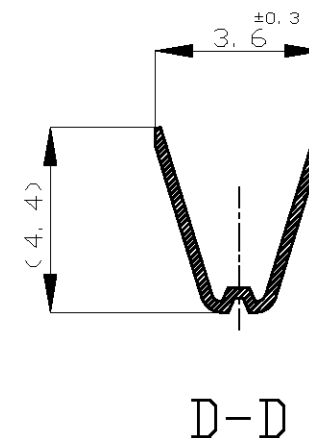
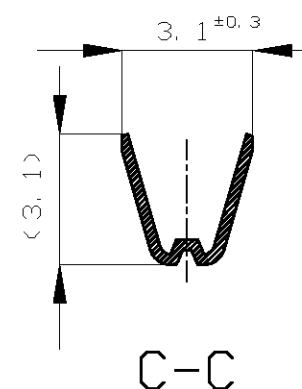
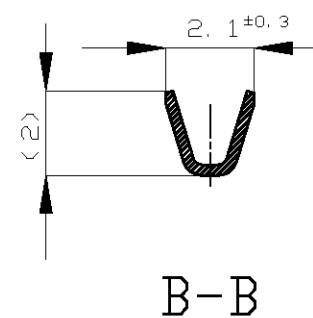
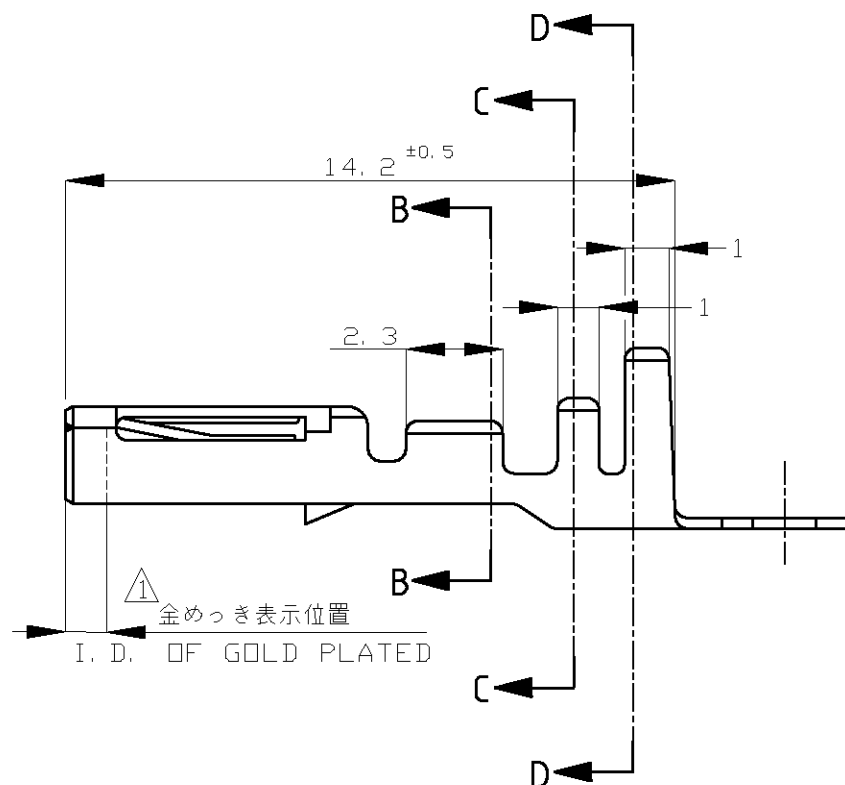
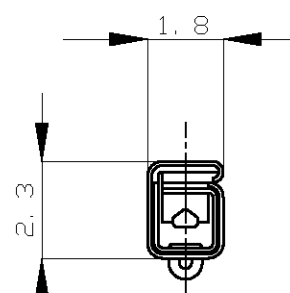
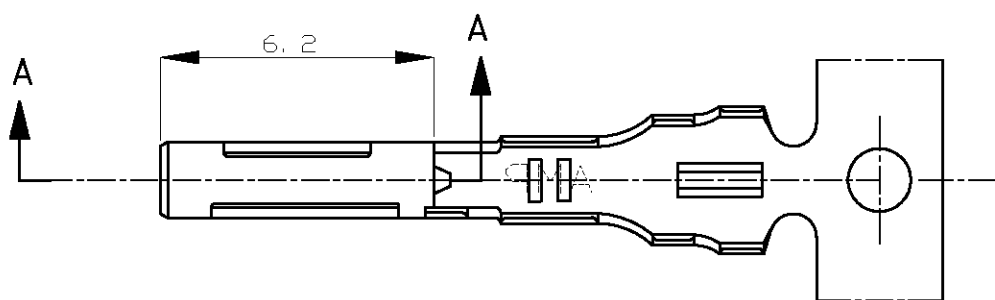
THIS DRAWING IS UNPUBLISHED.

RELEASED FOR PUBLICATION

ALL RIGHTS RESERVED.

© COPYRIGHT - By -

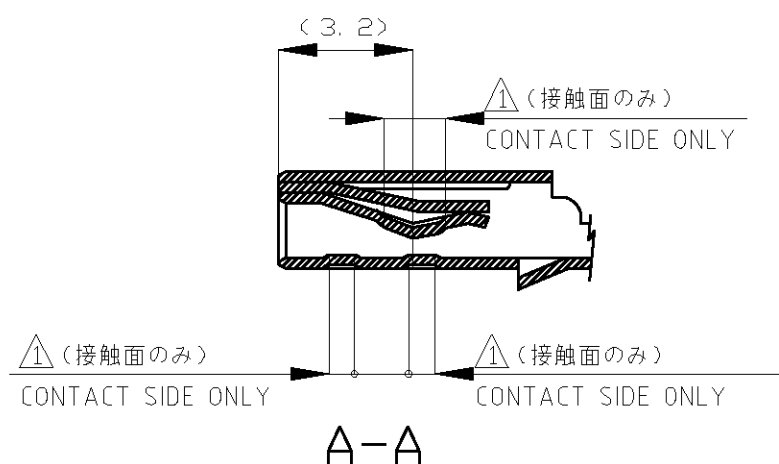
LOC	DIST	REVISIONS					
J	-	P	LTR	DESCRIPTION	DATE	DWN	APVD
		B4	REVISED	ECR-12-015126	27AUG2012	TS	KB



① 金めっき表示位置  
I. D. OF GOLD PLATED

① 部分金めっき  
② 取付適用規格：114-5162

① SELECTIVE GOLD  
② APPLICATION SPEC NO. : 114-5162



① SELECTIVE GOLD 部分金めっき	175180-2
PRE-TINNED 錫めっき済	175180-1
FINISH 仕上げ	PART NO. 製品型番

THIS DRAWING IS A CONTROLLED DOCUMENT.		DWN M.SUGAWARA 01AUG06	<b>STE</b> TE Connectivity	
DIMENSIONS: 単位： 耗 mm		CHK T.SHINOHARA 01AUG06		
TOLERANCES UNLESS OTHERWISE SPECIFIED: 一般公差		APVD K.BETSUI 01AUG06	NAME 名称	
0 < x ≤ 10 : ±0.2		PRODUCT SPEC 製品規格	040 SERIES RECEPTACLE CONTACT	
10 < x ≤ 30 : ±0.25		APPLICATION SPEC 取付適用規格	SIZE A3	CAGE CODE 00779
30 < x ≤ 100 : ±0.3		FINISH 仕上	DRAWING NO. C-175180	RESTRICTED TO
ANGLE ; 角度 ±3°		MATERIAL 材料 THICKNESS 板厚 ; 0.25	SCALE 尺度 5:1	SHEET 1 OF 1
		SEE TABLE	CUSTOMER DRAWING	REV B4