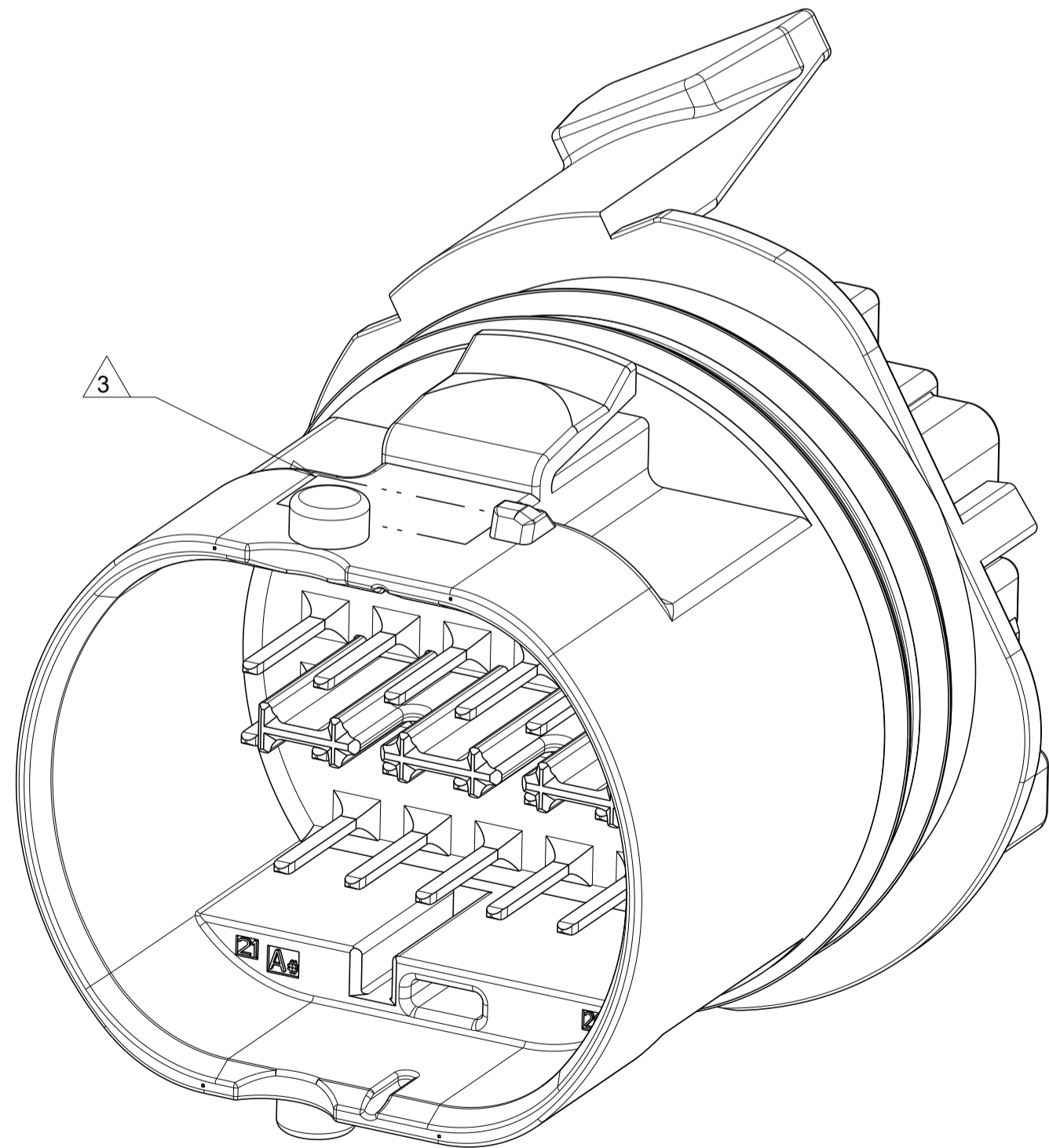
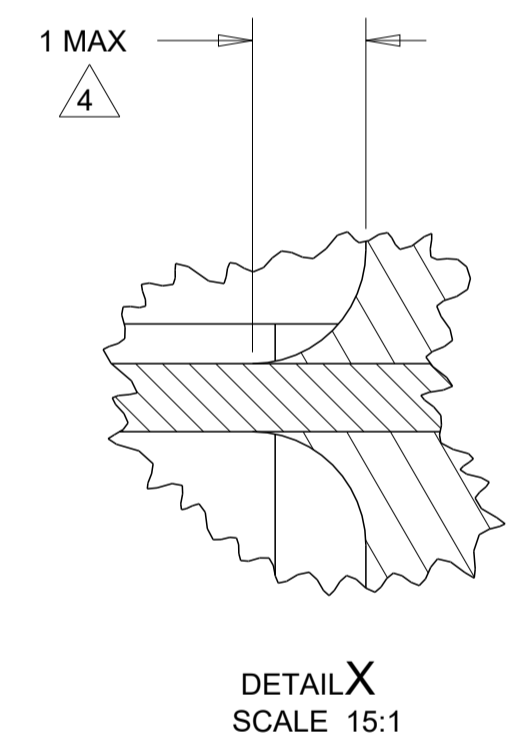
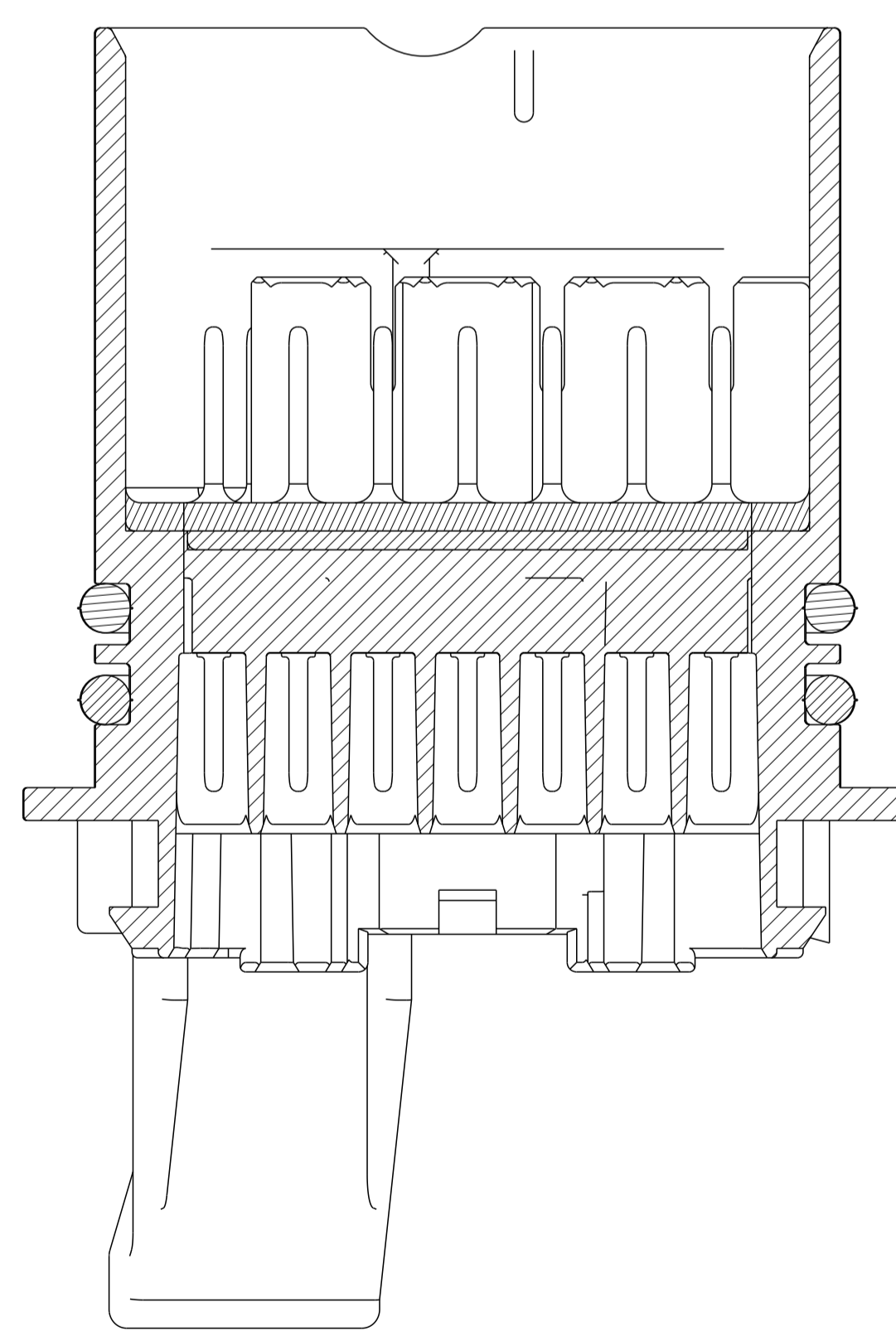
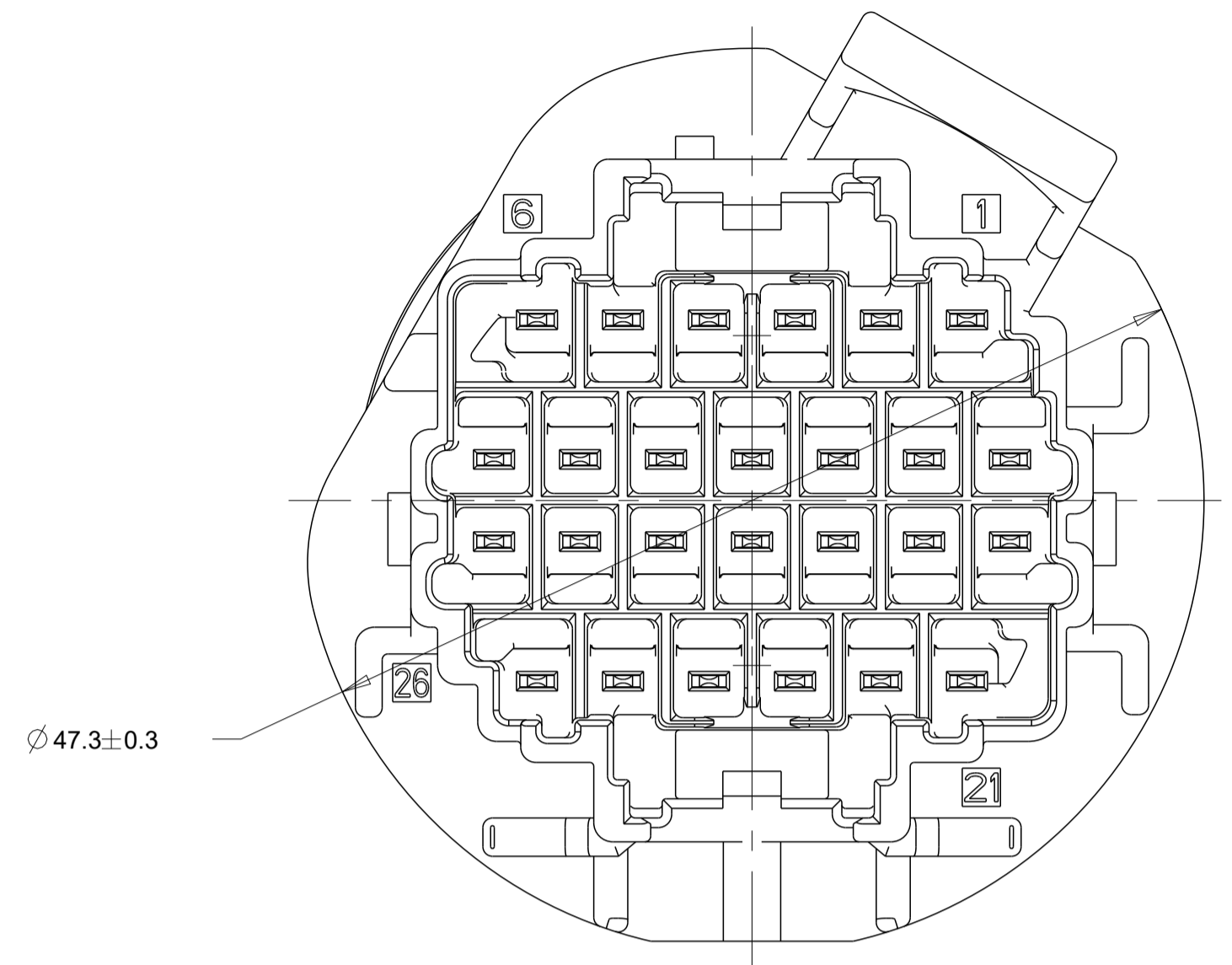
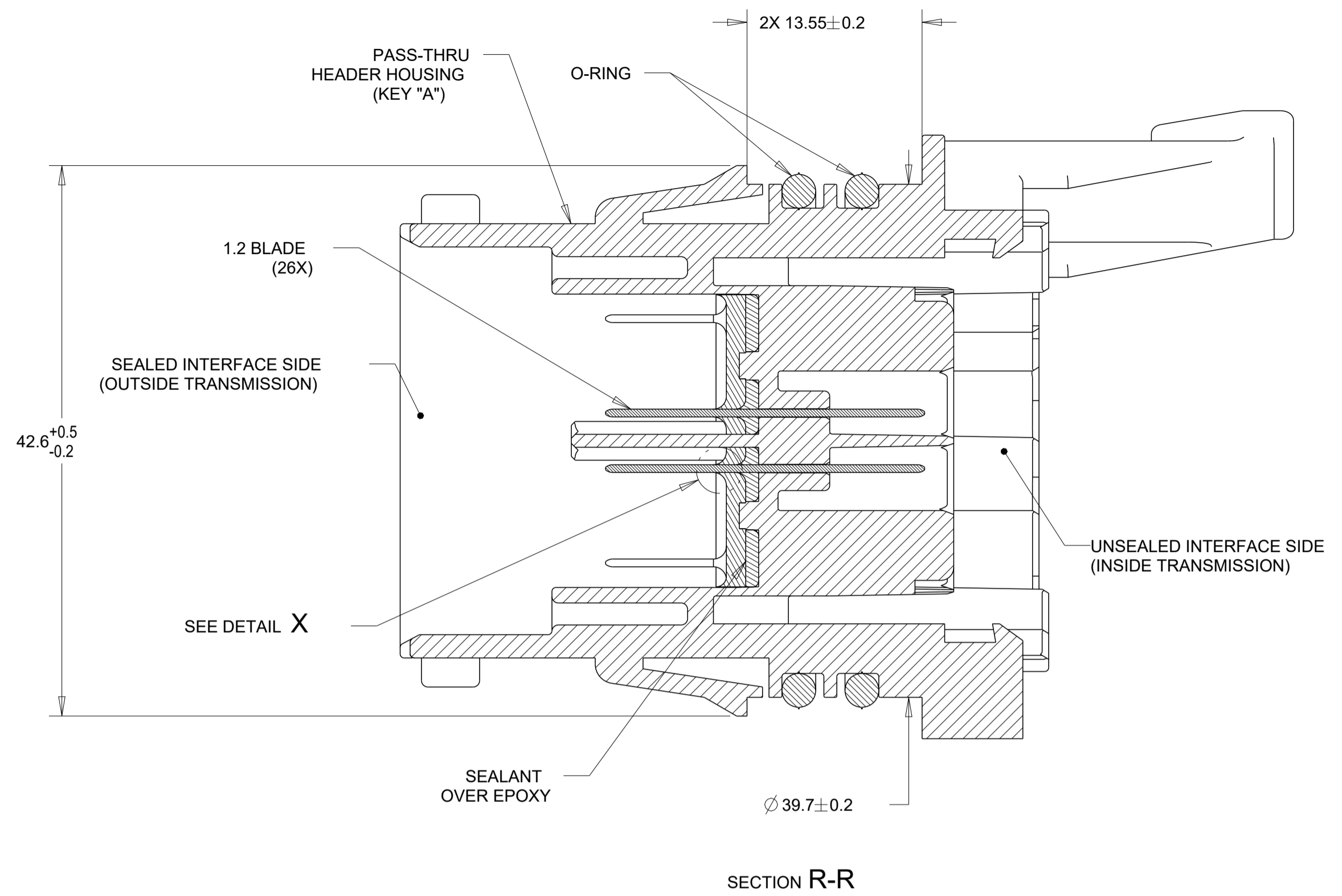
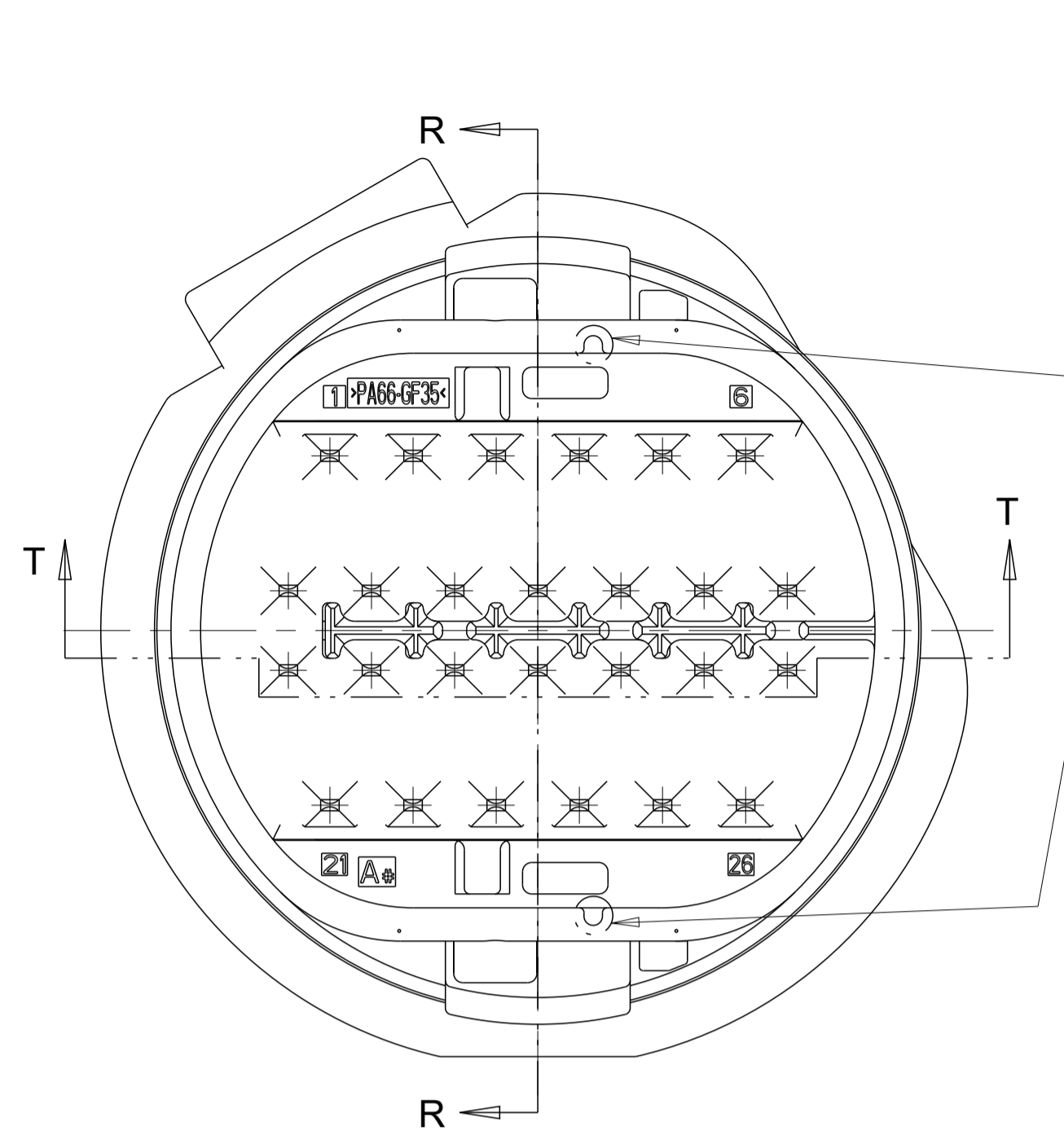


REVISIONS					
P	LTR	DESCRIPTION	DATE	DWN	APP'D
A		RELEASE	12NOV2015	AJV	AJV
B		REV PER ECO-16-007597	19MAY2016	MBH	AJV
B1		REV PER ECO-16-013980	05OCT2016	AJV	AJV
B2		REVISED PER ECO-18-003248	02MAR2018	JMS	GK



- MATERIAL:**
 HEADER HOUSING: NYLON 6/6, 35% GLASS-FILLED
 COLOR: NATURAL (BROWN)

 SEALANT: EPOXY WITH LOCTITE 5031 LAYER ON TOP
 (OUTSIDE TRANSMISSION)

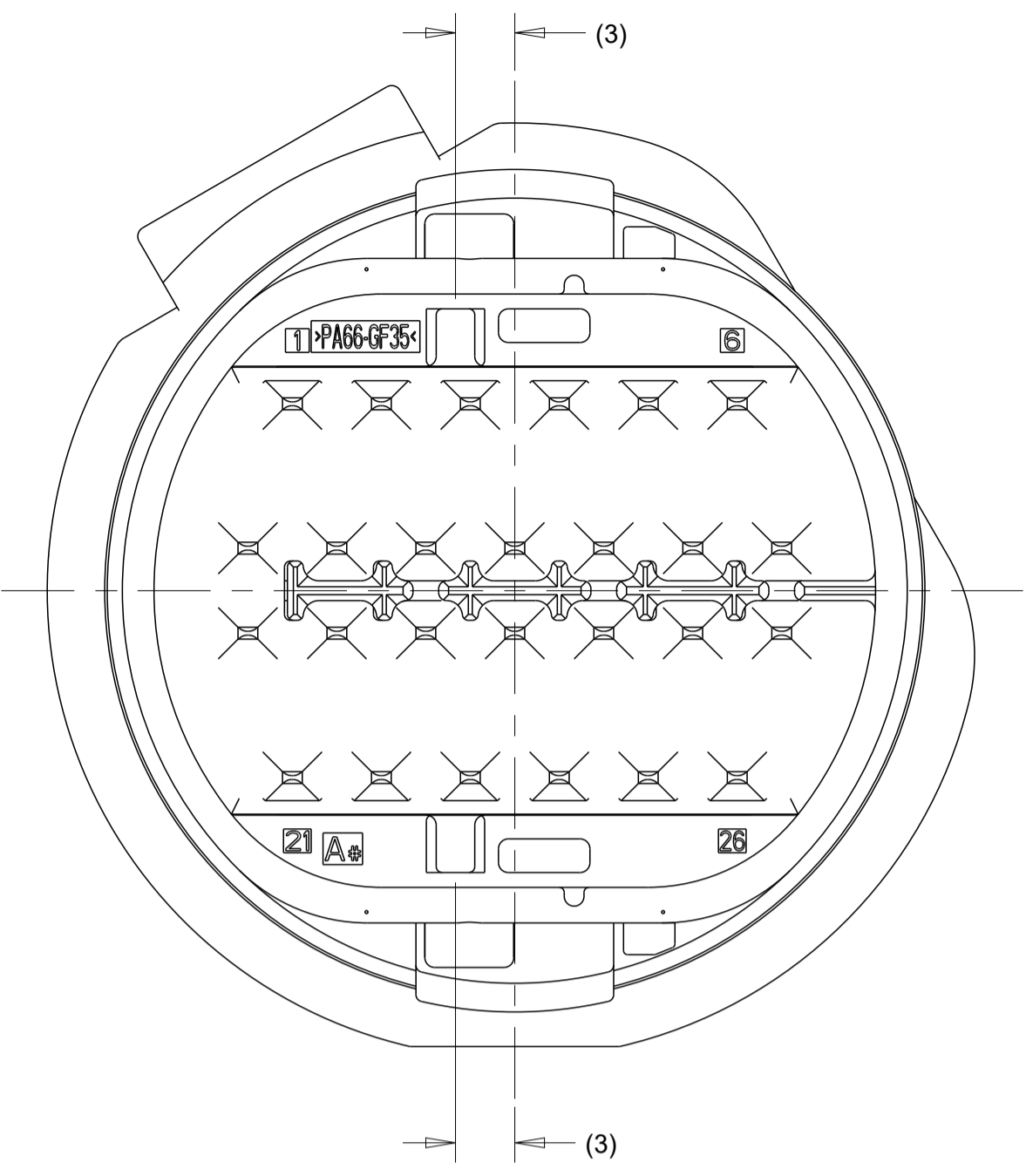
 O-RING: ETHYLENE ACRYLATE ELASTOMER (AEM)
 COLOR: BLACK

 BLADE MATERIAL: COPPER ALLOY
 BLADE FINISH: SEALED INTERFACE: SILVER ON ALL EXCEPT SELECT
 GOLD CIRCUITS (SEE TABLE)
 UNSEALED INTERFACE: TIN ON ALL EXCEPT SELECT
 GOLD CIRCUITS (SEE TABLE)
- THIS HEADER ASSEMBLY IS DESIGNED TO MATE WITH**
 SEALED PLUG ASSY: 2203973
 UNSEALED PLUG ASSY: 2203990-1 & -2
- TE ASSY PART NUMBER AND JULIAN DATE CODE**
 (YY-DDD-HH-MM) TO BE PERMANENTLY MARKED ON
 THE CONNECTOR, LOCATED APPROX AS SHOWN
- SEALANT MAY WICK UP THE TERMINALS, 1.0 MAX AS SHOWN**

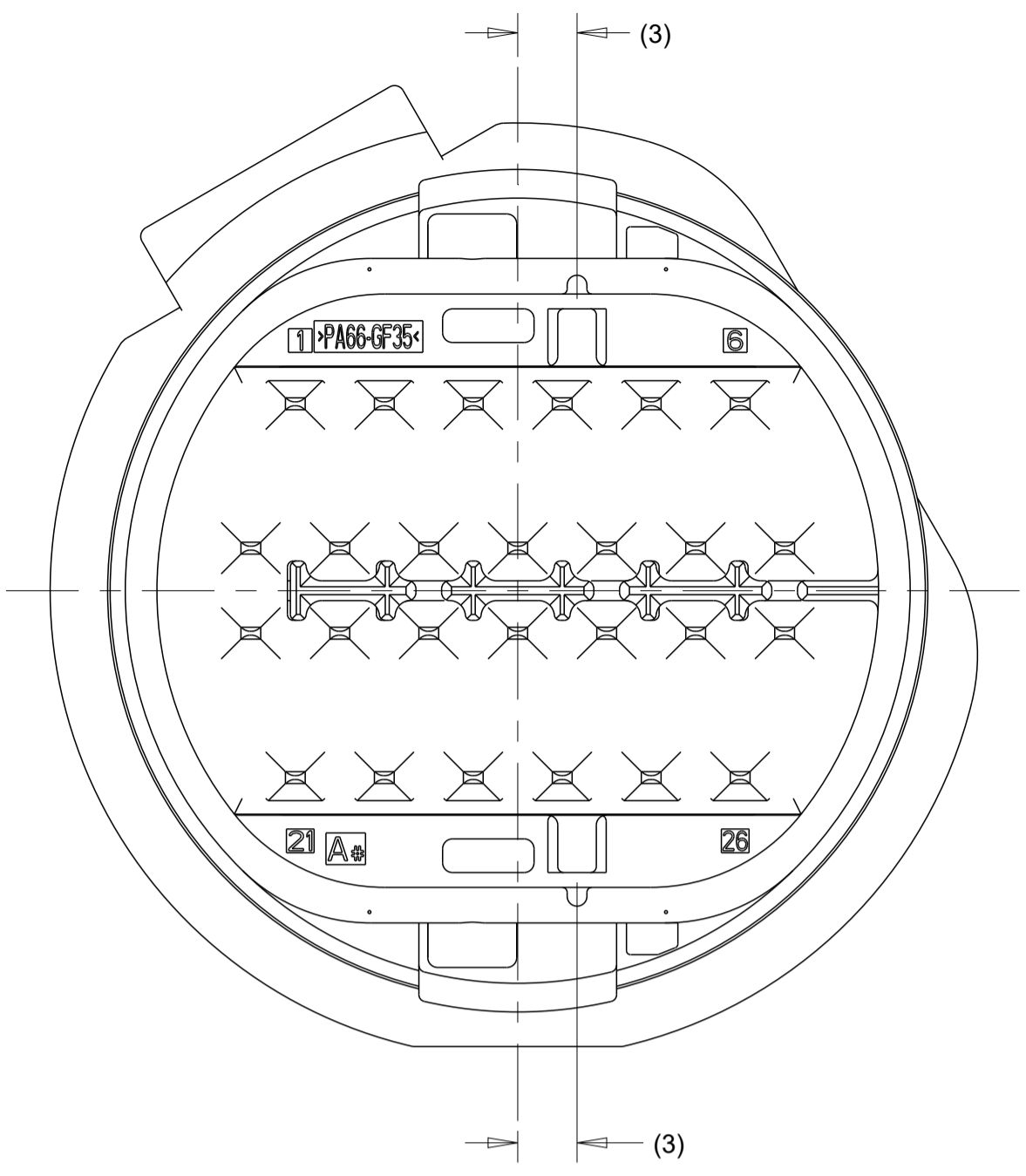
SIZE	CAGE CODE	DRAWING NO	RESTRICTED TO	
5,6	TOOLED	A	1-2297721-1	
1-6,12,13	TOOLED	A	2297721-6	
5,6	TOOLED	A	2297721-5	
5,6	NOT TOOLED	D	2297721-4	
5,6	NOT TOOLED	C	2297721-3	
5,6	NOT TOOLED	B	2297721-2	
	OBSELETE	A	2297721-1	
GOLD PLATED CIRCUIT LOCATIONS		STATUS	KEYING OPTION	TE PART #

THIS DRAWING IS A CONTROLLED DOCUMENT.		DWN A. VASBINDER 12NOV2015		
DIMENSIONS:	TOLERANCES UNLESS OTHERWISE SPECIFIED:	CHK A. VASBINDER 12NOV2015	NAME	26P SEALED PASS THRU (MCON 1.2) TRANSMISSION HEADER ASSEMBLY
mm	0 PLC ± 1 PLC ±0.3 2 PLC ±0.1 3 PLC ± 4 PLC ±	APP'D R. HETRICK 12NOV2015	PRODUCT SPEC	
	FINISH	APPLICATION SPEC	SIZE	CAGE CODE
MATERIAL SEE NOTE 1	408-32149	WEIGHT	A1	2297721
Customer Drawing		SCALE	3:1	SHEET 1 OF 3

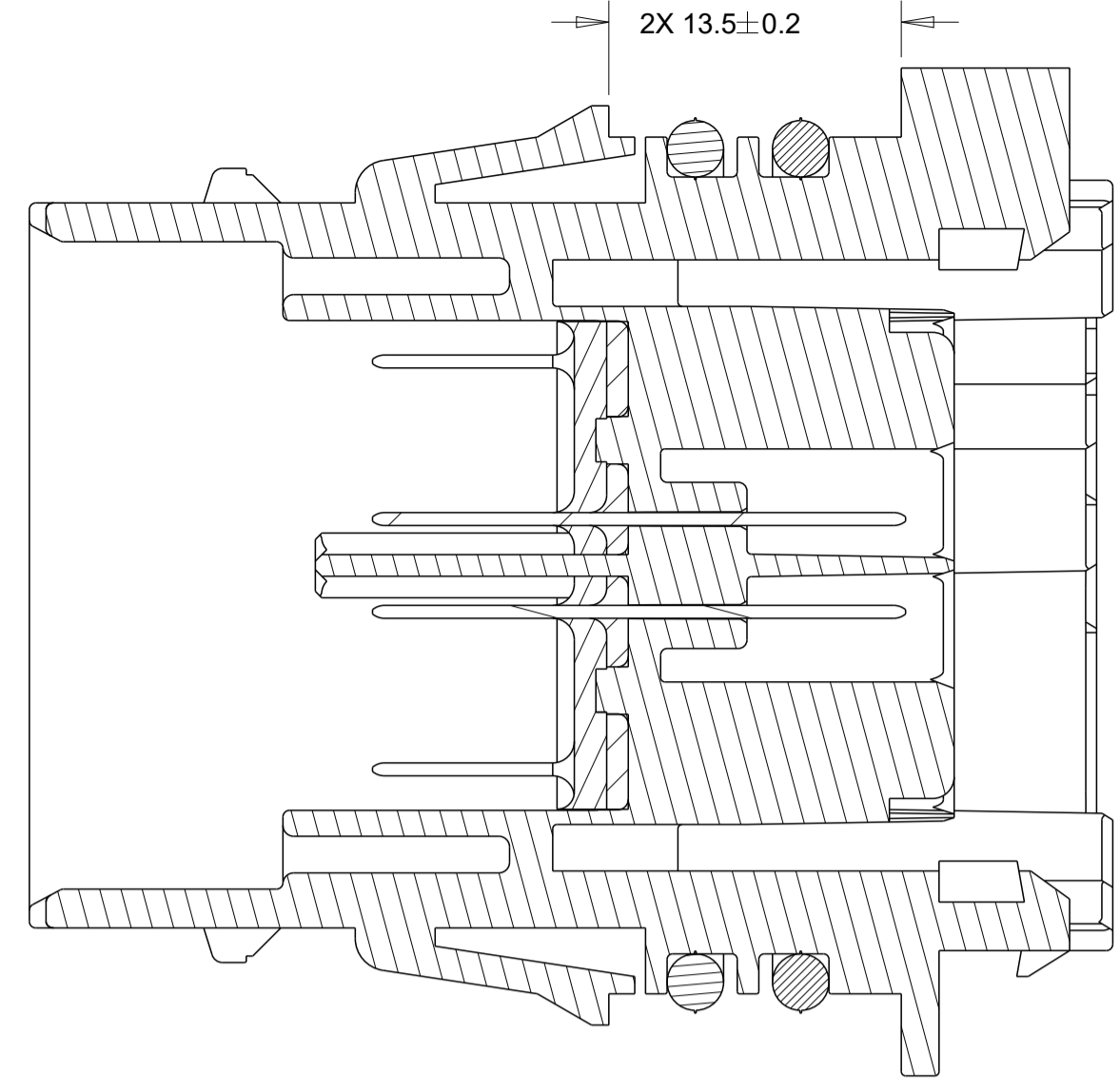
REVISIONS				
P	LTR	DESCRIPTION	DATE	APVD
-		SEE SHEET 1	-	-



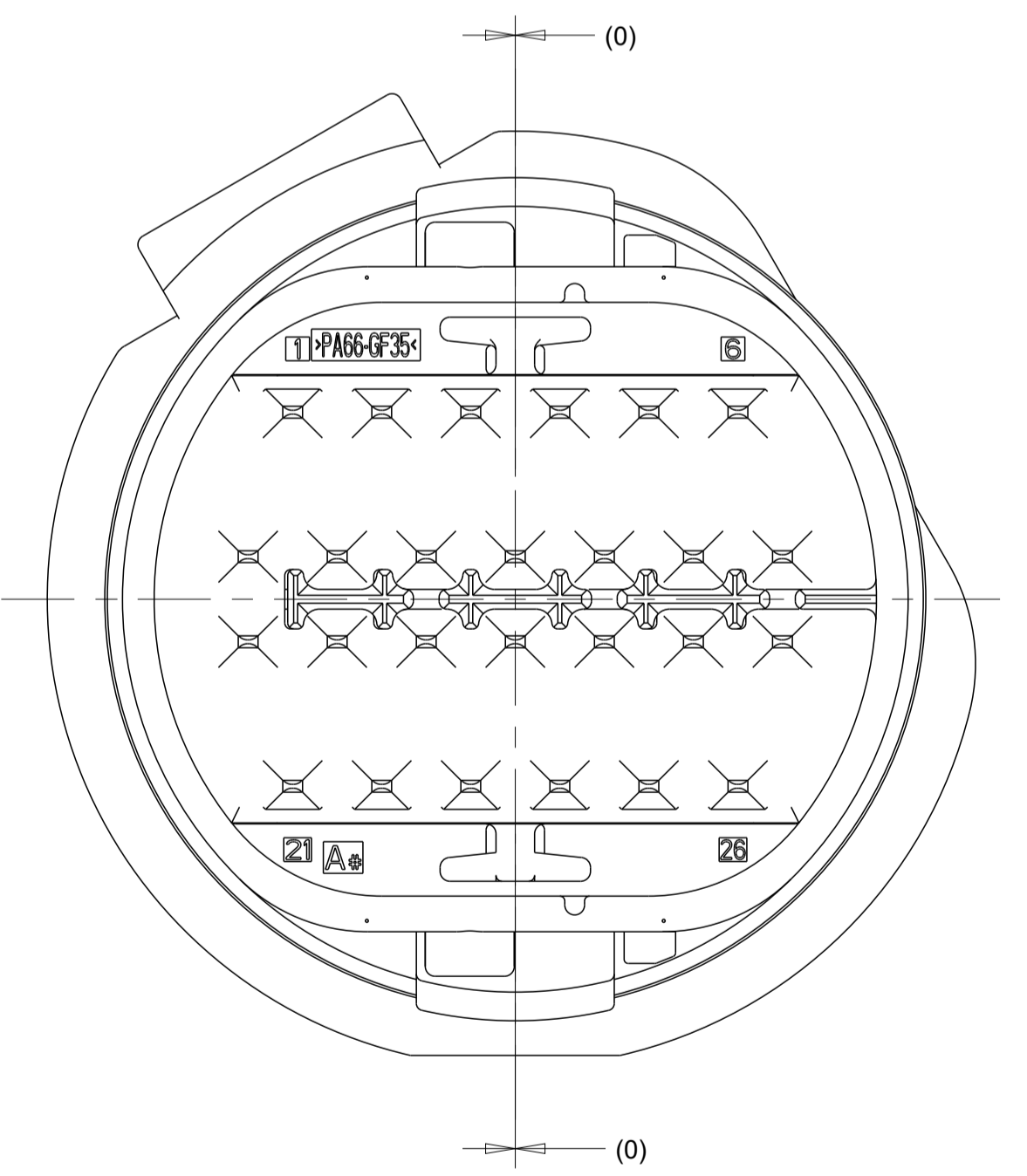
1-2297721-1, 2297721-5, 2297721-6
KEYING OPTION "A"
 SCALE 3:1



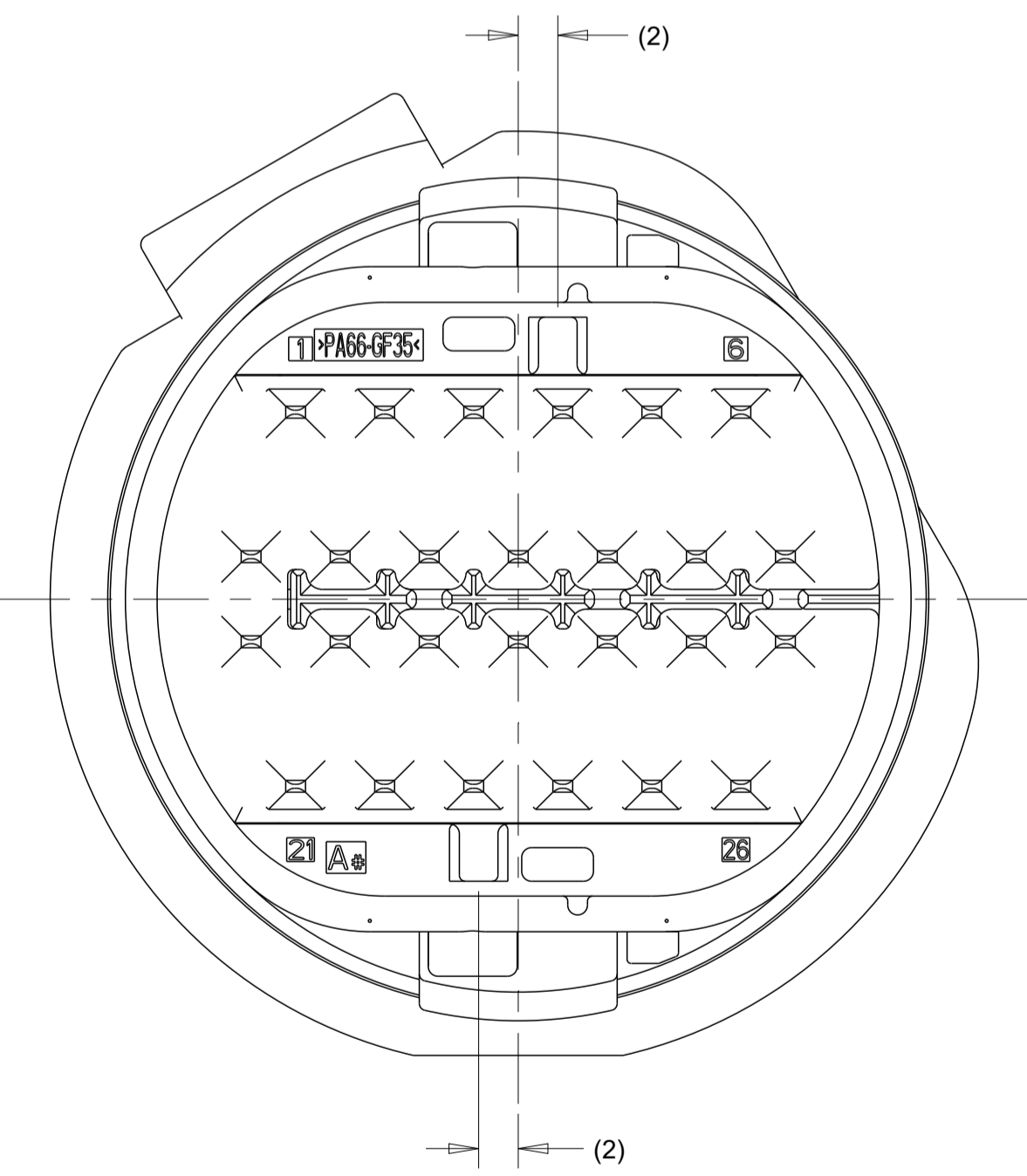
2297721-2
KEYING OPTION "B"
 SCALE 3:1



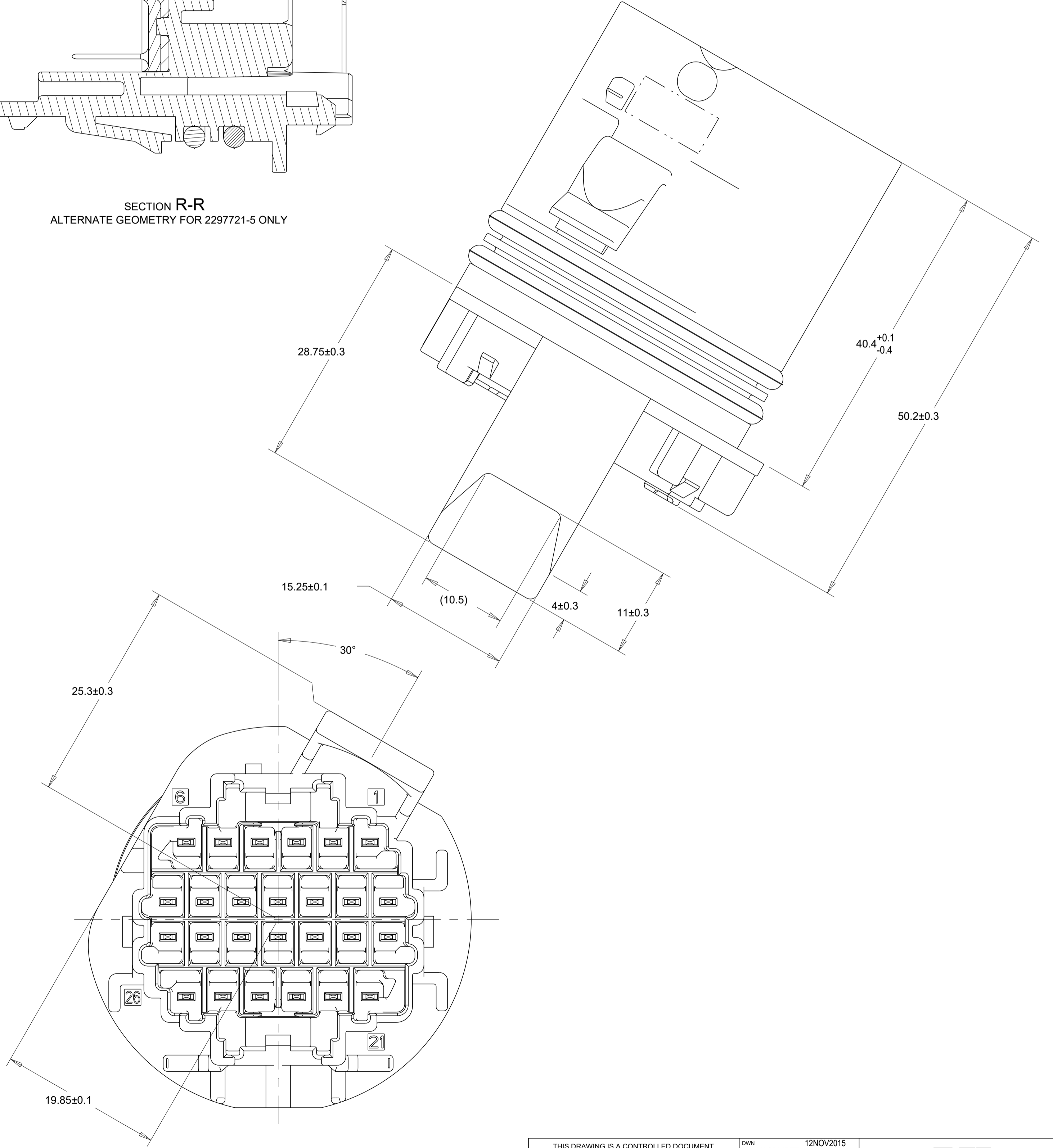
SECTION R-R
 ALTERNATE GEOMETRY FOR 2297721-5 ONLY



2297721-3
KEYING OPTION "C"
 SCALE 3:1



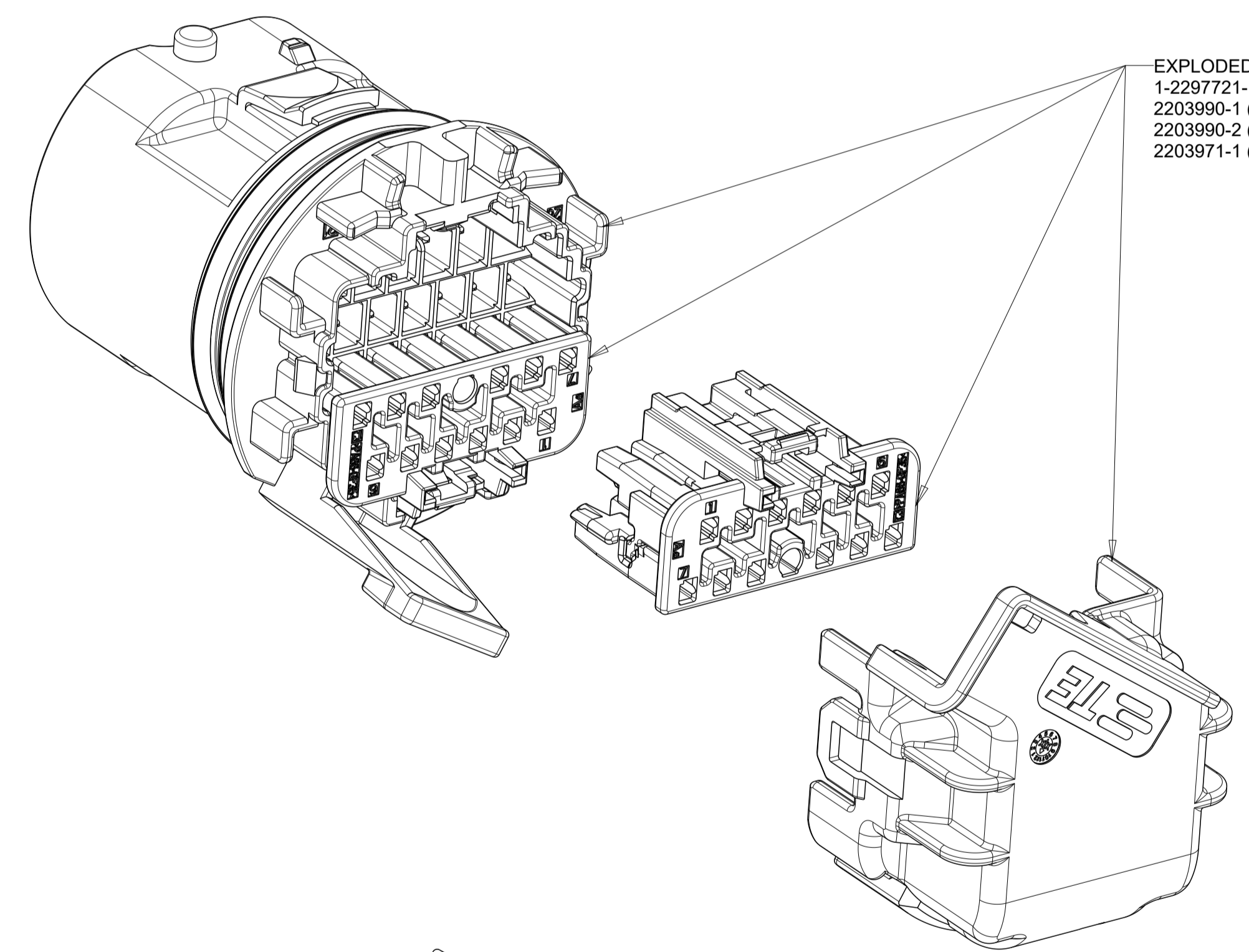
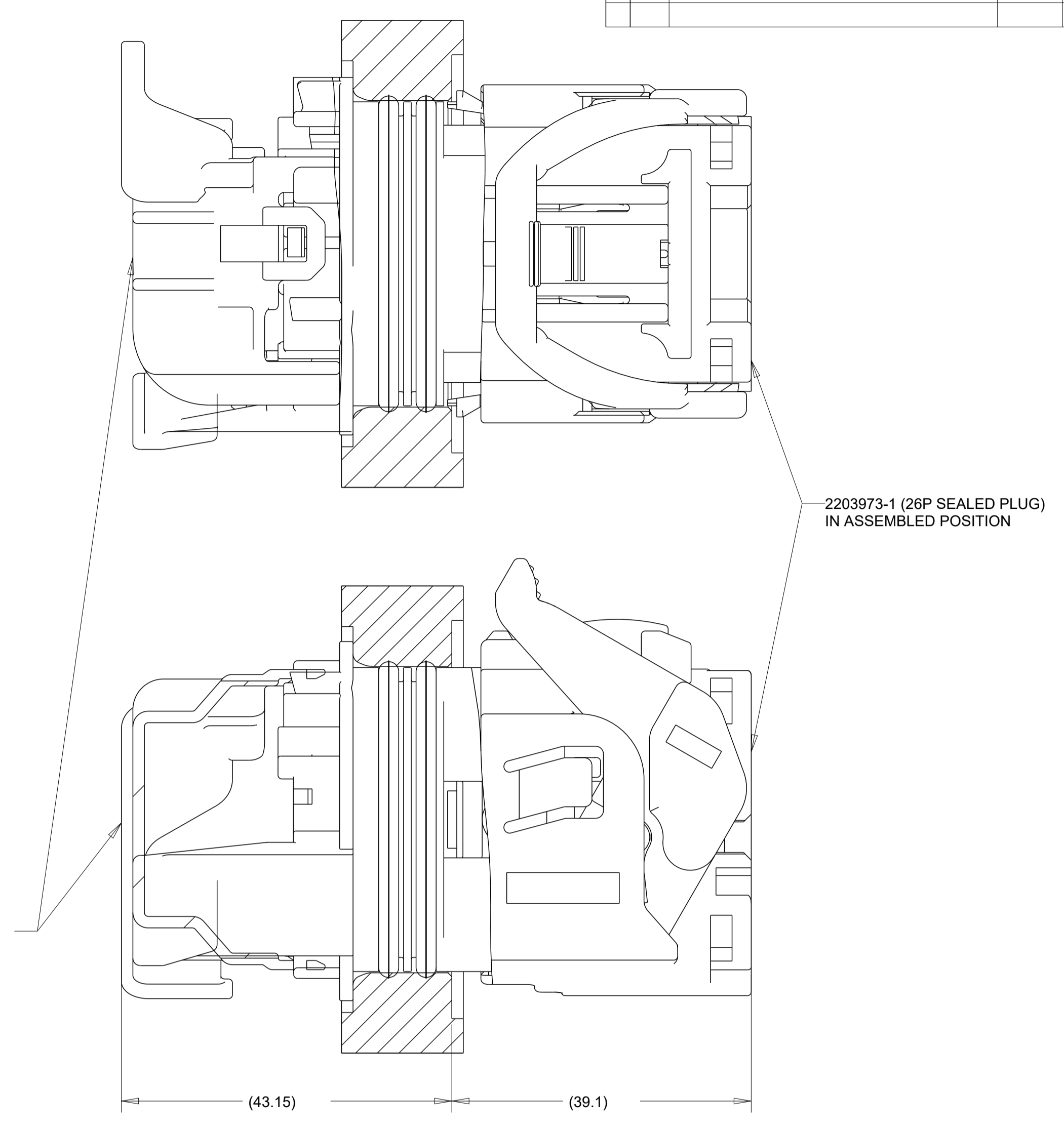
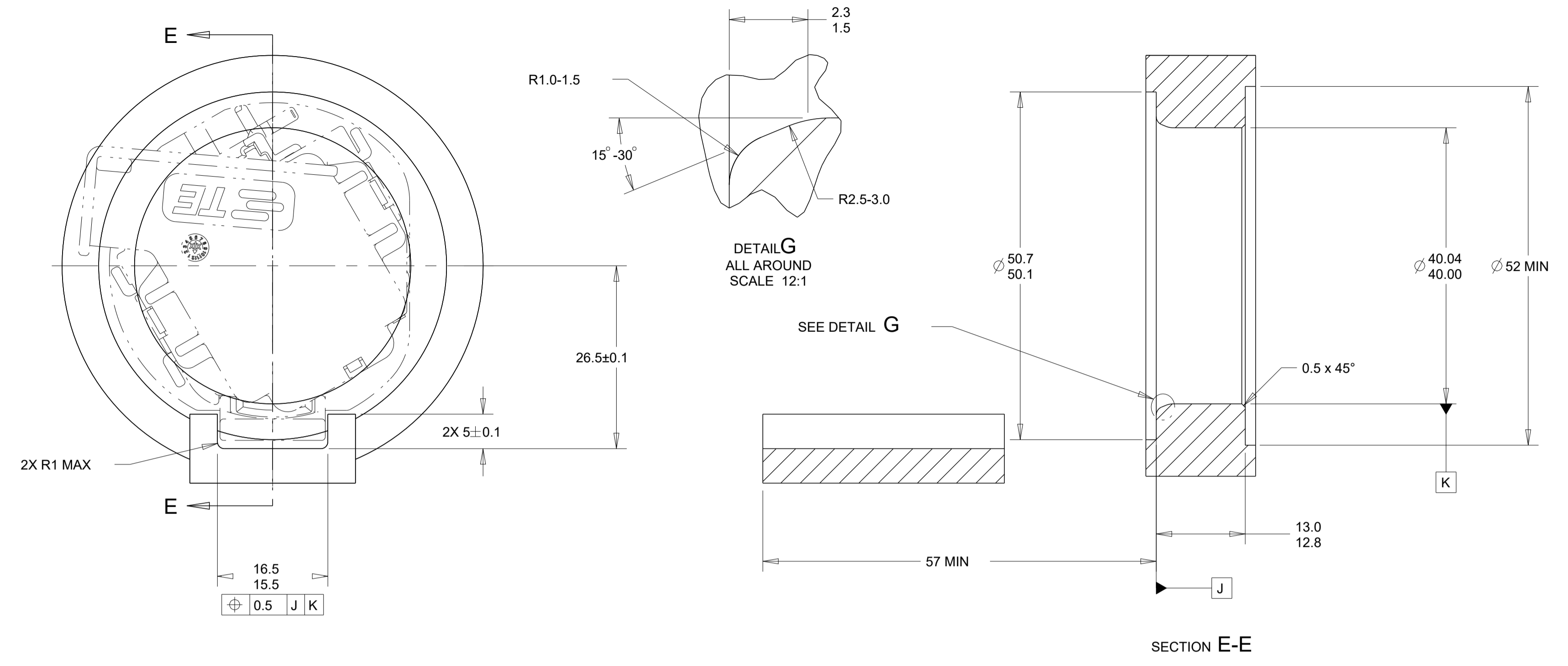
2297721-4
KEYING OPTION "D"
 SCALE 3:1



THIS DRAWING IS A CONTROLLED DOCUMENT.		DWN: A. VASBINDER 12NOV2015	
DIMENSIONS: min		CHK: A. VASBINDER 12NOV2015	
TOLERANCES UNLESS OTHERWISE SPECIFIED:		APVD: R. HETRICK 12NOV2015	NAME: R. HETRICK
0 PLC ±	1 PLC ±0.3	PRODUCT SPEC: 26P SEALED PASS THRU (MCON 1.2) TRANSMISSION HEADER ASSEMBLY	
2 PLC ±0.1	3 PLC ±	APPLICATION SPEC: 408-32149	
4 PLC ±	ANGLES ±°	MATERIAL: SEE NOTE 1	
FINISH		WEIGHT: -	
MATERIAL: SEE NOTE 1		Customer Drawing	
SCALE: 3:1		SHEET 2 OF 3	
REV: B2		REV: B2	

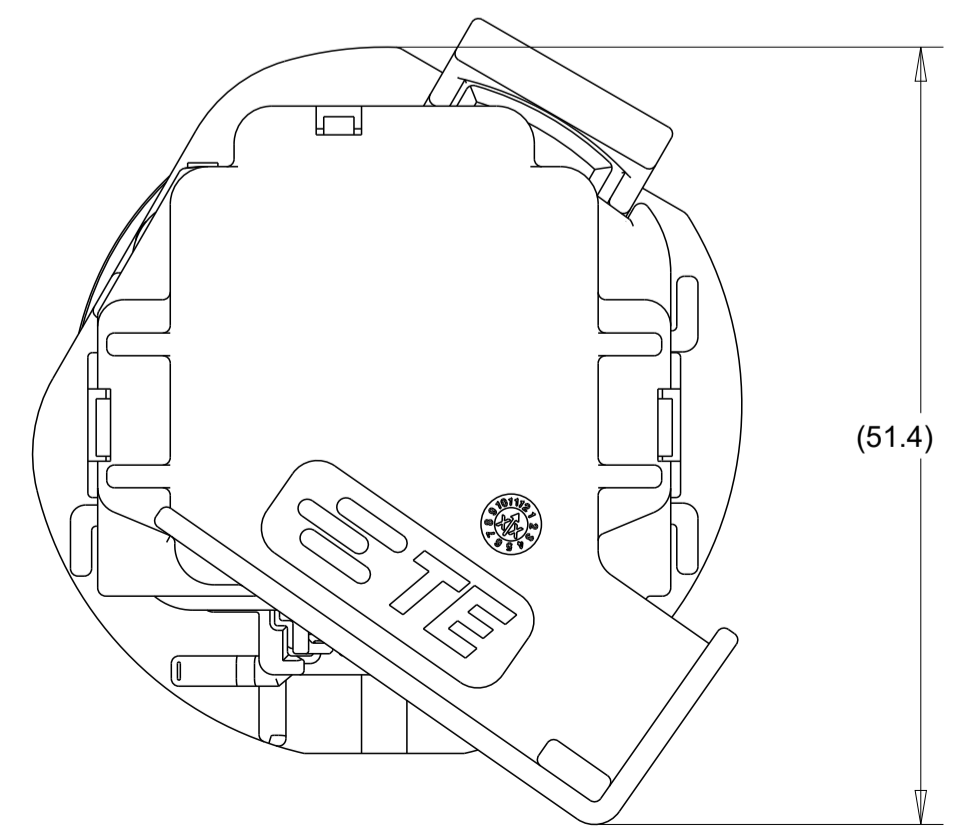
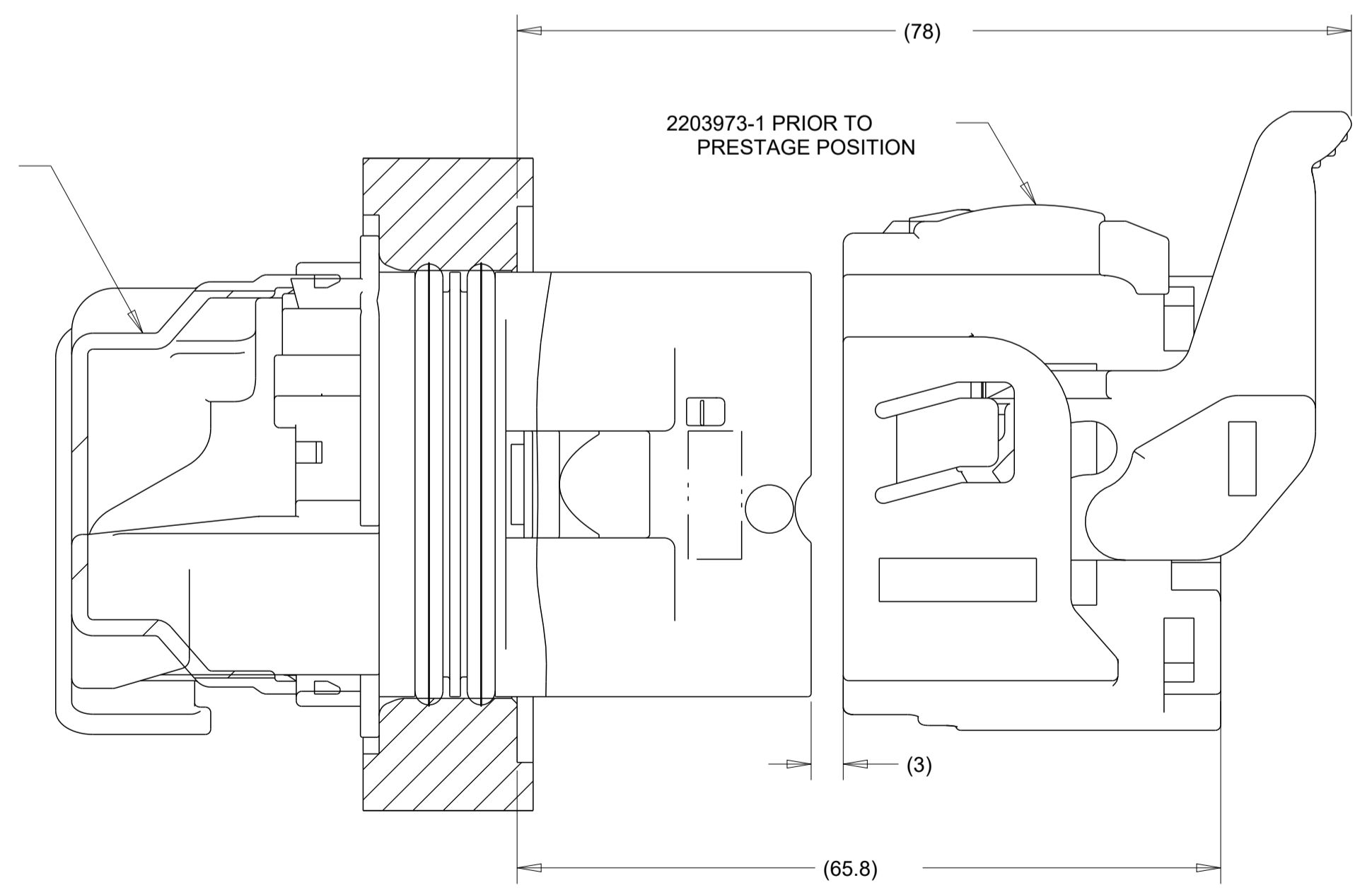
REVISIONS				
P	LTR	DESCRIPTION	DATE	DWN
-	-	SEE SHEET 1	-	-

RECOMMENDED MOUNTING HOLE DETAIL
MATERIAL: CAST ALUMINUM OR SIMILAR

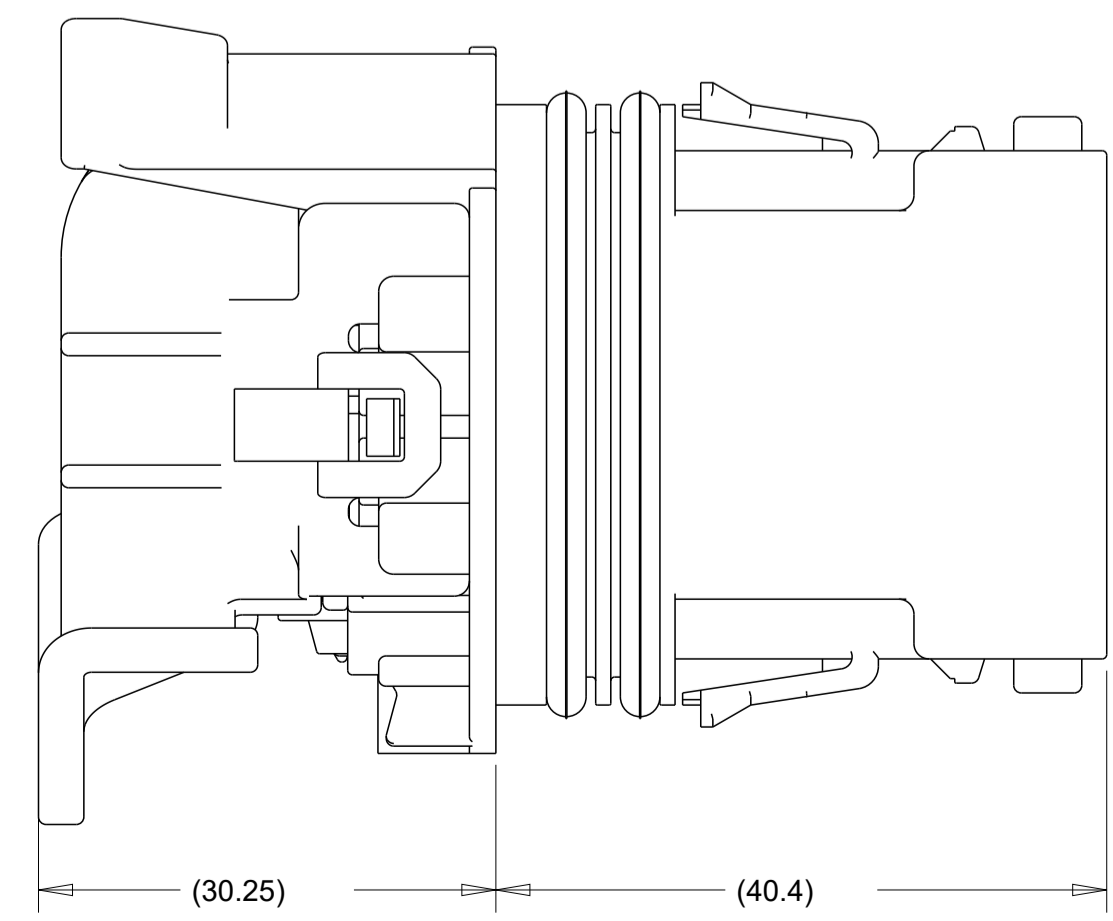


1-2297721-1 WITH WIRE DRESS 2203971-1 IN ASSEMBLED POSITION

1-2297721-1 WITH WIRE DRESS 2203971-1 IN ASSEMBLED POSITION



1-2297721-1 SHOWN WITH APPLICABLE COMPONENTS IN ASSEMBLED POSITION



THIS DRAWING IS A CONTROLLED DOCUMENT.		DWN A. VASBINDER 12NOV2015	TE Connectivity	
DIMENSIONS: min		CHK A. VASBINDER 12NOV2015	NAME R. HETRICK 12NOV2015	
TOLERANCES UNLESS OTHERWISE SPECIFIED:		PRODUCT SPEC		
0 PLC ±		APPLICATION SPEC		
1 PLC ±0.3		408-32149		
2 PLC ±0.1		WEIGHT		
3 PLC ±		A1		
4 PLC ±		Customer Drawing		
ANGLES ±°		SCALE 1:1		
FINISH		SHEET 3 OF 3		
SEE NOTE 1		REV B2		