

1-206934-1 ✓ ACTIVE

AMP | AMP CPC

TE Internal #: 1-206934-1

Circular Power Connectors, Connector Assembly, 250 VDC, Wire-to-Board / Wire-to-Panel, 37 Position, Receptacle, Pin, Signal, Black, AMP CPC

[View on TE.com >](#)



Connectors > Power Connectors > Circular Power > Circular Power Connectors



Connector Product Type: **Connector Assembly**

Operating Voltage: **250 VDC**

Connector System: **Wire-to-Board, Wire-to-Panel**

Number of Positions: **37**

Sealable: **No**

Features

Product Type Features

Connector Product Type	Connector Assembly
Connector System	Wire-to-Board, Wire-to-Panel
Sealable	No
Connector & Housing Type	Receptacle
Circular Connector Shell Type	All Plastic

Configuration Features

Number of Positions	37
Number of Power Positions	0
Number of Signal Positions	37

Electrical Characteristics

Operating Voltage	250 VAC
-------------------	---------

Contact Features

Reverse Gender	No
Contact Type	Pin



Termination Features

Termination Method to Printed Circuit Board	Through Hole - Solder
---	-----------------------

Mechanical Attachment

Mating Alignment Type	Keyed
Mating Alignment	With
Panel Mount Feature Type	Flange with Mounting Holes
Mating Retention Type	Threaded Coupling
Polarization Code	A
Connector Mounting Type	Panel Mount
Mating Retention	With
Panel Mount Feature	With

Housing Features

Housing Color	Black
Housing Material	PA 6.6
Circular Connector Shell Size	23

Dimensions

Assembly Length	40 mm[1.575 in]
-----------------	-----------------

Usage Conditions

Operating Temperature Range	-55 – 105 °C[-67 – 221 °F]
Fluid Resistance	None

Operation/Application

Circuit Application	Signal
Shielded	No

Industry Standards

UL Flammability Rating	UL 94V-0
------------------------	----------

Packaging Features

Packaging Quantity	12
Packaging Method	Tray

Product Compliance

[For compliance documentation, visit the product page on TE.com>](#)



EU RoHS Directive 2011/65/EU	Compliant
EU ELV Directive 2000/53/EC	Compliant
China RoHS 2 Directive MIIT Order No 32, 2016	No Restricted Materials Above Threshold
EU REACH Regulation (EC) No. 1907/2006	Current ECHA Candidate List: JUNE 2023 (235) Candidate List Declared Against: JUNE 2023 (235) Does not contain REACH SVHC
Halogen Content	BFR/CFR/PVC Free, but Br/Cl >900 ppm in other sources.
Solder Process Capability	Not applicable for solder process capability

Product Compliance Disclaimer

This information is provided based on reasonable inquiry of our suppliers and represents our current actual knowledge based on the information they provided. This information is subject to change. The part numbers that TE has identified as EU RoHS compliant have a maximum concentration of 0.1% by weight in homogenous materials for lead, hexavalent chromium, mercury, PBB, PBDE, DBP, BBP, DEHP, DIBP, and 0.01% for cadmium, or qualify for an exemption to these limits as defined in the Annexes of Directive 2011/65/EU (RoHS2). Finished electrical and electronic equipment products will be CE marked as required by Directive 2011/65/EU. Components may not be CE marked. Additionally, the part numbers that TE has identified as EU ELV compliant have a maximum concentration of 0.1% by weight in homogenous materials for lead, hexavalent chromium, and mercury, and 0.01% for cadmium, or qualify for an exemption to these limits as defined in the Annexes of Directive 2000/53/EC (ELV). Regarding the REACH Regulation, the information TE provides on SVHC in articles for this part number is based on the latest European Chemicals Agency (ECHA) 'Guidance on requirements for substances in articles' posted at this URL: <https://echa.europa.eu/guidance-documents/guidance-on-reach>

Compatible Parts



TE Part # CAT-AM71-C83998B
CPC Cable Clamps



TE Part # 206150-1
CPC PLUG ASSEMBLY SIZE 23-37



TE Part # 207299-4
FLANGE PLUG



TE Part # 207055-1
EXTENDER BACK SHELL



TE Part # 6-2407269-4
CAP, CPC, SIZE 23 RECP, YELLOW



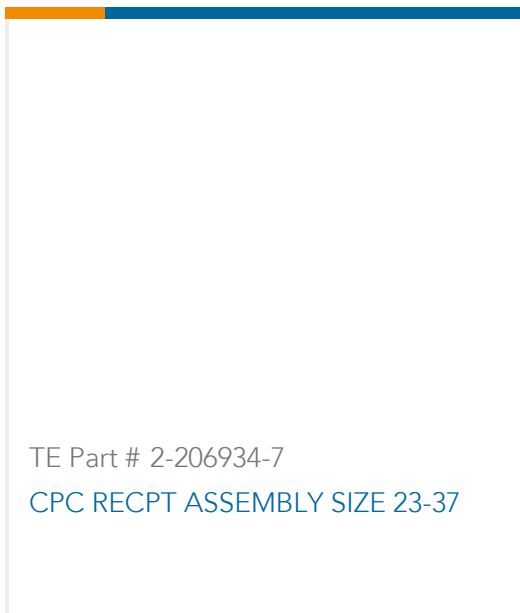
TE Part # 6-2407269-2
CAP, CPC, SIZE 23 RECP, BLACK



TE Part # 6-2407269-1
CAP, CPC, SIZE 23 RECP, ORANGE



TE Part # 6-2407269-3
CAP, CPC, SIZE 23 RECP, RED



TE Part # 2-206934-7
CPC RECPT ASSEMBLY SIZE 23-37

Also in the Series | AMP CPC



Circular Connector Adapters(7)



Circular Connector Caps & Covers(16)



Circular Connector Hardware(3)



Circular Connector Keying Plugs(2)



Circular Power Connectors(459)



Connector Backshells(56)



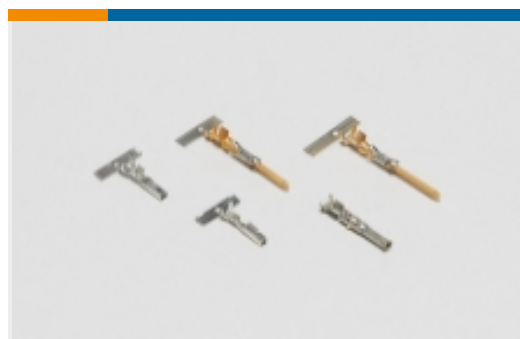
Connector Seals & Cavity Plugs(36)



Connector Strain Relief(6)



Insertion & Extraction Tools(1)



Power Contacts(6)



Sealing Sleeves(2)

Customers Also Bought



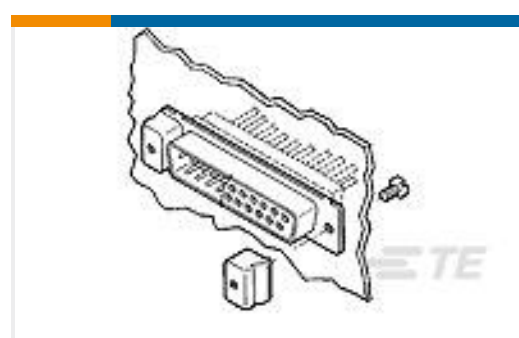
TE Part #4-1462037-8
IM07JR=IM RELAY 200mW 24V



TE Part #5084616-5
0.8FH,R13H.5,120,08/Sn,TR,SC



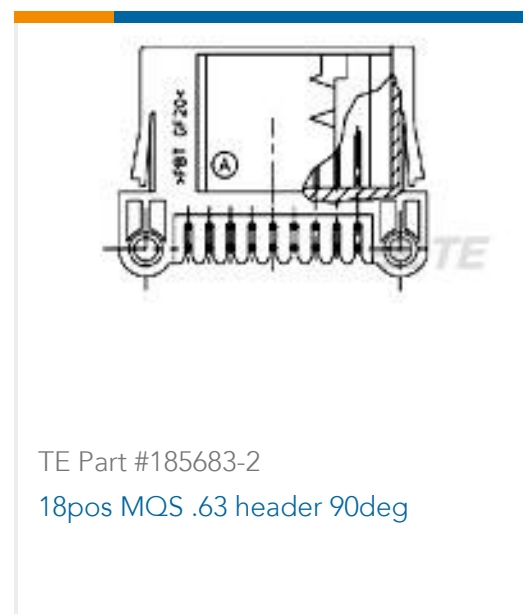
TE Part #5-103414-8
10 MODII HDR SRST SHRD LF



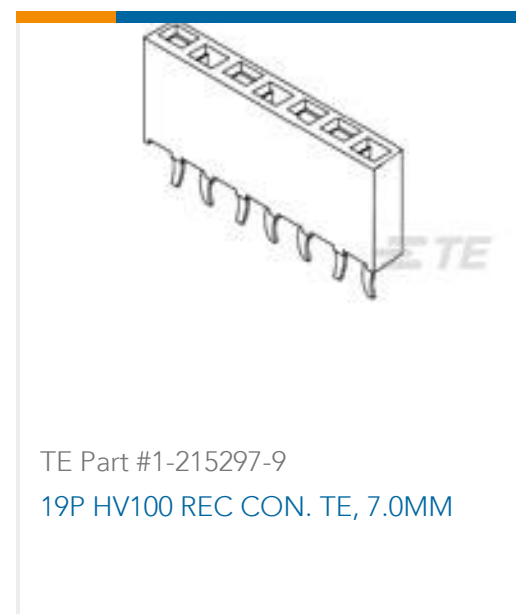
TE Part #208101-2
LATCH BLOCK SZ 1-4 (BULK PAK)



TE Part #3-641121-3
03P MTA156 HDR ASSY FL/RA LF



TE Part #185683-2
18pos MQS .63 header 90deg



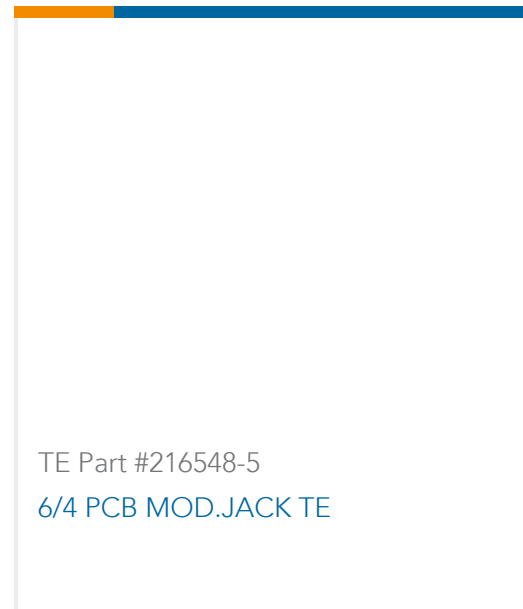
TE Part #1-215297-9
19P HV100 REC CON. TE, 7.0MM



TE Part #494167-E
M12 M 4 A * S * 201 10,5 094 * * Y-VG
OD



TE Part #494520-E
M12 M 4 A * S * 201 10,5 094 * * Y-VG
99



TE Part #216548-5
6/4 PCB MOD.JACK TE

Documents

Product Drawings

[CPC RECPT ASSEMBLY SIZE 23-37](#)

English

CAD Files

[3D PDF](#)

3D

Customer View Model

[ENG_CVM_CVM_1-206934-1_AW.2d_dxf.zip](#)

English

Customer View Model

[ENG_CVM_CVM_1-206934-1_AW.3d_igs.zip](#)

English

Customer View Model

[ENG_CVM_CVM_1-206934-1_AW.3d_stp.zip](#)

English

By downloading the CAD file I accept and agree to the [Terms and Conditions](#) of use.

Datasheets & Catalog Pages

[AMP Circular Connectors for Commercial Signal & Power Applications](#)

English

Product Specifications

[Application Specification](#)

English

Product Environmental Compliance

[TE Material Declaration](#)



English

Agency Approvals

CSA Certificate

English

CSA Certificate

English