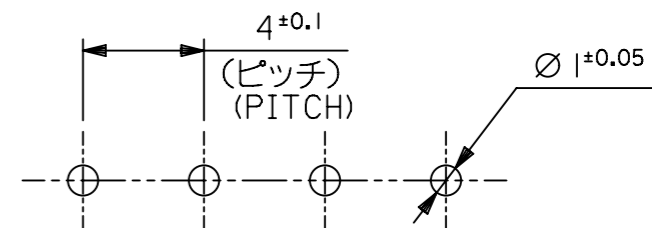


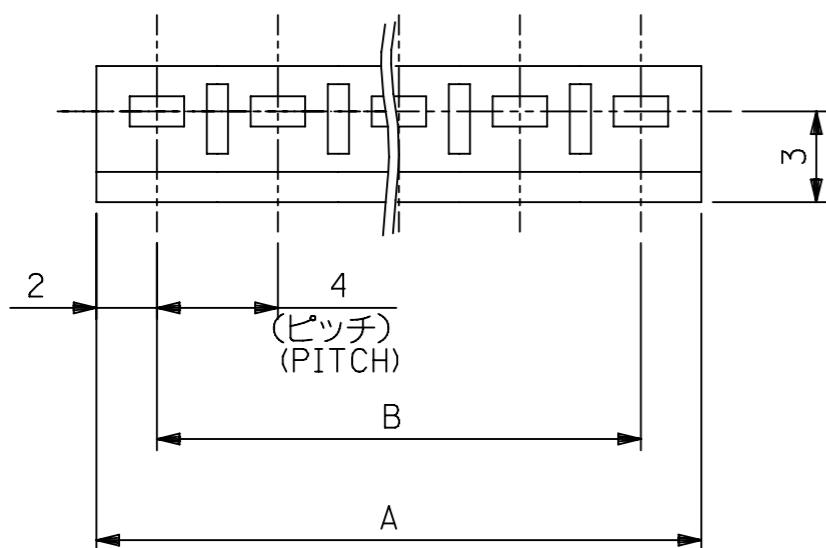
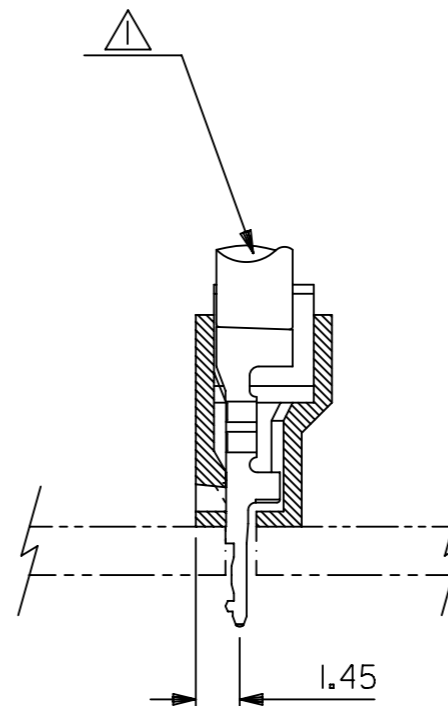
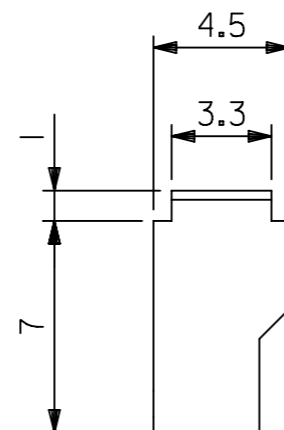
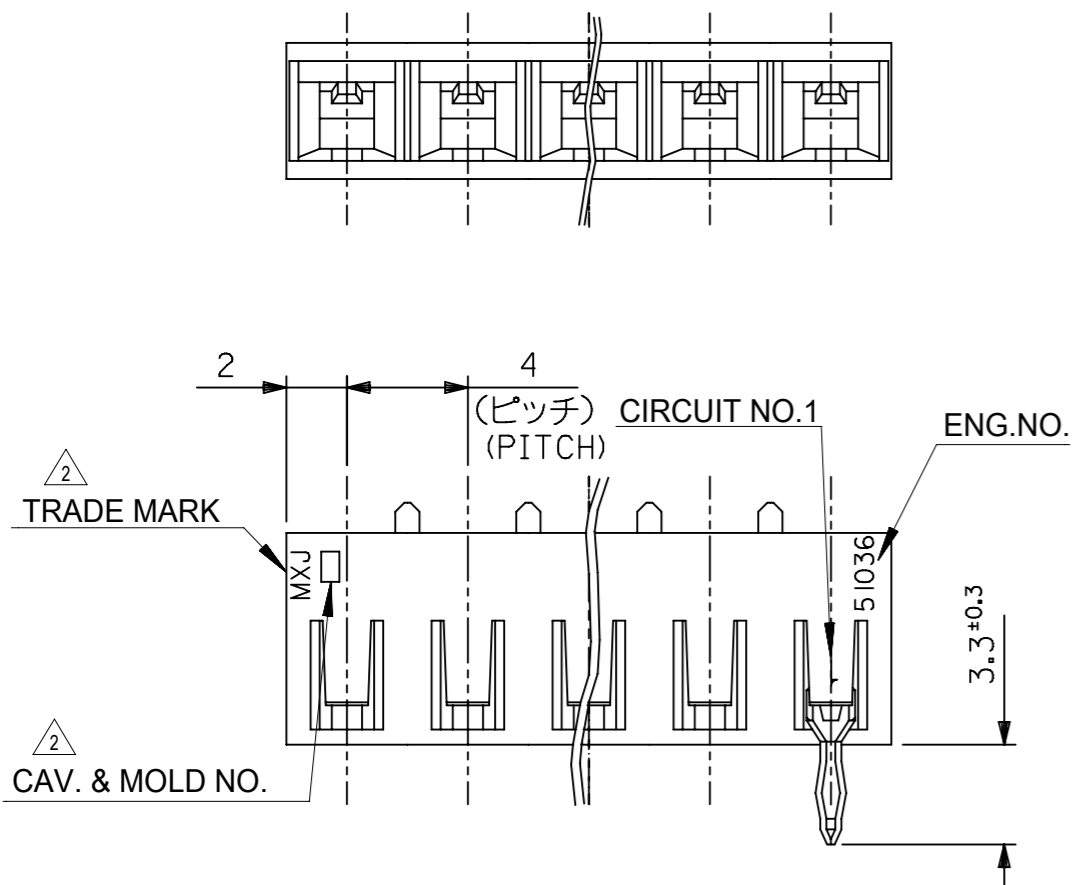
注記
NOTE

- ① 適合ターミナル : 500978*00
APPLICABLE : 500978*00
- ② トレードマーク : MXJにて表示。
キャビティー番号 : 1桁から2桁の数字にて表示。 金型番号 : アルファベット1文字にて表示。
TRADE MARK IS FORMED BY MXJ.
AND BY 1-2 DIGIT NUMBER (TO CAVITY NO.)
AND BY 1 LETTER OD ALPHABET (TO MOLD NO.)
- ③ ELV及びRoHS適合品
ELV AND RoHS COMPLIANT.

(公差非累積)
(NON-ACCUMULATIVE)



基板取付穴推奨寸法(基板厚: 1.6mm)
RECOMMENDED PC BOARD
HOLE DIMENSION
(THICKNESS: 1.6mm)



56	60	51036 1500	15
36	40	↑ 1000	10
32	36	0900	9
28	32	0800	8
24	28	0700	7
20	24	0600	6
16	20	0500	5
12	16	0400	4
8	12	↓ 0300	3
4	8	51036 0200	2
B	A	ENG.NO.	極数 CKT.

材料 MATERIAL POLYAMIDE,UL94V-0	適用電線範囲 WIRE RANGE AVS0.3~0.85	被覆外径 INS. RANGE Ø1.8~2.6
-------------------------------------	-------------------------------------	--------------------------------

GENERAL TOLERANCES (UNLESS SPECIFIED)	
10 ^{UNDER}	±0.2
10 ^{OVER} 30 ^{UNDER}	±0.25
30 ^{OVER}	±0.3
ANGULAR	±3°

THIS DRAWING CONTAINS INFORMATION THAT IS PROPRIETARY TO MOLEX ELECTRONIC TECHNOLOGIES, LLC AND SHOULD NOT BE USED WITHOUT WRITTEN PERMISSION

DIMENSION UNITS mm	SCALE 4:1	CURRENT REV DESC: OBSOLETE PART NUMBER AS PER PCN#509451
GENERAL TOLERANCES (UNLESS SPECIFIED)		molex 4.0 BOARD IN CONNECTOR HOUSING PRODUCT CUSTOMER DRAWING
4 PLACES ±	MM INCH	
3 PLACES ±		
2 PLACES ±		
1 PLACE ±		
0 PLACES ±		EC NO: 686785 DRWN: SUGEEB 2021/09/01 CHK'D: GGA 2022/02/28 APPR: GGA 2022/02/28 INITIAL REVISION: DRWN: KSAND 1996/06/30 APPR: MENOMOTO 1996/06/30
ANGULAR TOL ± °		DOCUMENT NUMBER SD-51036-001
DRAFT WHERE APPLICABLE MUST REMAIN WITHIN DIMENSIONS	THIRD ANGLE PROJECTION	DOC TYPE DOC PART REVISION PSD 001 H1
	DRAWING A3-SIZE	MATERIAL NUMBER SEE TABLE
	SERIES 51036	CUSTOMER GENERAL MARKET
		SHEET NUMBER 1 OF 1