

- NOTES:**
- cULus Listed Portable Power Distribution Unit
 - Rating: 50A, Single Phase (H,H,N,G), 3 Pole, 4 Wire 125/250 VAC
 - Input: Qty(1) 50A, California Style Locking Inlet, Single Phase (H,H,N,G), 3 Pole, 4 Wire, 125/250 VAC, Panel Mount (Not GFCI Protected)
 - Output:
 - Qty(6) NEMA Locking, 20A, L5-20, Single Phase (H,N,G), 2 Pole, 3 Wire, 125 VAC Locking receptacles, Panel Mount GFCI Open-Neutral Protected
 - Qty(1) NEMA L6-30, 30A, Single Phase (H,H,G), 2 Pole, 3 Wire, 250 VAC Locking receptacle, Panel Mount (Not GFCI Protected)
 - Main Breaker: None
 - Feed Thru: Yes, Qty(1) 50A, California Style Locking Receptacle, Single Phase (H,H,N,G), 3 Pole, 4 Wire, 125/250 VAC, Panel Mount (Not GFCI Protected)
 - Overcurrent Protection:
 - Qty(6) 20A, 1 Pole branch-rated circuit breakers
 - Qty(1) 30A, 2 Pole branch-rated circuit breaker
 - Environmental Rating: NEMA Type 3R Rainproof (when all cover plates and hinged lid cover closed)
 - Box Style: Rubber, Hinged
 - Dimensions: 14.25" L x 14.25" W x 17.5" H
 - Approximate Weight: 29 lbs
 - See Sheet 2 for Wiring Schematic
 - For User Manual: See document P/N# 1301380126_USR_MAN
 - Woodhead Engineering No.: SEE CHART
 - Temperature Rating:
 - Operating: -21° to +135°F (-29° to +57°C)
 - Storage: -40° to +160°F (-40° to +71°C)

PART NUMBER	Woodhead® ENGINEERING NUMBER	RUBBER & METAL BASE COLOR	MINIMUM ORDER QUANTITY (MOQ)
1301380127	DY5-6G1H	YELLOW	1
1301380178	DB5-6G1H	BLACK	1
1301380180	DY5-6G1H-BP	YELLOW	1 unit = 25 pcs of 1301380127
1301380182	DB5-6G1H-BP	BLACK	1 unit = 25 pcs of 1301380178

THIS DRAWING CONTAINS INFORMATION THAT IS PROPRIETARY TO MOLEX ELECTRONIC TECHNOLOGIES, LLC AND SHOULD NOT BE USED WITHOUT WRITTEN PERMISSION

DIMENSION UNITS	SCALE	CURRENT REV DESC: UPDATE QTY IN CHART	
INCH	NTS		
GENERAL TOLERANCES (UNLESS SPECIFIED)			
ANGULAR TOL	±	°	
4 PLACES	±		
3 PLACES	±		
2 PLACES	±		
1 PLACE	±		
0 PLACES	±		
DRAFT WHERE APPLICABLE MUST REMAIN WITHIN DIMENSIONS		THIRD ANGLE PROJECTION	DRAWING SERIES
			C-SIZE 130138

EC NO: 175572	2018/04/25
DRWN: WLEUNG	2018/04/25
CHK'D: DNGUYEN62	2018/04/25
APPR: BRUPERT	2018/04/26
INITIAL REVISION:	
DRWN: WLEUNG	2016/07/14
APPR: JFMURPHY	2017/02/18

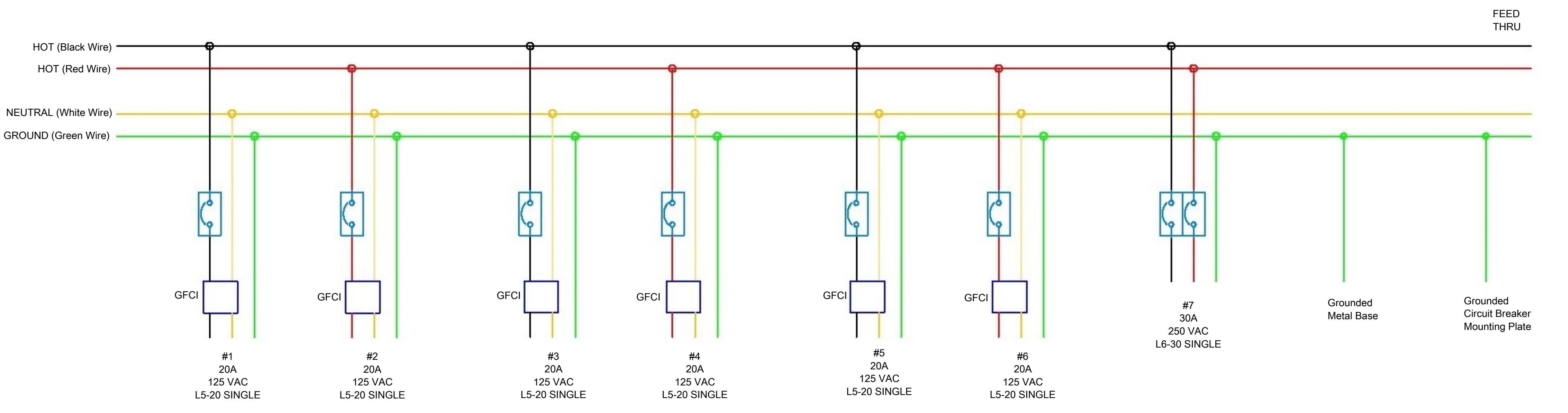
**PORTABLE PWR DIST BOX, 50A RATING
IN:50A CALI LOCKING; OUT:(6)20A NEMA L5-20 &
(1)30A NEMA L6-30**

PRODUCT CUSTOMER DRAWING

DOCUMENT NUMBER	DOC TYPE	DOC PART	REVISION
1301380127	PSD	000	E1

MATERIAL NUMBER	CUSTOMER	SHEET NUMBER
SEE CHART		1 OF 2

INPUT: California Style, 50A,
Single Phase (H,H,N,G),
125/250VAC, Panel Mount



THIS DRAWING CONTAINS INFORMATION THAT IS PROPRIETARY TO MOLEX ELECTRONIC TECHNOLOGIES, LLC AND SHOULD NOT BE USED WITHOUT WRITTEN PERMISSION									
DIMENSION UNITS		SCALE		CURRENT REV DESC: UPDATE QTY IN CHART				molex	
INCH		NTS							
GENERAL TOLERANCES (UNLESS SPECIFIED)				EC NO: 175572				PORTABLE PWR DIST BOX, 50A RATING IN:50A CALI LOCKING; OUT:(6)20A NEMA L5-20 & (1)30A NEMA L6-30	
ANGULAR TOL		± °		DRWN: WLEUNG 2018/04/25					
4 PLACES		±		CHK'D: DNGUYEN62 2018/04/25					
3 PLACES		±		APPR: BRUPERT 2018/04/26				PRODUCT CUSTOMER DRAWING	
2 PLACES		±		INITIAL REVISION:				DOCUMENT NUMBER	
1 PLACE		±		DRWN: WLEUNG 2016/07/14				1301380127	
0 PLACES		±		APPR: JFMURPHY 2017/02/18				DOC TYPE DOC PART REVISION	
DRAFT WHERE APPLICABLE MUST REMAIN WITHIN DIMENSIONS		THIRD ANGLE PROJECTION		DRAWING		SERIES		MATERIAL NUMBER CUSTOMER SHEET NUMBER	
				C-SIZE		130138		SEE CHART 2 OF 2	

DOCUMENT STATUS	P1	RELEASE DATE	2018/04/26 13:37:59
-----------------	----	--------------	---------------------