

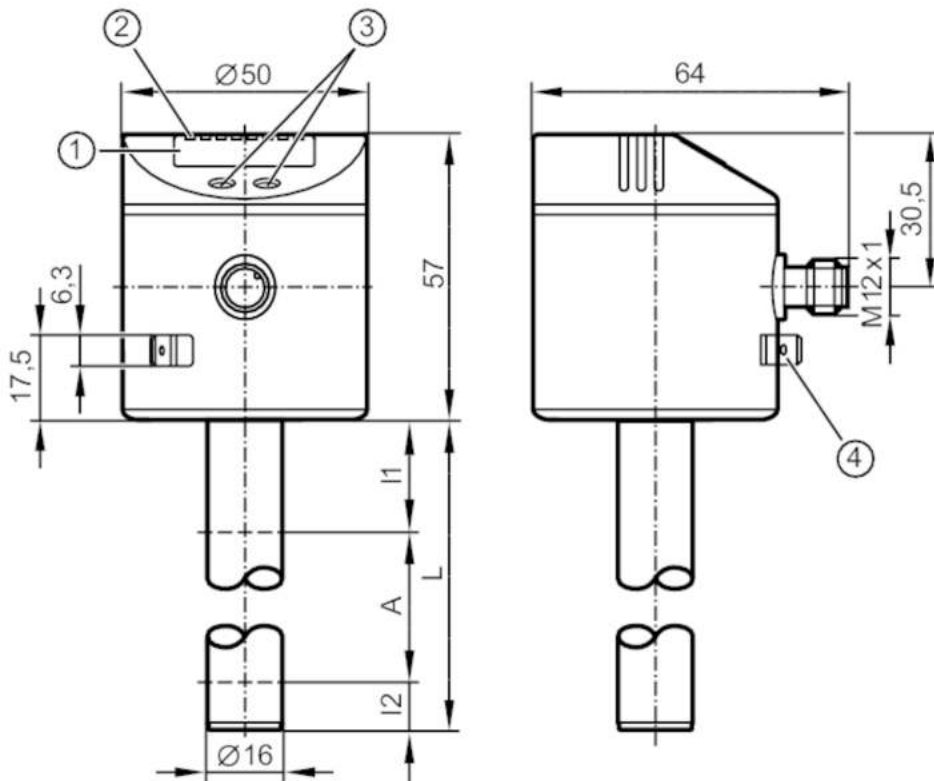
LK8123



Electronic level sensor

LK0472B-B-00KVPKG/US

For 8-pole sockets the core colours are not standardised.
Please note the wiring of the sensor and the sockets (see data sheet).



- 1 alphanumeric display 4-digit
- 2 status LEDs
- 3 programming buttons
- 4 housing connection flat-pin connector 6.3 mm DIN 46244



Product characteristics

Number of inputs and outputs	Number of digital outputs: 4
Factory setting	hydrous coolants; water; media similar to water
Probe length L [mm]	472

Application

Special feature	Gold-plated contacts
Media	hydrous coolants; oils; oil-based media; water; media similar to water
Dielectric constant of the medium	> 2
Cannot be used for	extremely conductive media; adhering media; granulates; bulk material; acids; alkali; hygienic areas and electroplating applications
Maximum speed of the change of level [mm/s]	200
Tank pressure [bar]	0.5; (when mounting with mounting accessories: E43001 - E43007, E43019)

Coolants

Medium temperature [°C]	0...35; (with climatic tube E43101: 35...60 °C)
-------------------------	---

LK8123



Electronic level sensor

LK0472B-B-00KVPKG/US

Oil		
Medium temperature	[°C]	0...70
Medium temperature short time	[°C]	0...90; (< 1 h)
Water		
Medium temperature	[°C]	0...35; (with climatic tube E43101 35...60 °C)
Electrical data		
Operating voltage	[V]	18...30 DC
Current consumption	[mA]	< 50
Protection class		III
Reverse polarity protection		yes
Power-on delay time	[s]	< 3
Measuring principle		capacitive
Inputs / outputs		
Number of inputs and outputs		Number of digital outputs: 4
Outputs		
Total number of outputs		4
Output signal		switching signal; IO-Link
Electrical design		PNP/NPN
Number of digital outputs		4
Output function		normally open / normally closed; (parameterisable)
Max. voltage drop switching output DC	[V]	2.5
Permanent current rating of switching output DC	[mA]	200
Short-circuit protection		yes
Type of short-circuit protection		thermal, pulsed
Overload protection		yes
Measuring/setting range		
Factory setting		hydrous coolants; water; media similar to water
Probe length L	[mm]	472
Active range A	[mm]	390
Inactive range I1 / I2	[mm]	60 / 22
Setting range		
Set point SP	[mm]	35...390
Reset point rP	[mm]	30...385
In steps of	[mm]	5
Reference point OP	[mm]	139 - 163 - 188 - 212 - 236 - 261 - 285 - 310 - 334 - 358 - 383 - 407 - OFF
Hysteresis, OP	[mm]	3
Accuracy / deviations		
Measuring error		± 5
	[% of the final value]	
Repeatability		± 2

LK8123



Electronic level sensor

LK0472B-B-00KVPKG/US

Resolution	[mm]	5
------------	------	---

Software / programming

Parameter setting options	hysteresis / window; normally open / normally closed; switching logic; SP/rP position; adjustment OP; medium selection; offset setting; switch-on/switch-off delay
---------------------------	--

Interfaces

Communication interface	IO-Link	
Transmission type	COM2 (38,4 kBaud)	
IO-Link revision	1.1	
SDCI standard	IEC 61131-9	
Profiles	Smart Sensor: Process Data Variable; Device Identification, Device Diagnosis	
SIO mode	yes	
Required master port type	A	
Process data analogue	2	
Process data binary	4	
Min. process cycle time	[ms] 3.2	
Supported DeviceIDs	Type of operation Default	DeviceID 22

Operating conditions

Ambient temperature	[°C]	0...60
Storage temperature	[°C]	-25...80
Protection		IP 67

Tests / approvals

EMC	DIN EN 61000-6-4	
	DIN EN 61000-6-2	
Shock resistance	DIN EN 60068-2-29	15 g (11 ms)
Vibration resistance	DIN EN 60068-2-6	5 g (10...2000 Hz)
MTTF	[years]	227

Mechanical data

Weight	[g]	372.6
Dimensions	[mm]	Ø 16
Materials		stainless steel (1.4301 / 304); stainless steel (1.4404 / 316L); FKM; NBR; PBT; PC; PP; PA; TPV
Materials (wetted parts)		PP

Displays / operating elements

Display	Display unit	2 x LED, green (cm, inch)
	switching status	4 x LED, yellow (OUT4...OUT1)
	measured values	alphanumeric display, 4-digit
	parameter setting	alphanumeric display, 4-digit

Remarks

Pack quantity	1 pcs.
---------------	--------

LK8123



Electronic level sensor

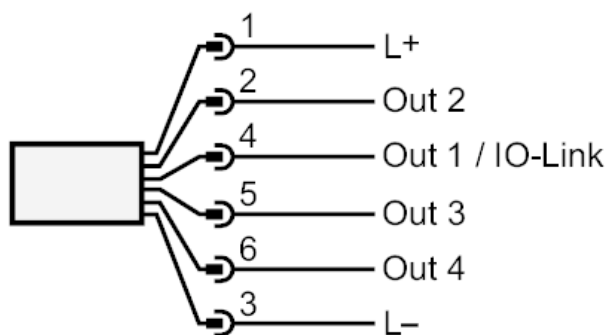
LK0472B-B-00KVPKG/US

Electrical connection

Connector: 1 x M12; coding: A; Contacts: gold-plated



Connection



OUT1: switching output IO-Link
OUT2...4: switching output