

# XS618B1PAL01C

Inductive proximity sensors XS, inductive sensor XS6 M18, L62mm, brass, Sn8mm, 12...48 VDC, DIN 0.15 m



## Main

|                                    |   |
|------------------------------------|---|
| Range of Product                   | Telemecanique Inductive proximity sensors XS                                    |
| Series name                        | General purpose   |
| Sensor Type                        | Inductive proximity sensor  |
| Device Application                 | Mobile equipment  |
| Sensor name                        | XS6   |
| Sensor design                      | Cylindrical M18   |
| Size                               | 62 mm   |
| Body type                          | Fixed   |
| Detector flush mounting acceptance | Flush mountable   |
| Material                           | Metal   |
| Type of output signal              | Discrete  |
| Wiring Technique                   | 3-wire  |
| [Sn] nominal sensing distance      | 0.31 in (8 mm)  |
| Discrete output function           | 1 NO  |
| Output circuit type                | DC  |
| Discrete output type               | PNP   |
| Electrical connection              | Remote male connector DIN 43650A  |
| Cable length                       | 0.49 ft (0.15 m)  |
| [Us] rated supply voltage          | 12...48 V DC reverse polarity protection  |
| Switching capacity in mA           | <= 200 mA DC overload and short-circuit protection                              |
| IP degree of protection            | IP68 double insulation conforming to IEC 60529<br>IP69K conforming to DIN 40050 |

## Complementary

|                          |                               |
|--------------------------|-------------------------------|
| Thread type              | M18 x 1                       |
| Detection face           | Frontal                       |
| Front material           | PPS                           |
| Enclosure Material       | Nickel Plated Brass           |
| Sensing range            | > 0.16...0.31 in (> 4...8 mm) |
| Operating zone           | 0.00...0.25 in (0...6.4 mm)   |
| Differential travel      | 1...15% of Sr                 |
| Cable composition        | 3 x 0.34 mm <sup>2</sup>      |
| Wire insulation material | PvR                           |
| Status LED               | Output state 1 LED yellow)    |
| Supply voltage limits    | 10...58 V DC                  |
| Switching frequency      | <= 1000 Hz DC                 |
| Maximum voltage drop     | <2 V closed)                  |
| Current consumption      | <= 10 mA no-load              |
| Maximum delay first up   | 10 ms                         |
| Maximum delay response   | 0.3 ms                        |
| Maximum delay recovery   | 0.7 ms                        |
| Marking                  | CE                            |
| Threaded length          | 2.05 in (52 mm)               |

|            |                       |
|------------|-----------------------|
| Length     | 2.44 in (62 mm)       |
| Net Weight | 0.33 lb(US) (0.15 kg) |

## Environment

|                                       |   |
|---------------------------------------|---|
| Product Certifications                | E2                                      |
| Ambient Air Temperature for Operation | -13...158 °F (-25...70 °C)              |
| Ambient Air Temperature for Storage   | -40...185 °F (-40...85 °C)              |
| Vibration resistance                  | 25 gn +/- 2 mm 10...55 Hz)IEC 60068-2-6 |
| Shock resistance                      | 50 gn 11 ms IEC 60068-2-27              |

## Ordering and shipping details

|                       |                          |
|-----------------------|--------------------------|
| Category              | 22486-SENSORS, PROXIMITY |
| Discount Schedule     | DS2                      |
| GTIN                  | 3389119026888            |
| Nbr. of units in pkg. | 1                        |
| Package weight(Lbs)   | 3.10 oz (88.0 g)         |
| Returnability         | No                       |
| Country of origin     | FR                       |

## Packing Units

|                              |                        |
|------------------------------|------------------------|
| Unit Type of Package 1       | PCE                    |
| Package 1 Height             | 1.46 in (3.7 cm)       |
| Package 1 width              | 3.50 in (8.9 cm)       |
| Package 1 Length             | 4.92 in (12.5 cm)      |
| Unit Type of Package 2       | S02                    |
| Number of Units in Package 2 | 22                     |
| Package 2 Weight             | 5.96 lb(US) (2.705 kg) |
| Package 2 Height             | 5.91 in (15 cm)        |
| Package 2 width              | 11.81 in (30 cm)       |
| Package 2 Length             | 15.75 in (40 cm)       |
| Package 3 Height             | 5.91 in (15 cm)        |

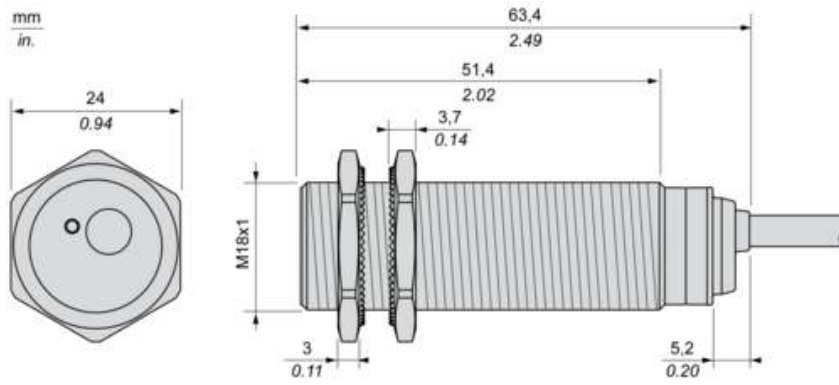
## Offer Sustainability

|                            |   |
|----------------------------|---|
| Sustainable offer status   | Green Premium product   |
| California proposition 65  | WARNING: This product can expose you to chemicals including: Diisononyl phthalate (DINP), which is known to the State of California to cause cancer, and Di-isodecyl phthalate (DIDP), which is known to the State of California to cause birth defects or other reproductive harm. For more information go to <a href="http://www.P65Warnings.ca.gov">www.P65Warnings.ca.gov</a> |
| REACH Regulation           | <a href="#">REACH Declaration</a>   |
| EU RoHS Directive          | Pro-active compliance (Product out of EU RoHS legal scope) <a href="#">EU RoHS Declaration</a>  |
| Mercury free               | Yes   |
| RoHS exemption information | <a href="#">Yes</a>   |
| Environmental Disclosure   | <a href="#">Product Environmental Profile</a>   |
| Circularity Profile        | <a href="#">End Of Life Information</a>   |

## Contractual warranty

|          |           |
|----------|-----------|
| Warranty | 18 months |
|----------|-----------|

Dimensions



---

Minimum Mounting Distances

---

Side by side



$e (1) \geq 16 \text{ mm}/0.63 \text{ in.}$

Face to face



$e (2) \geq 100 \text{ mm}/3.94 \text{ in.}$

Facing a metal object



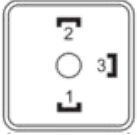
$e (3) \geq 25 \text{ mm}/0.98 \text{ in.}$

---

## Wiring Schemes

---

EN 175301-803-A



PNP

