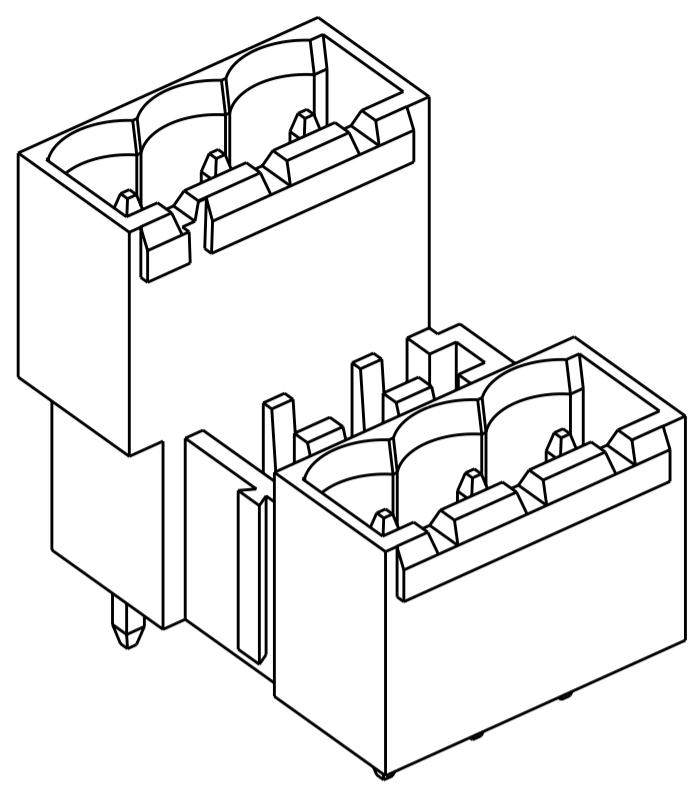
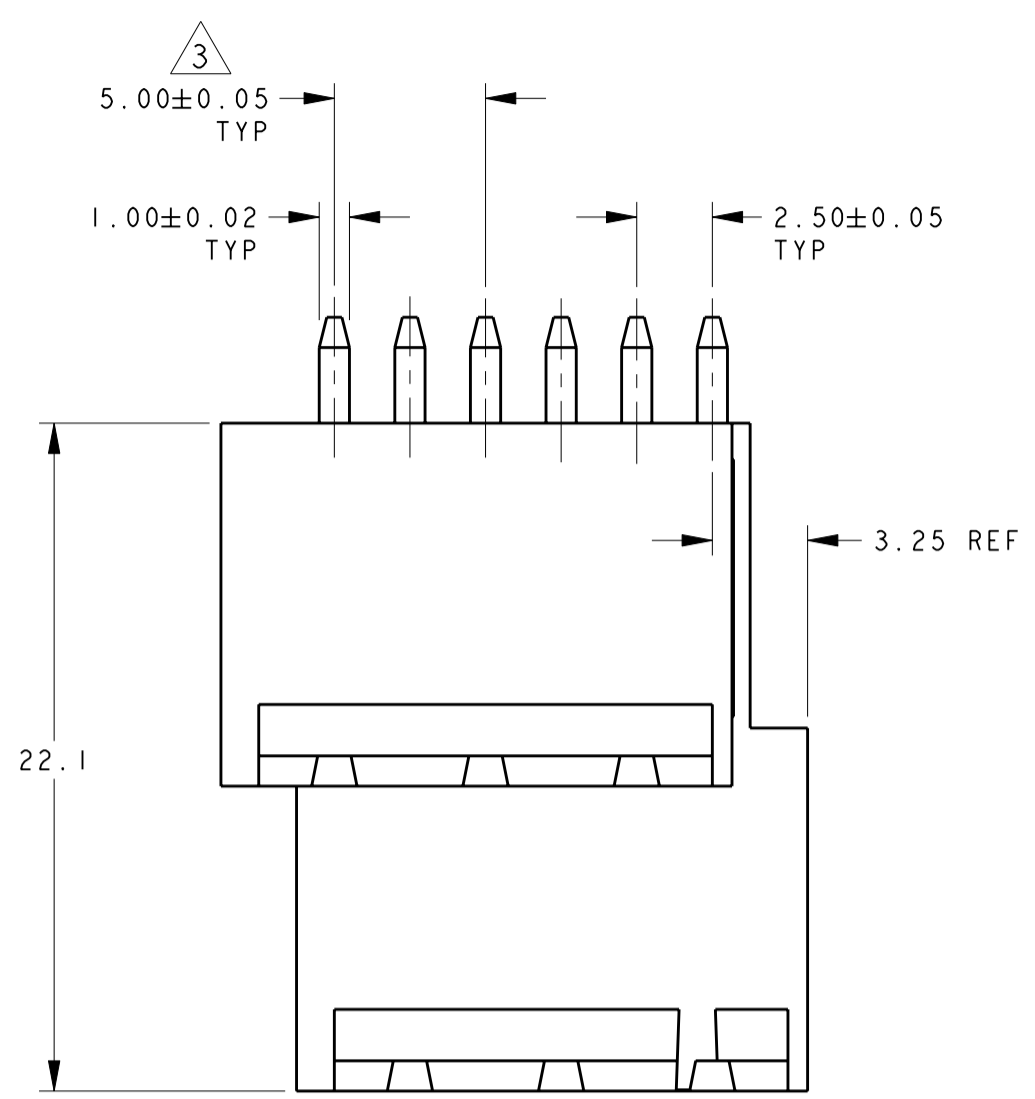


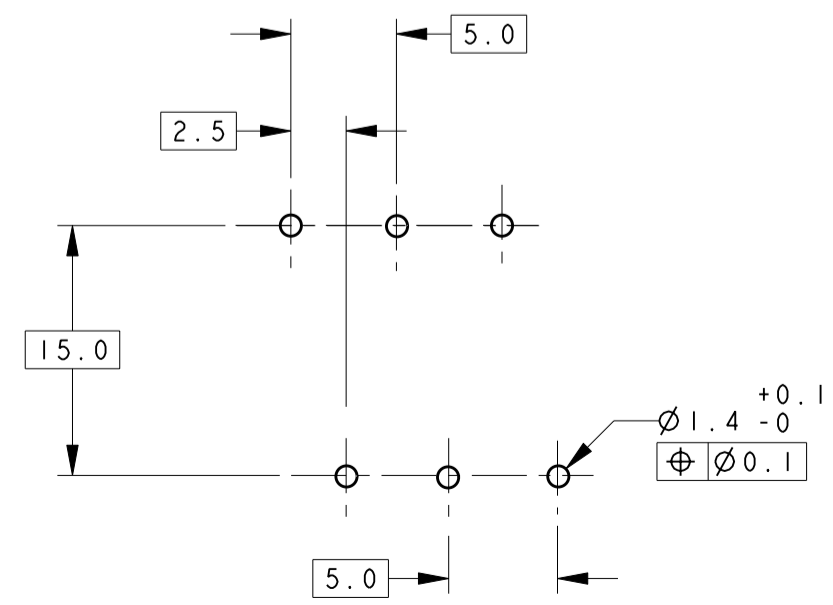
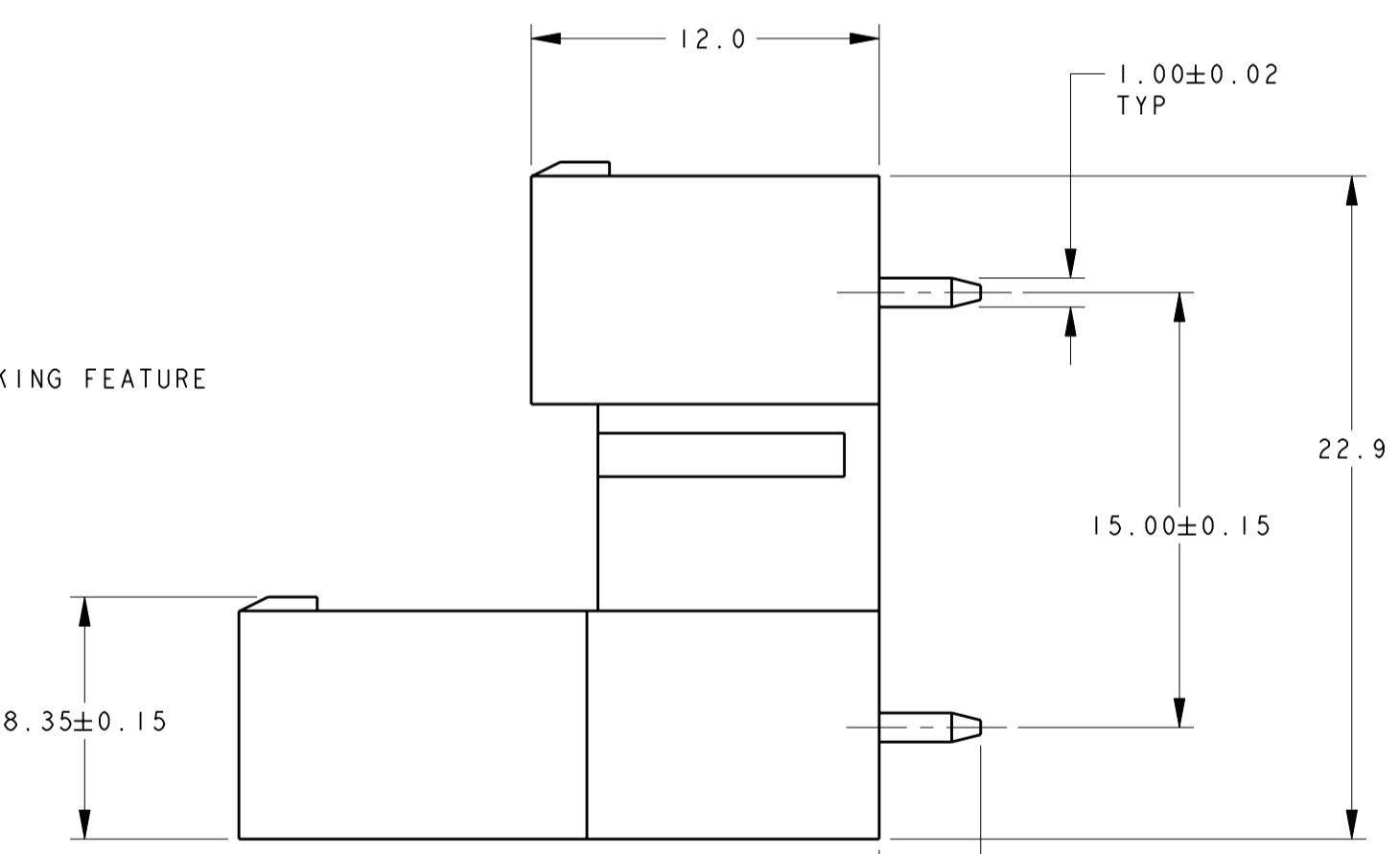
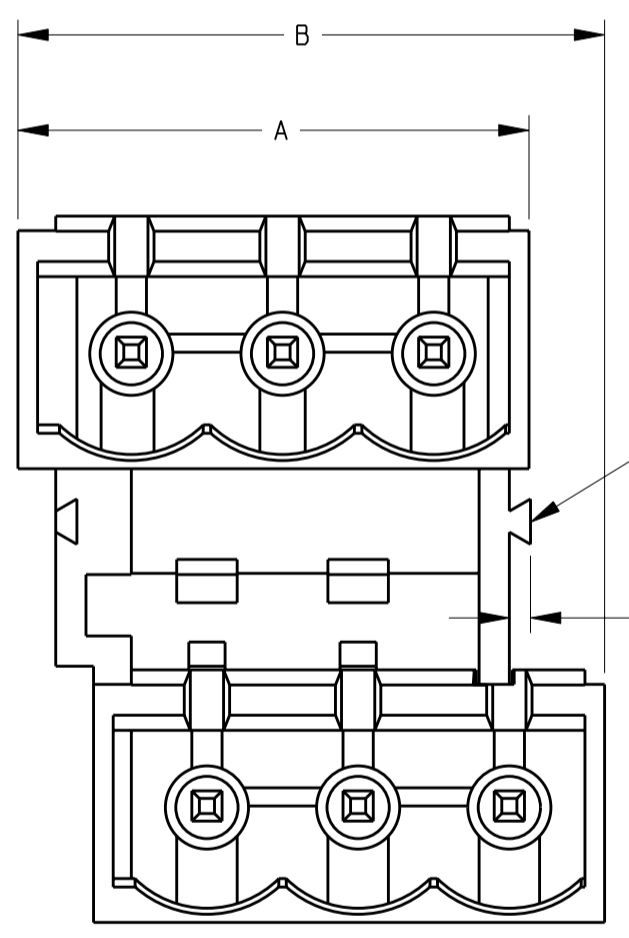
THIS DRAWING IS UNPUBLISHED. RELEASED FOR PUBLICATION 20
 © COPYRIGHT 20 BY - ALL RIGHTS RESERVED.

REVISIONS				DATE	DWN	APVD
P	LTR	DESCRIPTION				
01		REVISED PER ECO-12-007714	25APR2012	KH	MS	



1546106-3 AS SHOWN
SCALE 3:1

- 1 MATERIALS AND FINISH
HOUSING: PA 6-6, UL 94-V0, COLOR BLACK.
TERMINAL: COPPER ALLOY, TIN PLATED.
- 2 SUITABLE FOR 1.6-2.4mm PC BOARD THICKNESS.
- 3 NOT CUMULATIVE TOLERANCE.
- 4 P/N FROM 1546106-3 TO 2-1546106-5 ARE OBTAINED BY ASSEMBLING DIFFERENT MONOLITHIC MODULES CHOSEN AMONG : 1546106-2 AND 1546106-3, IN ORDER TO REALIZE THE DESIRED NUMBER OF WAYS.



RECOMMENDED PC BOARD LAYOUT

127	129.5	25	2-1546106-5
122	124.5	24	2-1546106-4
117	119.5	23	2-1546106-3
112	114.5	22	2-1546106-2
107	109.5	21	2-1546106-1
102	104.5	20	2-1546106-0
97	99.5	19	1-1546106-9
92	94.5	18	1-1546106-8
87	89.5	17	1-1546106-7
82	84.5	16	1-1546106-6
77	79.5	15	1-1546106-5
72	74.5	14	1-1546106-4
67	69.5	13	1-1546106-3
62	64.5	12	1-1546106-2
57	59.5	11	1-1546106-1
52	54.5	10	1-1546106-0
47	49.5	9	1546106-9
42	44.5	8	1546106-8
37	39.5	7	1546106-7
32	34.5	6	1546106-6
27	29.5	5	1546106-5
22	24.5	4	1546106-4
17	19.5	3	1546106-3
12	14.5	2	1546106-2

A	B	NO OF POSN	PART NUMBER
---	---	------------	-------------

THIS DRAWING IS A CONTROLLED DOCUMENT.

DIMENSIONS: mm

TOLERANCES UNLESS OTHERWISE SPECIFIED:

0 PLC	±.3
1 PLC	±.25
2 PLC	±.25
3 PLC	±.25
4 PLC	±.25
ANGLES	±2
FINISH	

MATERIAL

APVD: D. BIEVENOUR

PRODUCT SPEC

APPLICATION SPEC

WEIGHT

CUSTOMER DRAWING

STE TE Connectivity

NAME: TERMINAL BLOCK
MULTIPLE HEADER 180 DEGREE
CLOSED ENDS, 5.0mm PITCH

SIZE: A200779C-1546106

RESTRICTED TO

SCALE: 4:1 SHEET OF 1 REV: 01