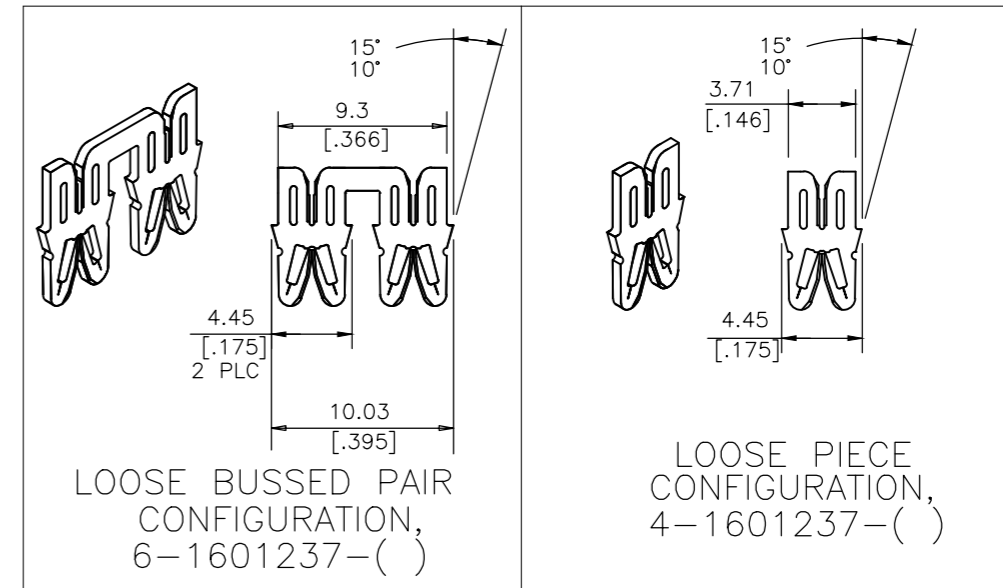
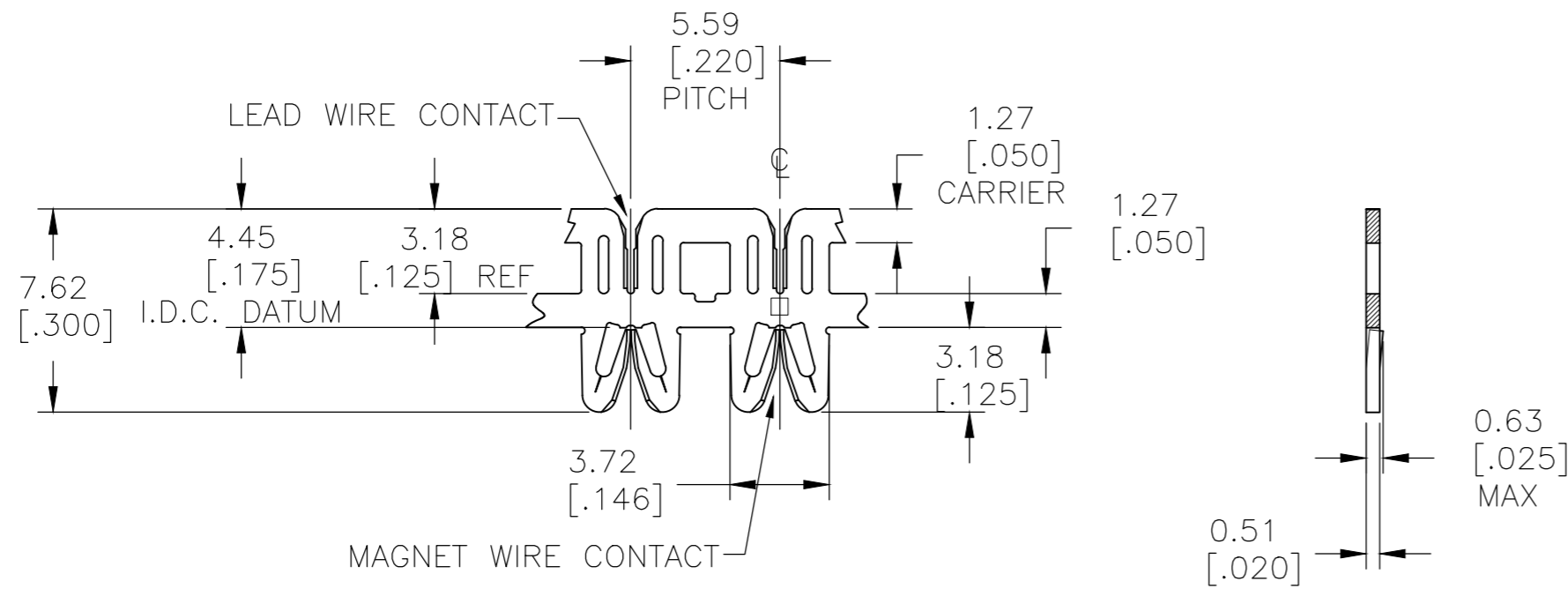


THIS DRAWING IS UNPUBLISHED. RELEASED FOR PUBLICATION  
 © COPYRIGHT - TE Connectivity Ltd. ALL RIGHTS RESERVED.

REVISIONS				
P	LTR	DESCRIPTION	DATE	APVD
A2		REVISED PER ECR-18-001902	9FEB2018	JH PKS



- SPECIFICATIONS:  
 MAGNET WIRE #27 - #36 AWG, 0.36[.0142] - 0.13[.005] DIA. COPPER LEAD WIRE #20 AWG,(0.5MM2), STRANDED, BONDED OR SOLID INSULATED LEAD WIRE. MAX INSULATION O.D. 2.9[.115] NO STRIPPING REQUIRED. OTHER SIZES MAY BE ACCOMMODATED, CONSULT TYCO ELECTRONICS FOR APPROVAL.
- POCKET RECOMMENDATION : #1601433
- TERMINAL APPLICATION TO COMPLY WITH TYCO ELECTRONICS SPECIFICATION 114-13166 FIGURE 3 OR 4.
- TWO(2) TERMINALS SHOWN FOR ILLUSTRATION PURPOSES ONLY.
- PRELIMINARY-NOT FOR PRODUCTION



-	-	-
-	-	-
POST TIN PLATED OVER NICKEL	-	1601237-2 $\Delta$ 5
UNPLATED	050-021-000	4-1601237-1
UNPLATED	150-022-000	2-1601237-1
UNPLATED	150-021-000	1601237-1
FINISH	REFERENCE PART NUMBER	TE PART NUMBER

THIS DRAWING IS A CONTROLLED DOCUMENT.		DWN 27JUN2007 RAGHAVENDRA	TE Connectivity Ltd.	
DIMENSIONS: mm [INCHES]		CHK 27JUN2007 G JACONO	NAME	
TOLERANCES UNLESS OTHERWISE SPECIFIED:		APVD 27JUN2007 G JACONO	FINE WIRE RANGE TO 20 AWG. SEMI-RIGID SIAMEZE TERMINAL	
0 PLC ± - 1 PLC ± - 2 PLC ± 0.13[.005] 3 PLC ± - 4 PLC ± - ANGLES ± 2°		PRODUCT SPEC 108-2244	SIZE	RESTRICTED TO
MATERIAL BRASS, SPRING HARD		FINISH SEE TABLE	WEIGHT 0.000000	CAGE CODE 00779
		APPLICATION SPEC 3	DRAWING NO C=1601237	REV A2
		CUSTOMER DRAWING	SCALE 4:1	SHEET 1 OF 1