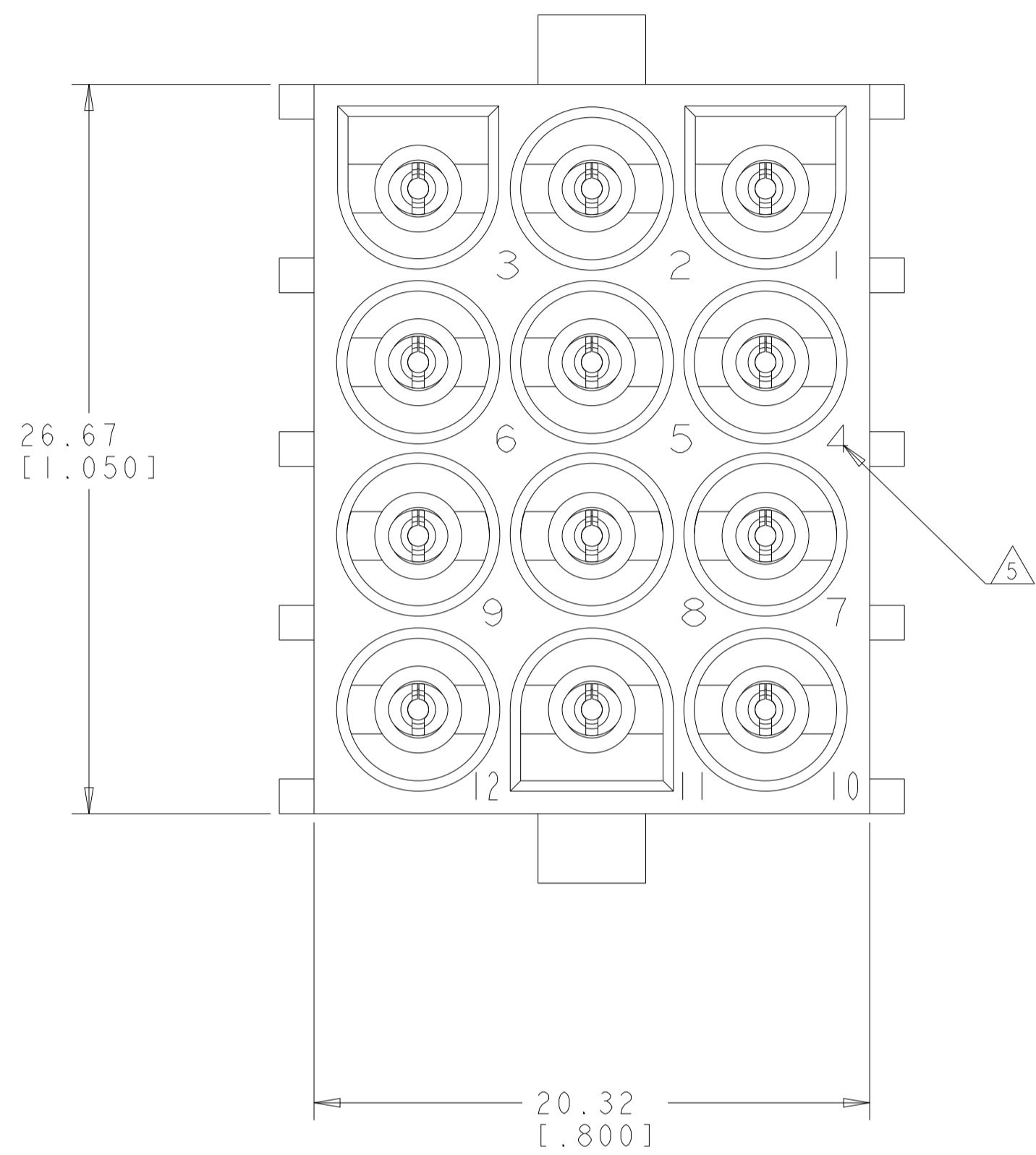
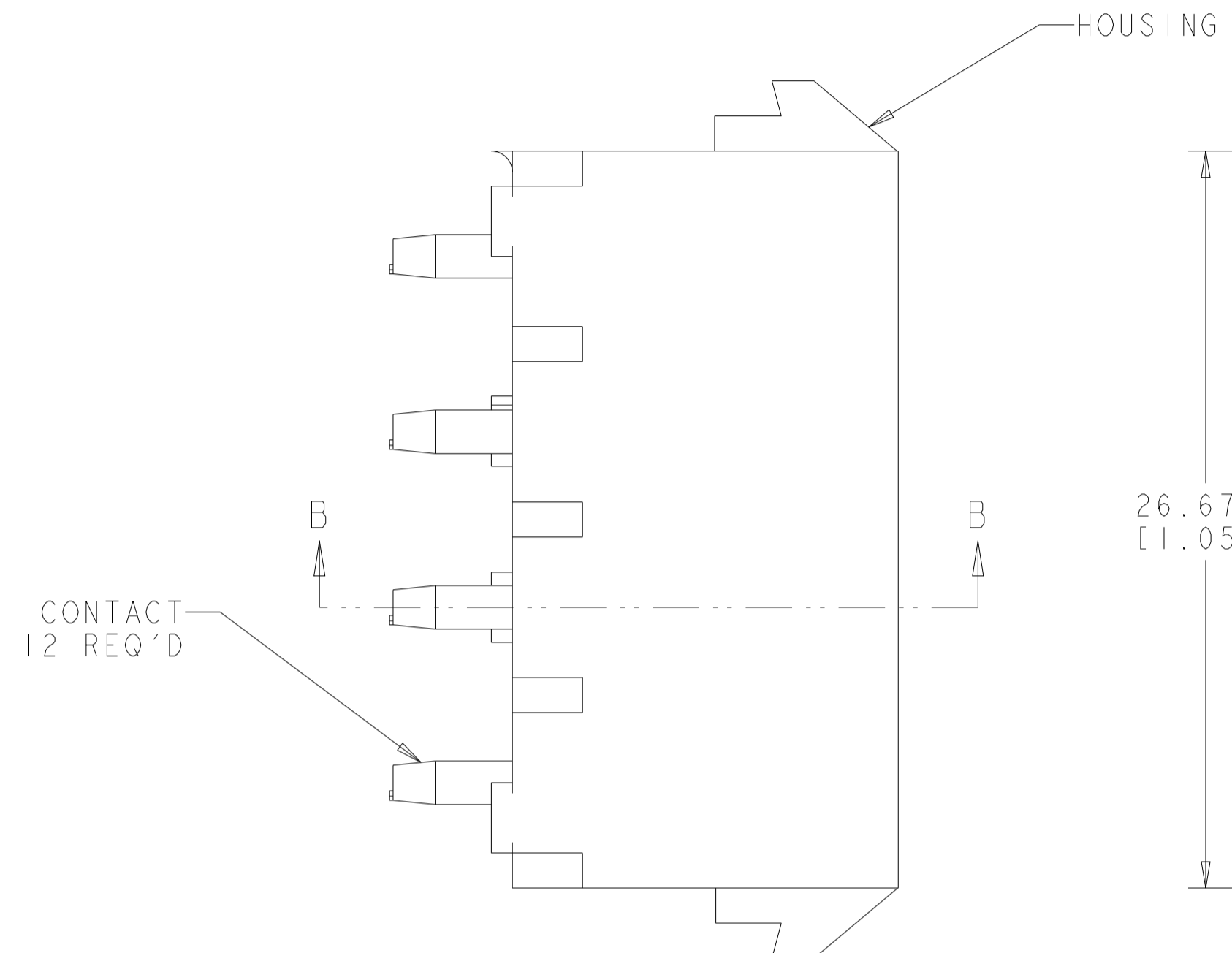
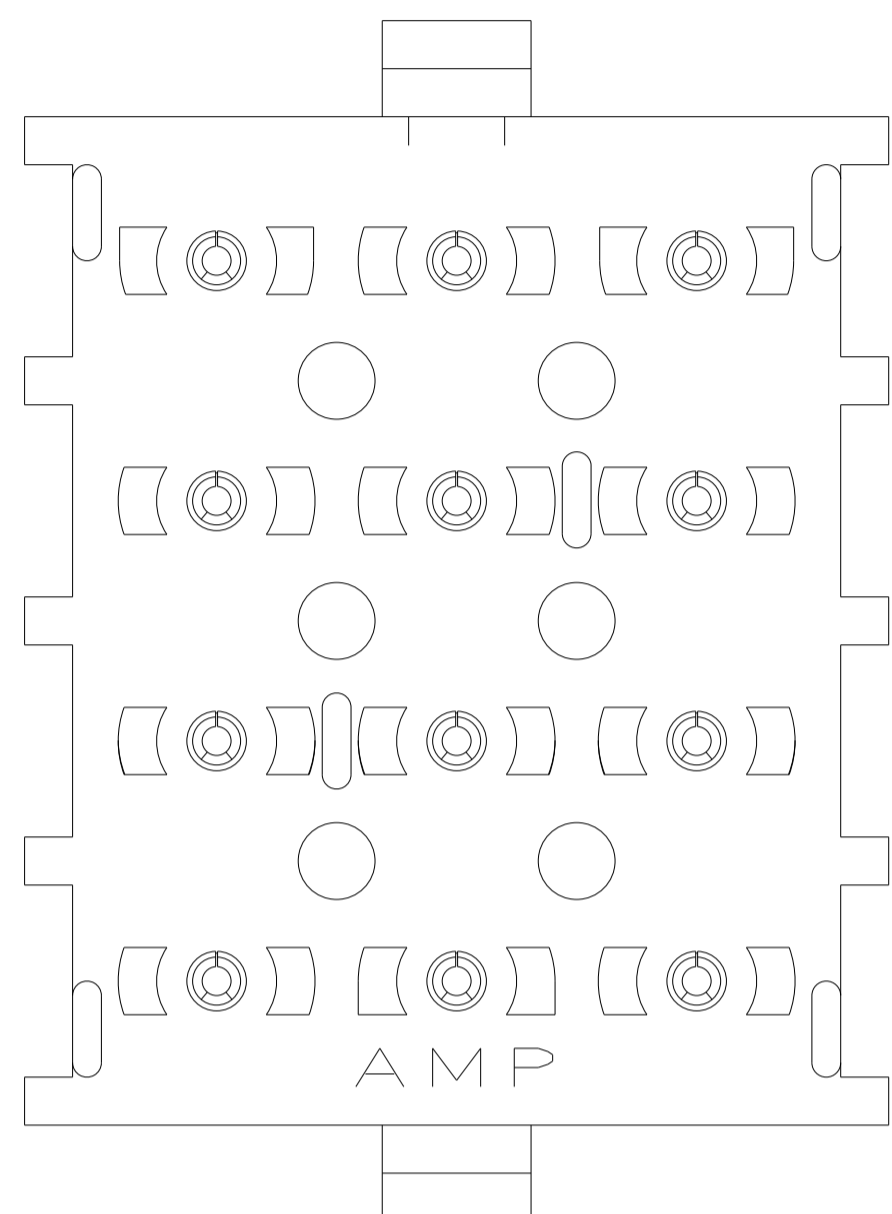
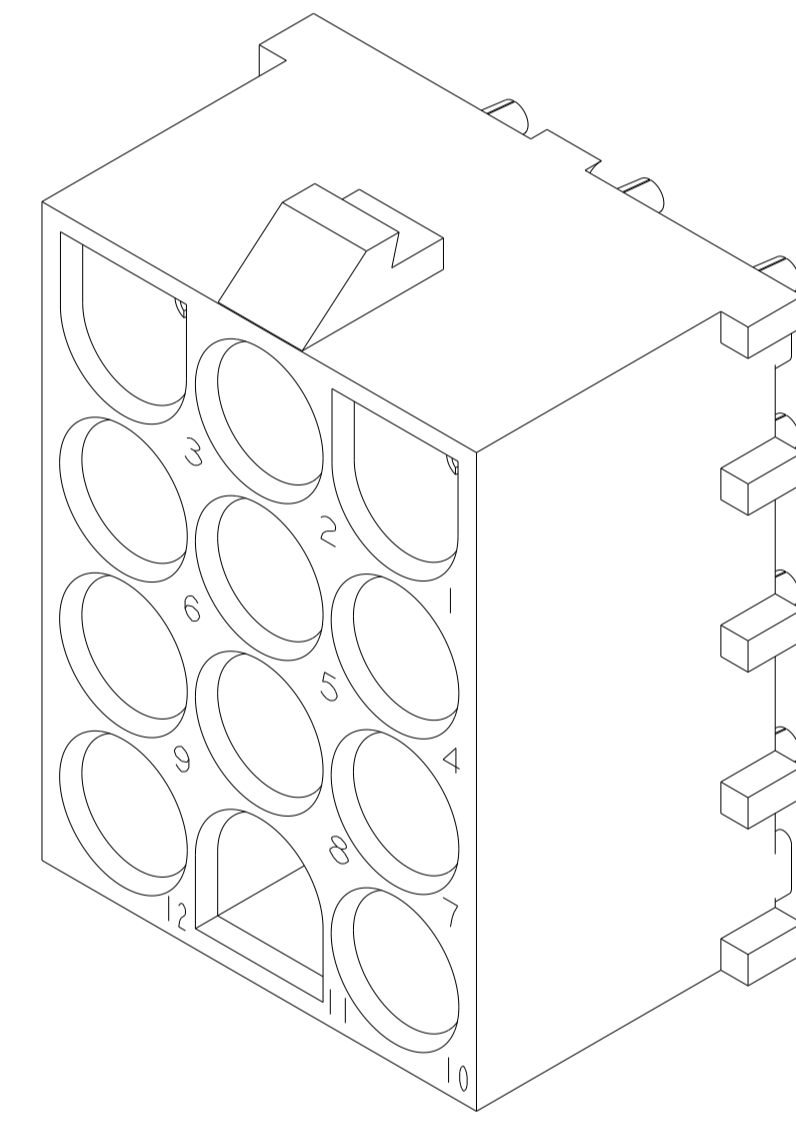


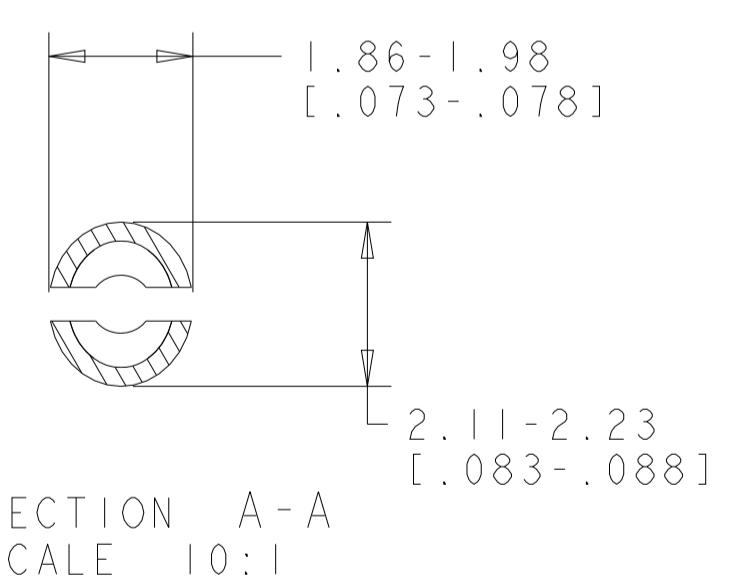
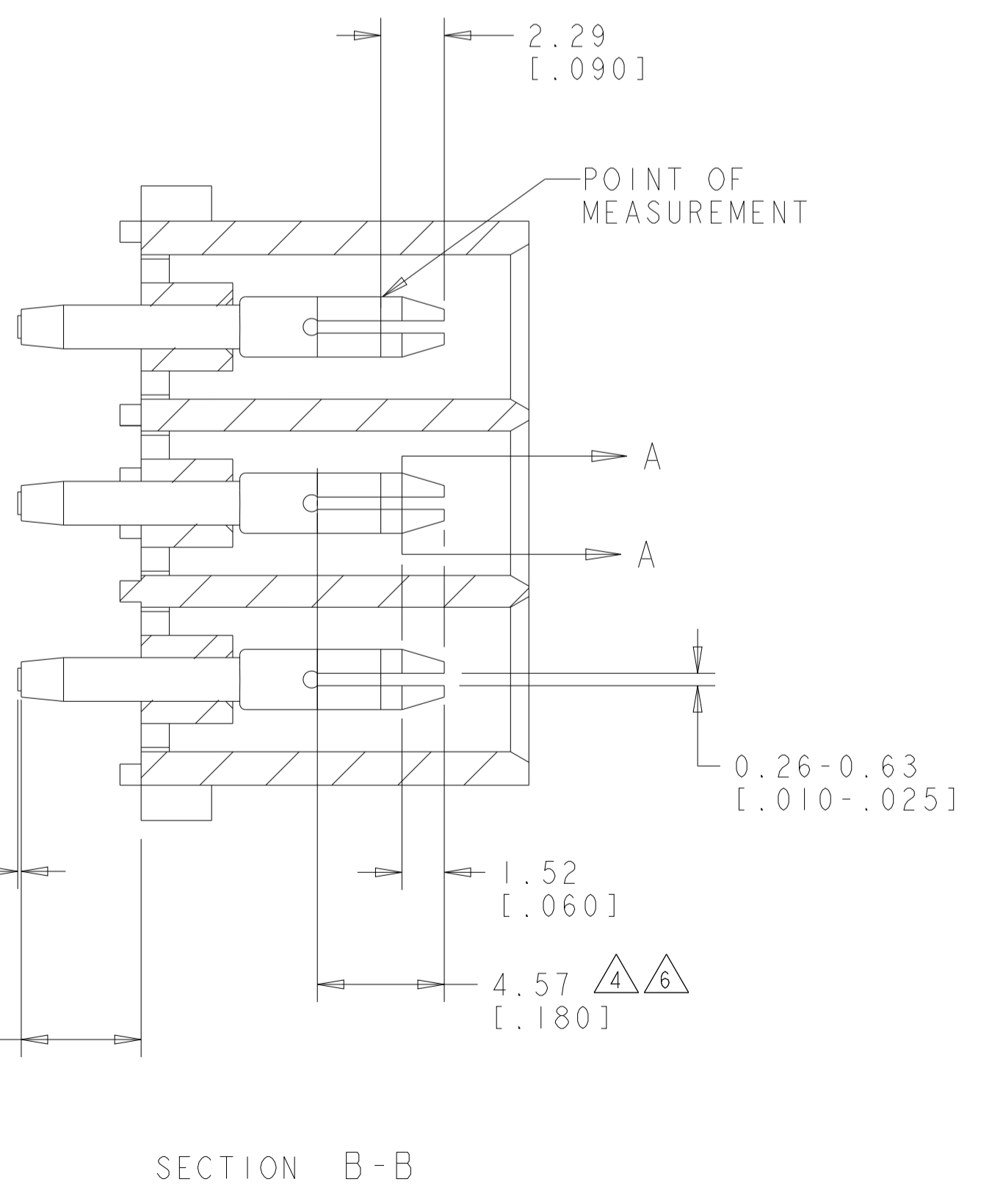
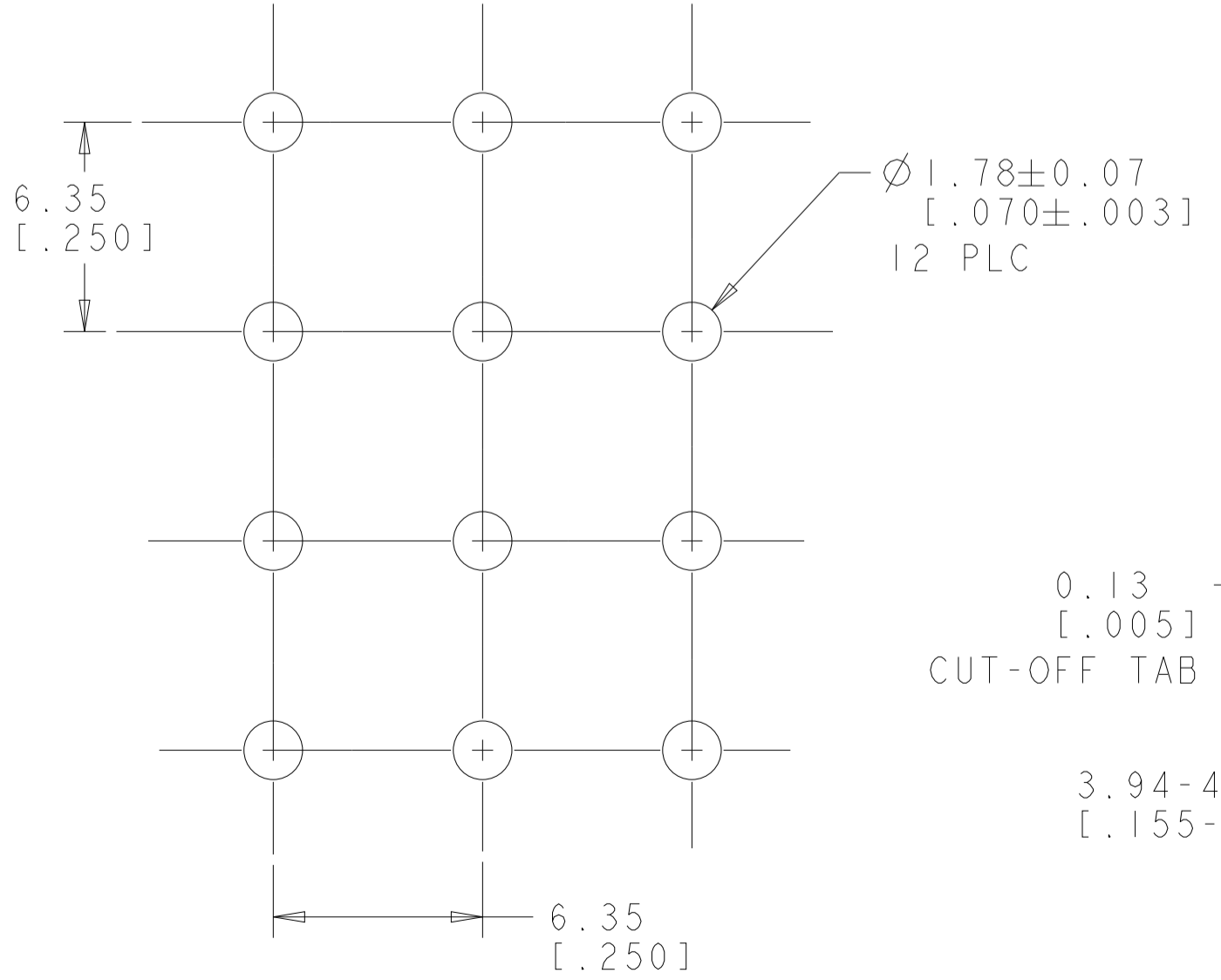
LOC	DIST	REVISIONS			
		REV	DATE	BY	CHK
CM	00	M2	24JAN2013	KH	TM
		M3	28JUL2022	SK	VS



1. MATES WITH HOUSING 350735.
2. NOTE DELETED.
3. PARTS COMPLY TO AMP SOLDERABILITY SPECIFICATION 109-11-3.
4. CONTACT IS PLATED OVERALL WITH 0.00127 [0.00050] NICKEL, THEN 0.00076 [0.00030] GOLD OVER CONTACT LENGTH INDICATED AND TIN LEAD ON SOLDER TAIL END.
5. CIRCUIT IDENTIFICATION CHARACTERS ARE ADJACENT TO THE INDICATED CAVITIES, BUT LOCATION AND ORIENTATION MAY DIFFER FROM PRINT.
6. CONTACT IS PLATED OVERALL WITH 0.00127 [0.00050] NICKEL, THEN 0.00076 [0.00030] GOLD OVER CONTACT LENGTH INDICATED AND MATTE TIN ON SOLDER TAIL END.
7. DIMENSIONS IN BRACKETS ARE IN INCHES.
8. SUPERSEDED BY 350713-4
9. DIMENSIONS WITH REPRESENT PRODUCT IN DRY CONDITION. ADDITIONAL 2% GROWTH DUE TO END USE LOCATION MOISTURE ABSORPTION MAY OCCUR AND SHOULD BE ACCOUNTED FOR.



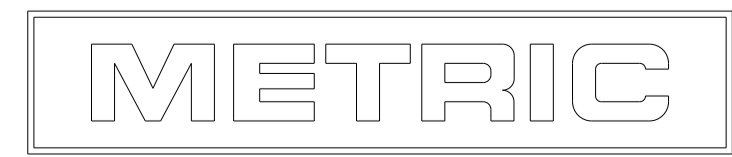
3 DIMENSIONAL MODEL  
SCALE 4:1



SECTION A-A  
SCALE 10:1

PIN CONTACT MATERIAL AND FINISH	HOUSING MATERIAL AND COLOR	PART NUMBER
PHOSPOR BRONZE, GOLD	NYLON, UL94V-0, NATURAL	350713-4
PHOSPOR BRONZE, GOLD	NYLON, UL94V-0, NATURAL	350713-2
PHOSPOR BRONZE, PRE-TIN	NYLON, UL94V-0, NATURAL	350713-1

RECOMMENDED MOUNTING HOLE PATTERN FOR 1.57 [0.062] THICK P.C. BOARD HOLE THAT CORRESPONDS TO REMOVED CONTACT CAN BE OMITTED



THIS DRAWING IS A CONTROLLED DOCUMENT.

DIMENSIONS: mm [INCHES]  
 TOLERANCES UNLESS OTHERWISE SPECIFIED:  
 0 PLC ±  
 1 PLC ±0.131 [0.005]  
 2 PLC ±  
 3 PLC ±  
 4 PLC ±  
 ANGLES: 40° 30'  
 FINISH: SEE TABLE

DWG: K. WHITAKER 25JULY2005  
 CHK: S. RIDGILL 25JULY2005  
 APVD: S. RIDGILL 25JULY2005  
 NAME: PIN HEADER ASSEMBLY, 12 CIRCUIT, UNIVERSAL MATE-N-LOK(TM)  
 SIZE: A1  
 CAGE CODE: 00779  
 DRAWING NO: 350713  
 SHEET 1 OF 1  
 REV: M3

CUSTOMER DRAWING  
 SCALE: 5:1