

Type 2 surge protection plug - F-MS 2200/30 ST - 2805392

Please be informed that the data shown in this PDF Document is generated from our Online Catalog. Please find the complete data in the user's documentation. Our General Terms of Use for Downloads are valid (<http://phoenixcontact.com/download>)



Surge protection plug type 2, spark gap with high insulation voltage strength, used only as replacement plug for the corresponding complete item.



Key commercial data

Packing unit	1 pc
Minimum order quantity	10 pc
Custom tariff number	85363010
Country of origin	Germany

Technical data

Dimensions

Height	52.4 mm
Width	17.5 mm
Depth	55.3 mm
Horizontal pitch	1 Div.

Ambient conditions

Degree of protection	IP20
Ambient temperature (operation)	-40 °C ... 80 °C
Ambient temperature (storage/transport)	-40 °C ... 80 °C
Altitude	≤ 2000 m (amsl (above mean sea level))
Permissible humidity (operation)	5 % ... 95 %
Shock (operation)	25g
Vibration (operation)	5g

General

Standards/specifications	IEC 61643-11 2011
	EN 61643-11 2012

Type 2 surge protection plug - F-MS 2200/30 ST - 2805392

Technical data

General

IEC test classification	II
	T2
EN type	T2
SPD design	Voltage-switching type
Mode of protection	L-PE
Mounting type	On base element
Color	black
Housing material	PA 6.6
Pollution degree	3
Distance between live and grounded parts	8 mm
Inflammability class according to UL 94	V-0
Type	DIN rail module, two-section, divisible
Number of positions	1
Surge protection fault message	Optical

Additional descriptions

Note	The F-MS 2200/30 ST protective plug is only to be used in connection with VAL-MS 750/30 ST (2920256) in series connection. It is not designed to be directly used on the mains voltage. Replacement plugs for use on product VAL-MS 800/30-VF/FM (2805402).
	$V_{SDC} > 2200 \text{ V}$

Protective circuit

Nominal frequency f_N	50 Hz
	60 Hz
Residual current I_{PE}	$\leq 3 \mu\text{A}$
Nominal discharge current I_n (8/20) μs	15 kA
Maximum discharge current I_{max} (8/20) μs	30 kA
Short-circuit current rating I_{SCCR}	25 kA
Voltage protection level U_p	$\leq 5 \text{ kV}$
Residual voltage U_{res}	$\leq 0.4 \text{ kV}$ (at I_n)
	$\leq 0.25 \text{ kV}$ (at 10 kA)
	$\leq 0.15 \text{ kV}$ (at 5 kA)
	$\leq 0.1 \text{ kV}$ (at 3 kA)
Front of wave sparkover voltage at 6 kV (1.2/50) μs	$\leq 5 \text{ kV}$
TOV behavior at U_T	1550 V AC (200 ms / withstand mode)
Response time t_A	$\leq 100 \text{ ns}$

Connection data

Type 2 surge protection plug - F-MS 2200/30 ST - 2805392

Technical data

Connection data

Connection method	VALVETRAB plug-in system
-------------------	--------------------------

Classifications

eCl@ss

eCl@ss 4.0	27140201
eCl@ss 4.1	27130801
eCl@ss 5.0	27130801
eCl@ss 5.1	27130801
eCl@ss 6.0	27130805
eCl@ss 7.0	27130805
eCl@ss 8.0	27130805

ETIM

ETIM 2.0	EC000941
ETIM 3.0	EC000941
ETIM 4.0	EC000941
ETIM 5.0	EC000941

UNSPSC

UNSPSC 6.01	30212010
UNSPSC 7.0901	39121610
UNSPSC 11	39121610
UNSPSC 12.01	39121610
UNSPSC 13.2	39121620

Approvals

Approvals

Approvals

KEMA-KEUR / ÖVE / GOST / GL / CCA / IECCEB Scheme / KEMA-KEUR / ÖVE

Ex Approvals

Approvals submitted

Type 2 surge protection plug - F-MS 2200/30 ST - 2805392

Approvals

Approval details


KEMA-KEUR 

ÖVE 

GOST 

GL

CCA

IECEE CB Scheme 

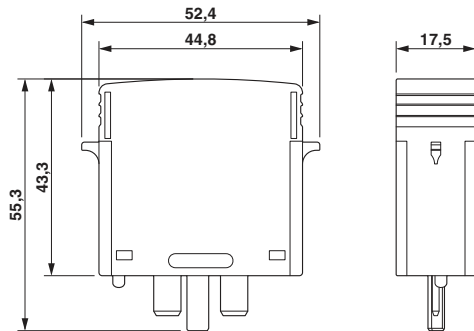
KEMA-KEUR 

ÖVE 

Drawings

Type 2 surge protection plug - F-MS 2200/30 ST - 2805392

Dimensioned drawing



Circuit diagram

