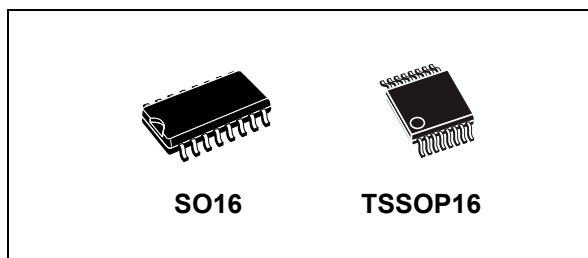


## 8-bit SIPO shift latch register (3-state)

Datasheet - production data



### Applications

- Automotive
- Industrial
- Computer
- Consumer

### Description

The M74HC4094 device is a high speed CMOS 8-bit SIPO shift latch register fabricated with silicon gate C<sup>2</sup>MOS technology. It consists of an 8-bit shift register and an 8-bit latch with 3-state output buffer. Data is shifted serially through the shift register on the positive going transition of the clock input signal. The output of the last stage (QS) can be used to cascade several devices.

Data on the QS output is transferred to a second output (QS') on the following negative transition of the clock input signal. The data of each stage of the shift register is provided with a latch, which latches data on the negative going transition of the STROBE input signal. When the STROBE input is held high, data propagates through the latch to a 3-state output buffer. This buffer is enabled when OUTPUT ENABLE input is taken high. All inputs are equipped with protection circuits against static discharge and transient excess voltage.

### Features

- High speed:  $f_{MAX} = 80$  MHz (typ.) at  $V_{CC} = 6$  V
- Low power dissipation:  
 $I_{CC} = 4$   $\mu$ A (max.) at  $T_A = 25$  °C
- High noise immunity:  
 $V_{NIH} = V_{NIL} = 28\%$   $V_{CC}$  (min.)
- Symmetrical output impedance:  
 $|I_{OH}| = I_{OL} = 4$  mA (min.)
- Balanced propagation delays:  $t_{PLH} \cong t_{PHL}$
- Wide operating voltage range:  
 $V_{CC}$  (opr.) = 2 V to 6 V
- Pin and function compatible with 74 series 4094
- ESD performance
  - CDM: 1 kV
  - HBM: 2 kV
  - MM: 200 V

Table 1. Device summary

Order code	Temperature range	Package	Packaging	Marking
M74HC4094RM13TR	-55/+125 °C	SO16	Tape and reel	74HC4094
M74HC4094YRM13TR <sup>(1)</sup>	-40/+125 °C	SO16 (automotive grade)		74HC4094Y
M74HC4094TTR	-55/+125 °C	TSSOP16		HC4094
M74HC4094YTTR <sup>(1)</sup>	-40/+125 °C	TSSOP16 (automotive grade)		HC4094Y

1. Qualification and characterization according to AEC Q100 and Q003 or equivalent, advanced screening according to AEC Q001 and Q002 or equivalent.

# Contents

- 1      Pin information ..... 3**
- 2      Functional description ..... 4**
- 3      Electrical description ..... 6**
- 4      Package information ..... 12**
  - 4.1    SO16 package information ..... 13
  - 4.2    TSSOP16 package information ..... 14
- 5      Ordering information ..... 15**
- 6      Revision history ..... 16**

# 1 Pin information

Figure 1. Pin connection and IEC logic symbols

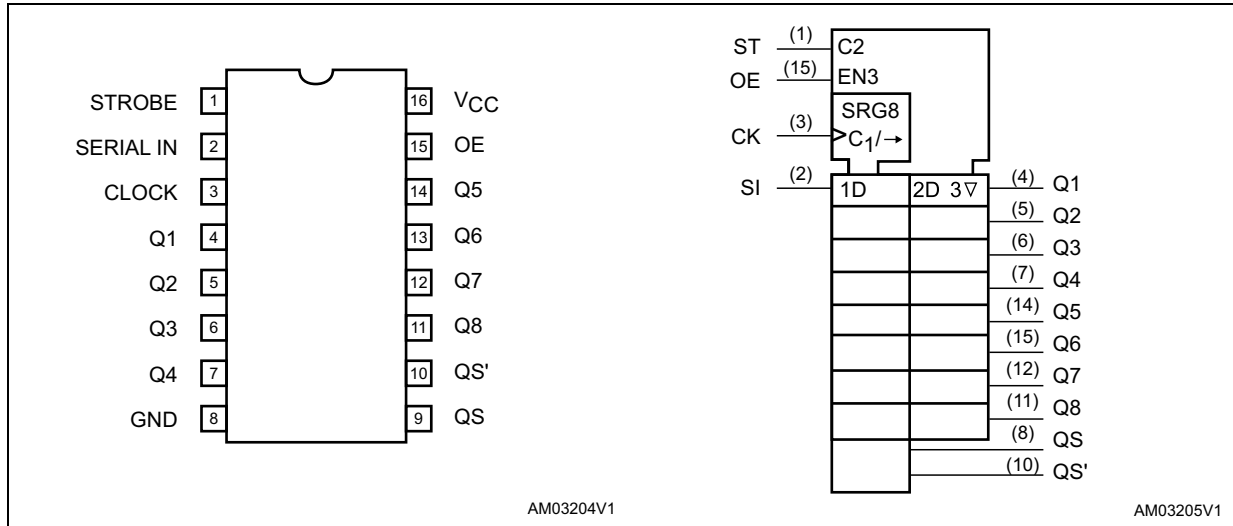
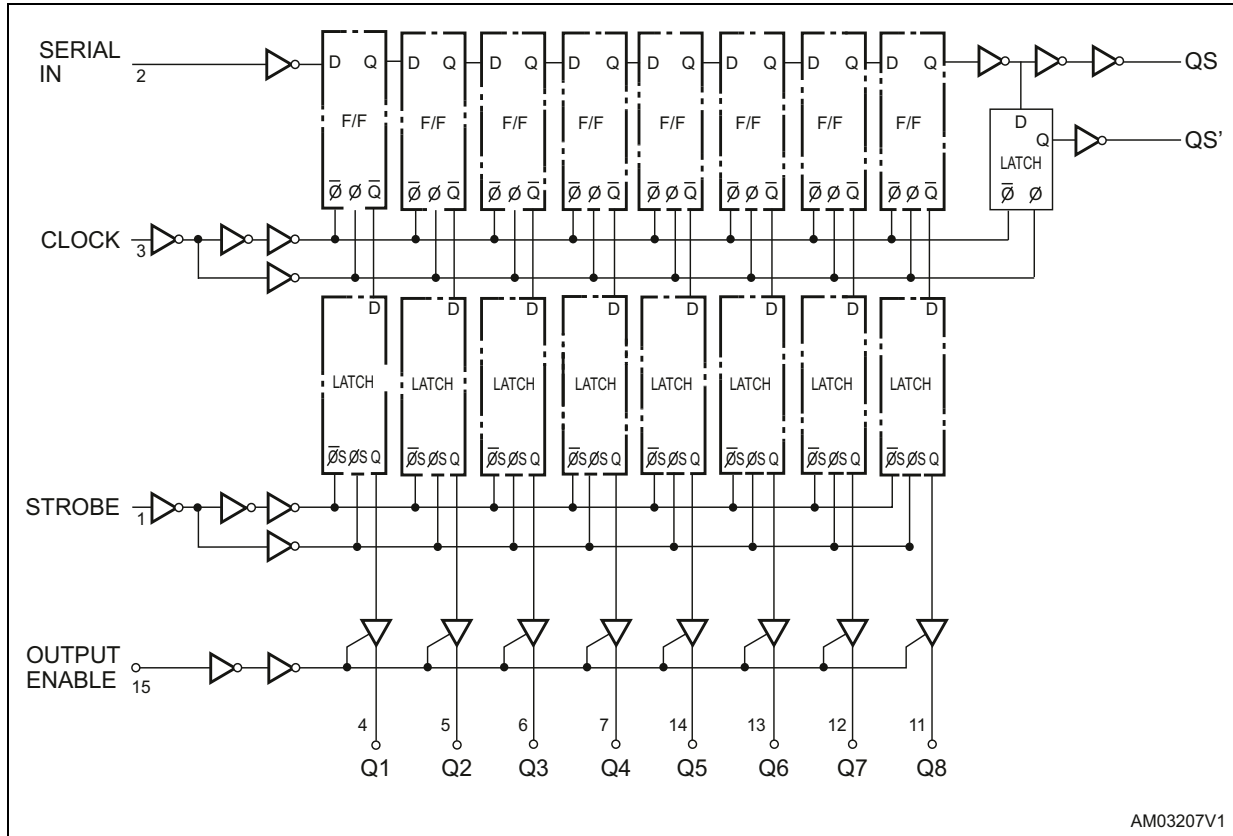


Table 2. Pin description

Pin no	Symbol	Name and function
1	STROBE	Strobe input
2	SERIAL IN	Serial input
3	CLOCK	Clock input
4, 5, 6, 7, 14, 13, 12, 11	Q1 to Q7	Parallel outputs
9, 10	QS, QS'	Serial outputs
15	OE	Output enable input
8	GND	Ground (0 V)
16	V <sub>CC</sub>	Positive supply voltage

## 2 Functional description

Figure 2. Logic diagram



AM03207V1

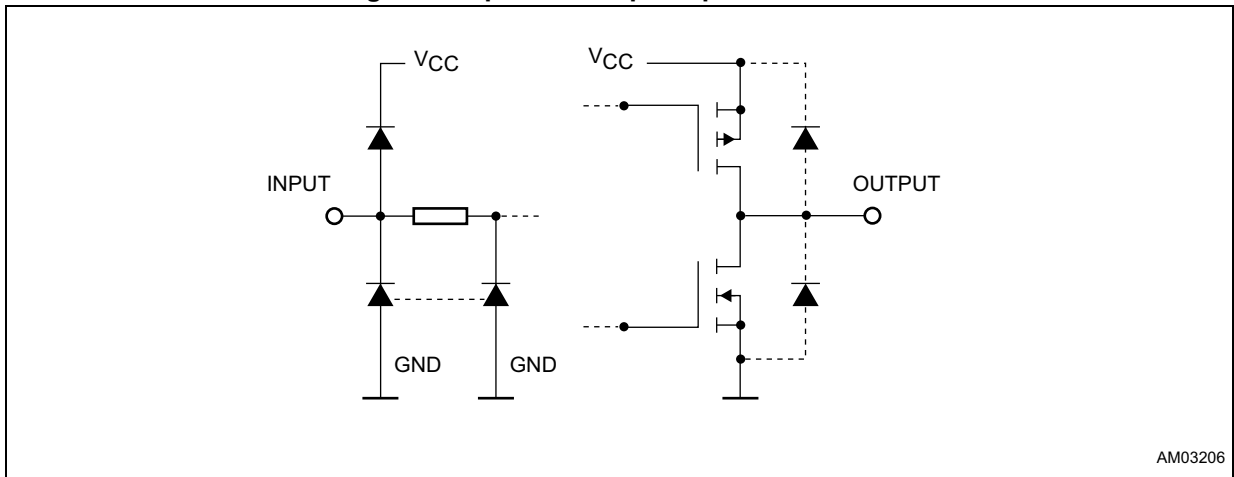
1. This logic diagram has not be used to estimate propagation delays.

Table 3. Truth table<sup>(1)</sup>

CK	OE	ST	SI	Parallel outputs		Serial outputs	
				Q1	Qn	QS	QS'
$\text{H}$	H	H	L	L	Qn-1	Q7	NC
$\text{H}$	H	H	H	H	Qn-1	Q7	NC
$\text{H}$	H	L	X	NC	NC	Q7	NC
$\text{L}$	L	X	X	Z	Z	Q7	NC
$\text{L}$	H	X	X	NC	NC	NC	QS
$\text{H}$	L	X	X	Z	Z	NC	QS

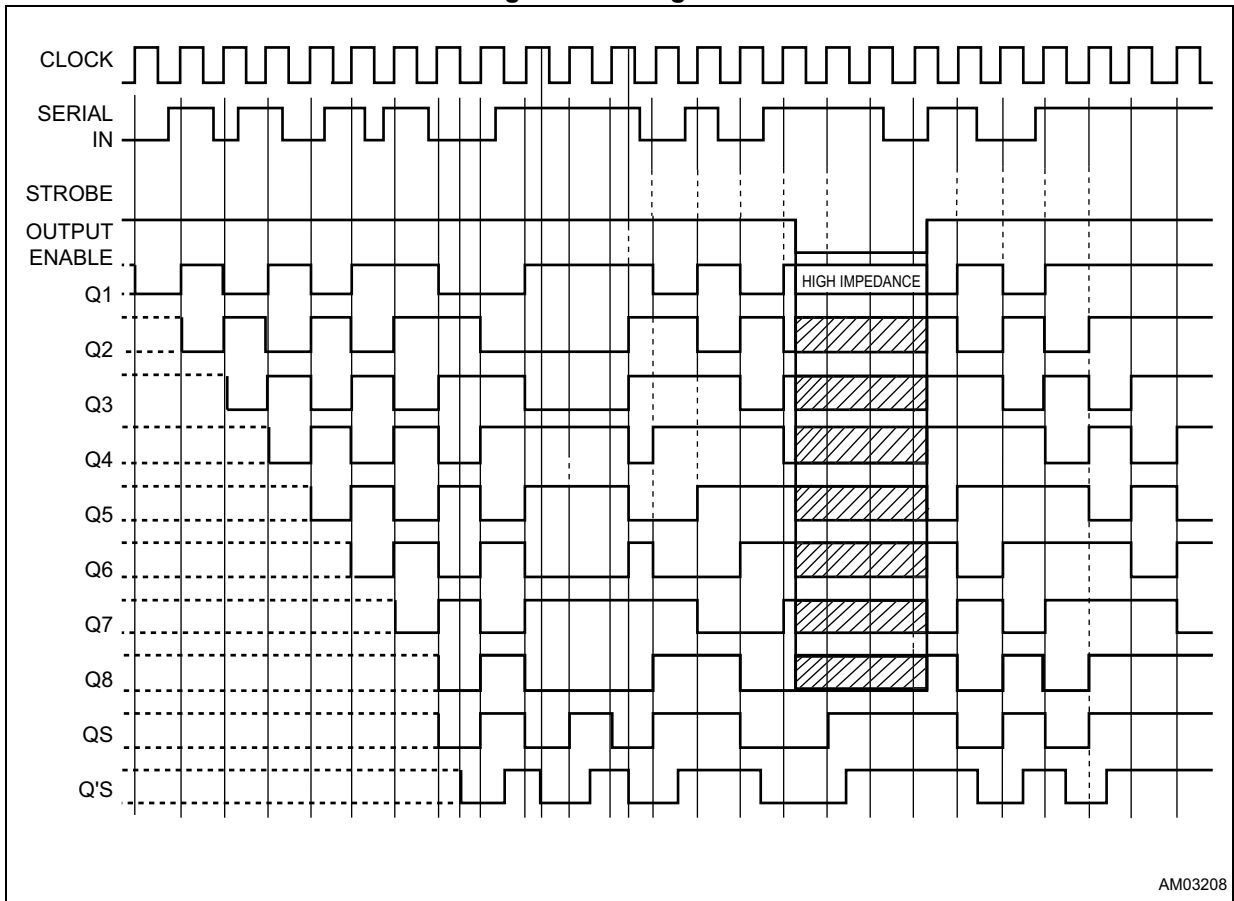
1. X: don't care  
Z: high impedance  
NC: no change.

Figure 3. Input and output equivalent circuit



AM03206

Figure 4. Timing chart



AM03208

### 3 Electrical description

**Table 4. Absolute maximum ratings<sup>(1)</sup>**

Symbol	Parameter	Value	Unit
$V_{CC}$	Supply voltage	-0.5 to +7	V
$V_I$	DC input voltage	-0.5 to $V_{CC} + 0.5$	V
$V_O$	DC output voltage	-0.5 to $V_{CC} + 0.5$	V
$I_{IK}$	DC input diode current	$\pm 20$	mA
$I_{OK}$	DC output diode current	$\pm 20$	mA
$I_O$	DC output current	$\pm 25$	mA
$I_{CC}$ or $I_{GND}$	DC $V_{CC}$ or ground current	$\pm 50$	mA
$P_D$	Power dissipation	500 <sup>(2)</sup>	mW
$T_{stg}$	Storage temperature	-65 to +150	°C
$T_L$	Lead temperature (10 sec.)	300	°C

1. Absolute maximum ratings are those values beyond which damage to the device may occur. Functional operation under these conditions is not implied.
2. 500 mW at 65 °C; derate to 300 mW by 10 mW/°C from 65 °C to 85 °C.

**Table 5. Recommended operating conditions**

Symbol	Parameter	Value	Unit	
$V_{CC}$	Supply voltage	2 to 6	V	
$V_I$	Input voltage	0 to $V_{CC}$	V	
$V_O$	Output voltage	0 to $V_{CC}$	V	
$T_{op}$	Operating temperature	-55 to 125	°C	
$t_r, t_f$	Input rise and fall time	$V_{CC} = 2.0\text{ V}$	0 to 1000	ns
		$V_{CC} = 4.5\text{ V}$	0 to 500	ns
		$V_{CC} = 6.0\text{ V}$	0 to 400	ns

Table 6. DC specifications

Symbol	Parameter	Test condition		Value						Unit	
		V <sub>CC</sub> (V)		T <sub>A</sub> = 25 °C			-40 to 85 °C		-55 to 125 °C		
				Min.	Typ.	Max.	Min.	Max.	Min.		Max.
V <sub>IH</sub>	High level input voltage	2.0		1.5			1.5		1.5		V
		4.5		3.15			3.15		3.15		
		6.0		4.2			4.2		4.2		
V <sub>IL</sub>	Low level input voltage	2.0				0.5		0.5		0.5	V
		4.5				1.35		1.35		1.35	
		6.0				1.8		1.8		1.8	
V <sub>OH</sub>	High level output voltage	2.0	I <sub>O</sub> = -20 μA	1.9	2.0		1.9		1.9		V
		4.5	I <sub>O</sub> = -20 μA	4.4	4.5		4.4		4.4		
		6.0	I <sub>O</sub> = -20 μA	5.9	6.0		5.9		5.9		
		4.5	I <sub>O</sub> = -4.0 mA	4.18	4.31		4.13		4.10		
		6.0	I <sub>O</sub> = -5.2 mA	5.68	5.8		5.63		5.60		
V <sub>OL</sub>	Low level output voltage	2.0	I <sub>O</sub> = 20 μA		0.0	0.1		0.1		0.1	V
		4.5	I <sub>O</sub> = 20 μA		0.0	0.1		0.1		0.1	
		6.0	I <sub>O</sub> = 20 μA		0.0	0.1		0.1		0.1	
		4.5	I <sub>O</sub> = 4.0 mA		0.17	0.26		0.33		0.40	
		6.0	I <sub>O</sub> = 5.2 mA		0.18	0.26		0.33		0.40	
I <sub>I</sub>	Input leakage current	6.0	V <sub>I</sub> = V <sub>CC</sub> or GND			±0.1		±1		±1	μA
I <sub>OZ</sub>	High impedance output leakage current	6.0	V <sub>I</sub> = V <sub>IH</sub> or V <sub>IL</sub> V <sub>O</sub> = V <sub>CC</sub> or GND			±0.5		±5		±10	μA
I <sub>CC</sub>	Quiescent supply current	6.0	V <sub>I</sub> = V <sub>CC</sub> or GND			4		40		80	μA

Table 7. AC electrical characteristics (C<sub>L</sub> = 50 pF, input t<sub>r</sub> = t<sub>f</sub> = 6 ns)

Symbol	Parameter	Test condition		Value						Unit	
		V <sub>CC</sub> (V)		T <sub>A</sub> = 25 °C			-40 to 85 °C		-55 to 125 °C		
				Min.	Typ.	Max.	Min.	Max.	Min.		Max.
t <sub>TLH</sub> , t <sub>THL</sub>	Output transition time	2.0			30	75		95		115	ns
		4.5			8	15		19		23	
		6.0			7	13		16		20	
t <sub>PLH</sub> , t <sub>PHL</sub>	Propagation delay time (CLOCK - Qn)	2.0			92	200		250		300	ns
		4.5			26	40		50		60	
		6.0			20	34		43		51	
t <sub>PLH</sub> , t <sub>PHL</sub>	Propagation delay time (CLOCK - QS, QS')	2.0			65	150		190		225	ns
		4.5			19	30		38		45	
		6.0			15	26		32		38	
t <sub>PLH</sub> , t <sub>PHL</sub>	Propagation delay time (STROBE - Qn)	2.0			75	160		200		240	ns
		4.5			20	32		40		48	
		6.0			16	27		34		41	
t <sub>PZH</sub> , t <sub>PZH</sub>	High impedance output enable time	2.0			58	150		190		225	ns
		4.5			16	30		38		45	
		6.0			13	26		32		38	
t <sub>PHZ</sub> , t <sub>PLZ</sub>	High impedance output disable time	2.0			35	150		190		225	ns
		4.5			16	30		38		45	
		6.0			13	26		32		38	
f <sub>MAX</sub>	Maximum clock frequency	2.0		6	16		4.8		4		MHz
		4.5		30	66		24		20		
		6.0		35	80		28		24		
t <sub>W(H)</sub> , t <sub>W(L)</sub>	Minimum pulse width	2.0			17	75		95		110	ns
		4.5			7	15		19		22	
		6.0			6	13		16		19	
t <sub>W(L)</sub>	Minimum pulse width	2.0			28	75		95		110	ns
		4.5			6	15		19		22	
		6.0			6	13		16		19	
t <sub>s</sub>	Minimum set-up time (SERIAL INPUT)	2.0			30	75		95		110	ns
		4.5			7	15		19		22	
		6.0			5	13		16		19	



Table 7. AC electrical characteristics ( $C_L = 50 \text{ pF}$ , input  $t_r = t_f = 6 \text{ ns}$ ) (continued)

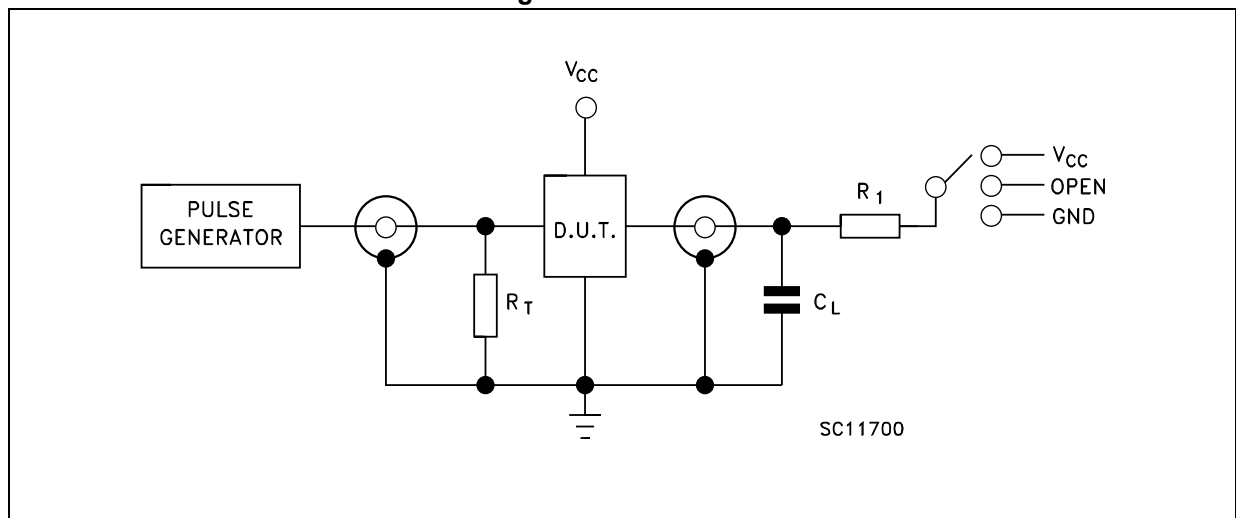
Symbol	Parameter	Test condition		Value						Unit	
		$V_{CC}$ (V)		$T_A = 25 \text{ }^\circ\text{C}$			$-40 \text{ to } 85 \text{ }^\circ\text{C}$		$-55 \text{ to } 125 \text{ }^\circ\text{C}$		
				Min.	Typ.	Max.	Min.	Max.	Min.		Max.
$t_s$	Minimum set-up time (STROBE)	2.0			45	100		125		145	ns
		4.5			10	20		25		29	
		6.0			8	17		21		25	
$t_h$	Minimum hold time (SI, ST)	2.0				0		0		0	ns
		4.5				0		0		0	
		6.0				0		0		0	

Table 8. Capacitive characteristics

Symbol	Parameter	Test condition		Value						Unit	
		$V_{CC}$ (V)		$T_A = 25 \text{ }^\circ\text{C}$			$-40 \text{ to } 85 \text{ }^\circ\text{C}$		$-55 \text{ to } 125 \text{ }^\circ\text{C}$		
				Min.	Typ.	Max.	Min.	Max.	Min.		Max.
$C_{IN}$	Input capacitance	5.0			5	10		10		10	pF
$C_{PD}$	Power dissipation capacitance <sup>(1)</sup>	5.0			140						pF

1.  $C_{PD}$  is defined as the value of the IC's internal equivalent capacitance which is calculated from the operating current consumption without load. (Refer to [Figure 5: Test circuit](#)). Average operating current can be obtained by the following equation:  $I_{CC(opr)} = C_{PD} \times V_{CC} \times f_{IN} + I_{CC}/2$  (per flip-flop).

Figure 5. Test circuit

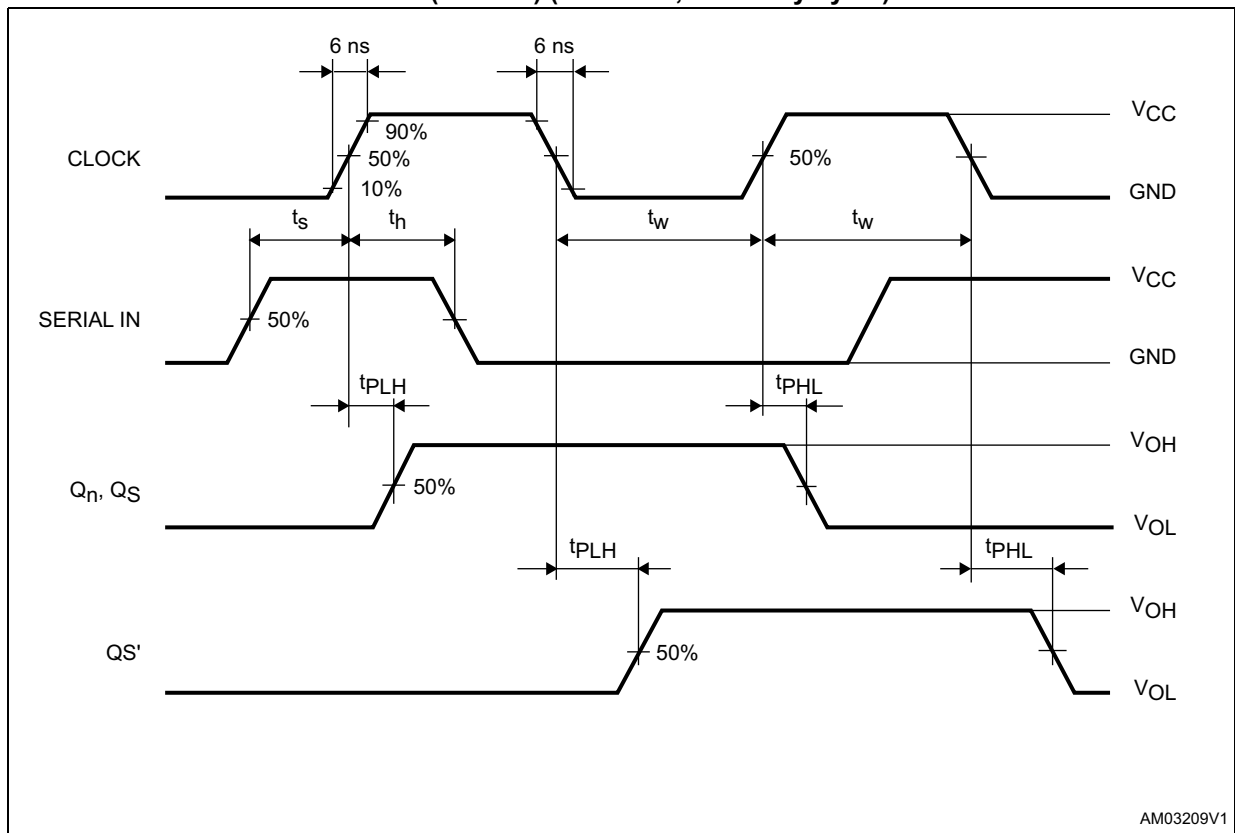


**Table 9. Propagation delay time configuration**

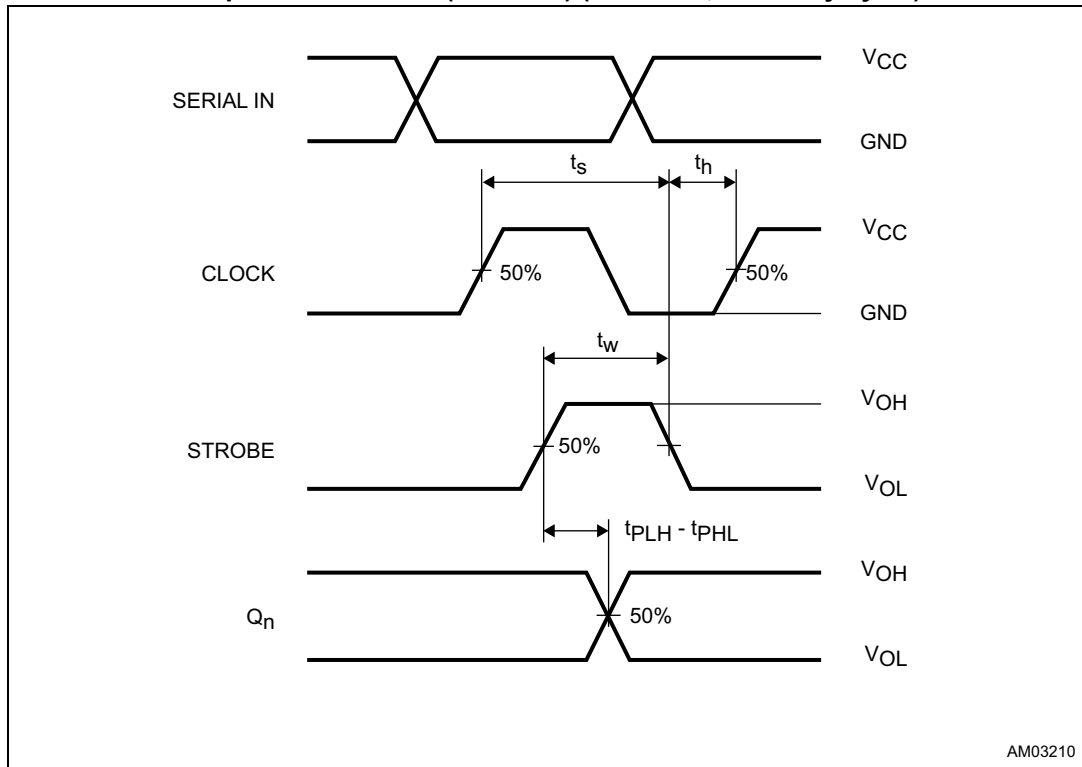
Test	Switch
$t_{PLH}$ , $t_{PHL}$	Open
$t_{PZL}$ , $t_{PLZ}$	$V_{CC}$
$t_{PZH}$ , $t_{PHZ}$	GND

Note:  $C_L = 50\text{ pF}/150\text{ pF}$  or equivalent (includes jig and probe capacitance).  
 $R_1 = 1\text{ K}\Omega$  or equivalent.  
 $R_T = Z_{OUT}$  of pulse generator (typically  $50\ \Omega$ ).

**Figure 6. Waveform 1 - propagation delay times, minimum pulse width (CLOCK), setup and hold times (CLOCK) (f = 1 MHz; 50% duty cycle)**

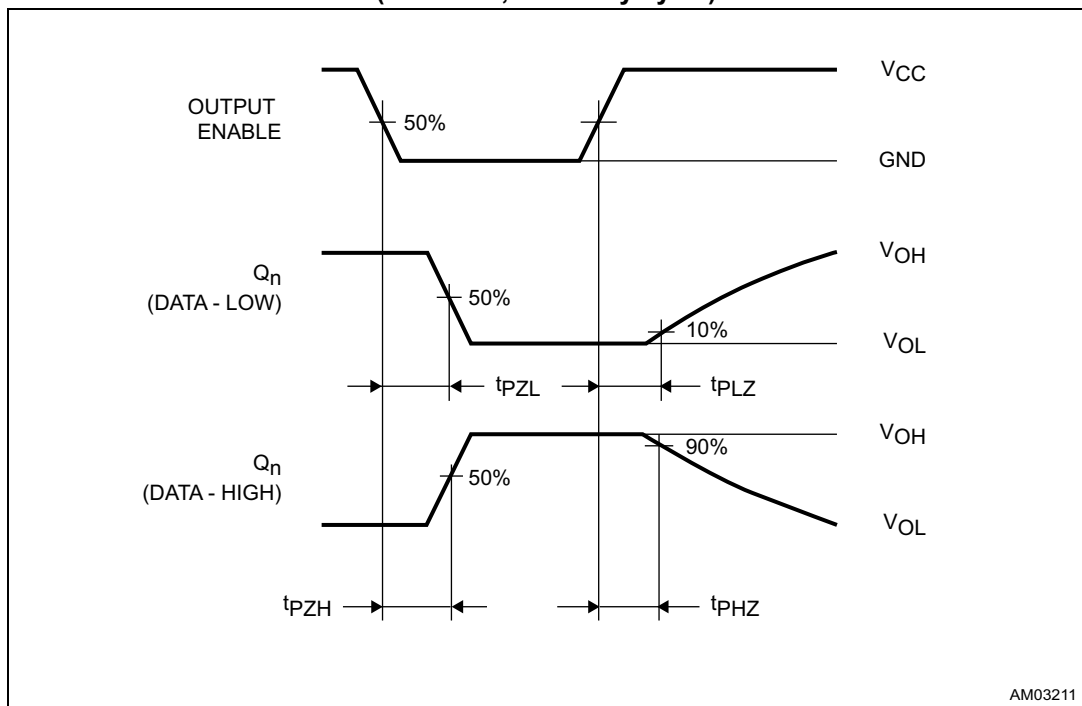


**Figure 7. Waveform 2 - propagation delay times, minimum pulse width (STROBE), setup and hold times (STROBE) (f = 1 MHz; 50% duty cycle)**



AM03210

**Figure 8. Waveform 3 - OUTPUT ENABLE and DISABLE times (f = 1 MHz; 50% duty cycle)**



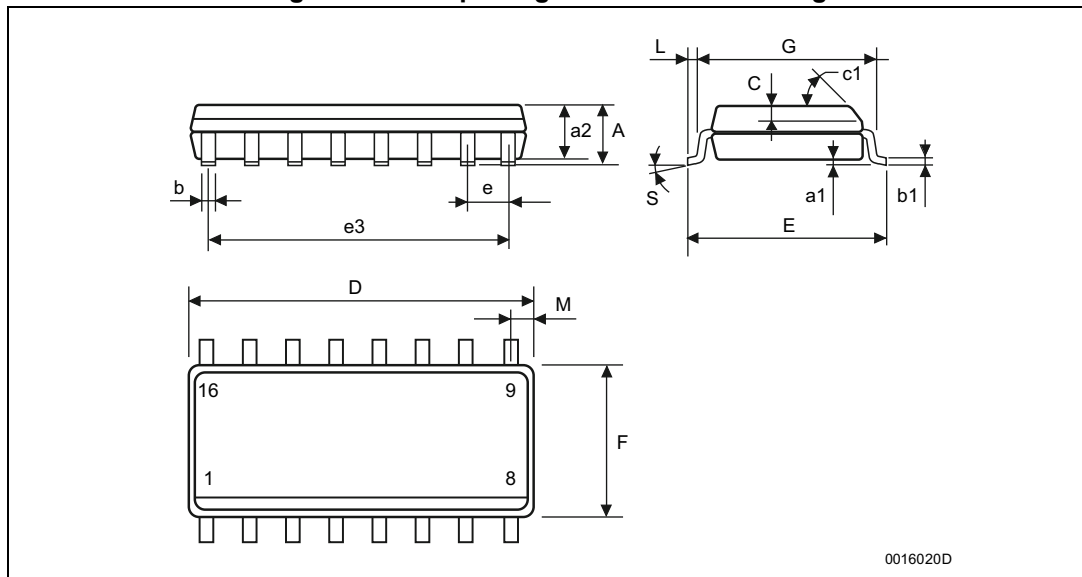
AM03211

## 4 Package information

In order to meet environmental requirements, ST offers these devices in different grades of ECOPACK<sup>®</sup> packages, depending on their level of environmental compliance. ECOPACK specifications, grade definitions and product status are available at: [www.st.com](http://www.st.com). ECOPACK is an ST trademark.

## 4.1 SO16 package information

Figure 9. SO16 package mechanical drawing



0016020D

Table 10. SO16 package mechanical data

Symbol	Dimensions					
	mm			inch		
	Min.	Typ.	Max.	Min.	Typ.	Max.
A			1.75			0.068
a1	0.1		0.2	0.004		0.008
a2			1.65			0.064
b	0.35		0.46	0.013		0.018
b1	0.19		0.25	0.007		0.010
C		0.5			0.019	
c1	45° (typ.)					
D	9.8		10	0.385		0.393
E	5.8		6.2	0.228		0.244
e		1.27			0.050	
e3		8.89			0.350	
F	3.8		4.0	0.149		0.157
G	4.6		5.3	0.181		0.208
L	0.5		1.27	0.019		0.050
M			0.62			0.024
S	8° (max.)					

## 4.2 TSSOP16 package information

Figure 10. TSSOP16 package mechanical drawing

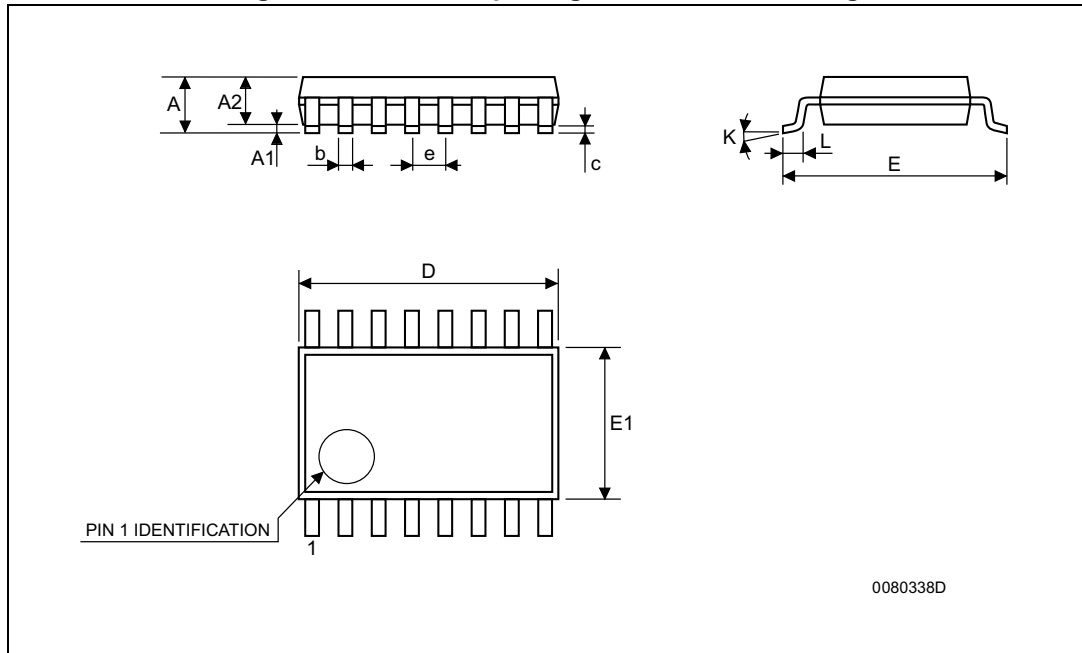


Table 11. TSSOP16 package mechanical data

Symbol	Dimensions					
	mm			inch		
	Min.	Typ.	Max.	Min.	Typ.	Max.
A			1.2			0.047
A1	0.05		0.15	0.002	0.004	0.006
A2	0.8	1	1.05	0.031	0.039	0.041
b	0.19		0.30	0.007		0.012
c	0.09		0.20	0.004		0.0079
D	4.9	5.5	.1	0.193	0.197	0.201
E	6.2	6.4	6.6	0.244	0.252	0.260
E1	4.3	4.4	4.48	0.169	0.173	0.176
e		0.65 BSC			0.0256 BSC	
K	0°		8°	0°		8°
L	0.45	0.60	0.75	0.018	0.024	0.030

## 5 Ordering information

Table 12. Order codes

Order code	Temperature range	Package	Packaging	Marking
M74HC4094RM13TR	-55/+125 °C	SO16	Tape and reel	74HC4094
M74HC4094YRM13TR <sup>(1)</sup>	-40/+125 °C	SO16 (automotive grade)		74HC4094Y
M74HC4094TTR	-55/+125 °C	TSSOP16		HC4094
M74HC4094YTTR <sup>(1)</sup>	-40/+125° °C	TSSOP16 (automotive grade)		HC4094Y

1. Qualification and characterization according to AEC Q100 and Q003 or equivalent, advanced screening according to AEC Q001 and Q002 or equivalent are ongoing.

## 6 Revision history

**Table 13. Document revision history**

Date	Revision	Changes
15-Apr-2013	3	<p>Added <i>Applications</i> to page 1.</p> <p>Updated <i>Table 1</i> (updated data, removed M74HC4094M1R order code, added M74HC4094RM13TR, M74HC4094YRM13TR, M74HC4094TTR, and M74HC4094YTTR order code, temperature range, marking, updated package and packaging).</p> <p>Redrawn <i>Figure 1</i> to <i>Figure 4</i> and <i>Figure 6</i> to <i>Figure 8</i>.</p> <p>Moved <i>Figure 1</i> to page 3.</p> <p>Added <i>Contents</i>.</p> <p>Added titles to <i>Section 1</i> to <i>Section 6</i> (reformatted <i>Section 1</i> and <i>Section 2</i>).</p> <p>Added title to <i>Table 9</i>.</p> <p>Added cross-reference to note 1. below <i>Table 8</i>.</p> <p>Added ECOPACK text to <i>Section 4</i>, reformatted <i>Section 4</i> (reversed order of figures and tables, added titles to <i>Table 10</i> to <i>Table 11</i> and <i>Figure 9</i> to <i>Figure 11</i>).</p> <p>Added <i>Table 13</i>.</p> <p>Minor corrections throughout document.</p>
12-Aug-2013	4	<p><i>Features</i>: added ESD data</p> <p><i>Table 1</i>: updated marking of automotive order codes.</p> <p>Added <i>Section 5: Ordering information</i></p>
15-Oct-2013	5	<p>Removed DIP package.</p> <p><i>Table 1: Device summary</i>: removed “on going” from footnote 1.</p> <p><i>Table 1: Device summary</i> and <i>Table 12: Order codes</i>: added specific marking containing “Y” for all automotive products.</p> <p>Updated disclaimer.</p>



**Please Read Carefully:**

Information in this document is provided solely in connection with ST products. STMicroelectronics NV and its subsidiaries ("ST") reserve the right to make changes, corrections, modifications or improvements, to this document, and the products and services described herein at any time, without notice.

All ST products are sold pursuant to ST's terms and conditions of sale.

Purchasers are solely responsible for the choice, selection and use of the ST products and services described herein, and ST assumes no liability whatsoever relating to the choice, selection or use of the ST products and services described herein.

No license, express or implied, by estoppel or otherwise, to any intellectual property rights is granted under this document. If any part of this document refers to any third party products or services it shall not be deemed a license grant by ST for the use of such third party products or services, or any intellectual property contained therein or considered as a warranty covering the use in any manner whatsoever of such third party products or services or any intellectual property contained therein.

**UNLESS OTHERWISE SET FORTH IN ST'S TERMS AND CONDITIONS OF SALE ST DISCLAIMS ANY EXPRESS OR IMPLIED WARRANTY WITH RESPECT TO THE USE AND/OR SALE OF ST PRODUCTS INCLUDING WITHOUT LIMITATION IMPLIED WARRANTIES OF MERCHANTABILITY, FITNESS FOR A PARTICULAR PURPOSE (AND THEIR EQUIVALENTS UNDER THE LAWS OF ANY JURISDICTION), OR INFRINGEMENT OF ANY PATENT, COPYRIGHT OR OTHER INTELLECTUAL PROPERTY RIGHT.**

**ST PRODUCTS ARE NOT DESIGNED OR AUTHORIZED FOR USE IN: (A) SAFETY CRITICAL APPLICATIONS SUCH AS LIFE SUPPORTING, ACTIVE IMPLANTED DEVICES OR SYSTEMS WITH PRODUCT FUNCTIONAL SAFETY REQUIREMENTS; (B) AERONAUTIC APPLICATIONS; (C) AUTOMOTIVE APPLICATIONS OR ENVIRONMENTS, AND/OR (D) AEROSPACE APPLICATIONS OR ENVIRONMENTS. WHERE ST PRODUCTS ARE NOT DESIGNED FOR SUCH USE, THE PURCHASER SHALL USE PRODUCTS AT PURCHASER'S SOLE RISK, EVEN IF ST HAS BEEN INFORMED IN WRITING OF SUCH USAGE, UNLESS A PRODUCT IS EXPRESSLY DESIGNATED BY ST AS BEING INTENDED FOR "AUTOMOTIVE, AUTOMOTIVE SAFETY OR MEDICAL" INDUSTRY DOMAINS ACCORDING TO ST PRODUCT DESIGN SPECIFICATIONS. PRODUCTS FORMALLY ESCC, QML OR JAN QUALIFIED ARE DEEMED SUITABLE FOR USE IN AEROSPACE BY THE CORRESPONDING GOVERNMENTAL AGENCY.**

Resale of ST products with provisions different from the statements and/or technical features set forth in this document shall immediately void any warranty granted by ST for the ST product or service described herein and shall not create or extend in any manner whatsoever, any liability of ST.

ST and the ST logo are trademarks or registered trademarks of ST in various countries.

Information in this document supersedes and replaces all information previously supplied.

The ST logo is a registered trademark of STMicroelectronics. All other names are the property of their respective owners.

© 2013 STMicroelectronics - All rights reserved

STMicroelectronics group of companies

Australia - Belgium - Brazil - Canada - China - Czech Republic - Finland - France - Germany - Hong Kong - India - Israel - Italy - Japan - Malaysia - Malta - Morocco - Philippines - Singapore - Spain - Sweden - Switzerland - United Kingdom - United States of America

[www.st.com](http://www.st.com)

