

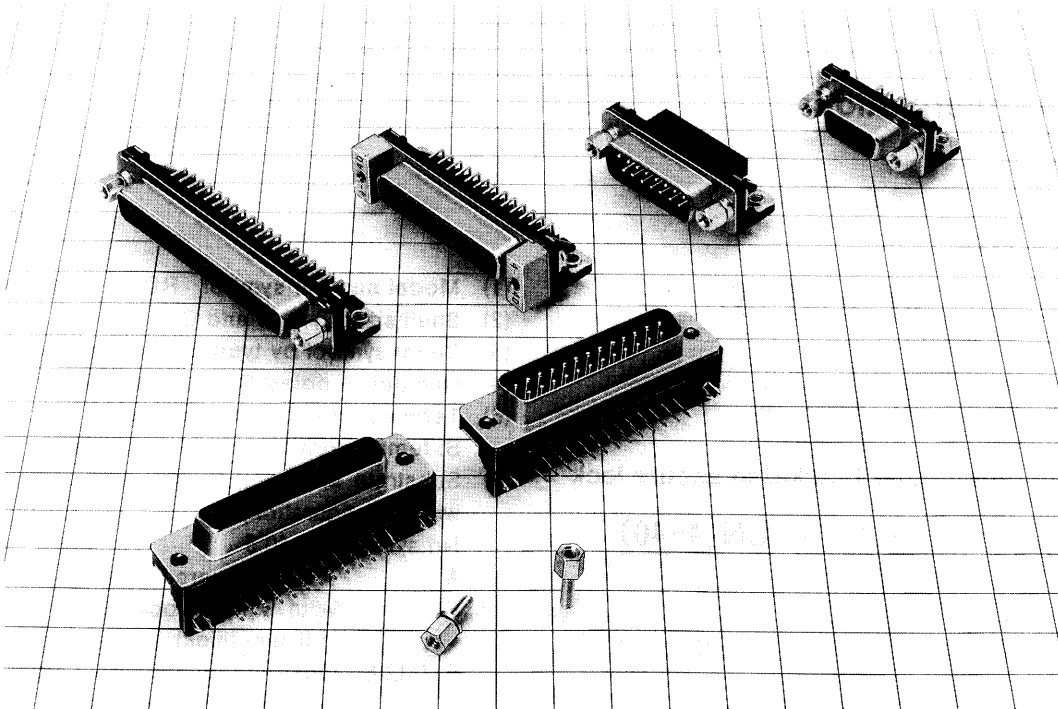
RD***D** SERIES RIGHT-ANGLE TYPE CONNECTORS

General

The RD***D** Series use a molded one-piece design for parallel mounting on a PCB. Designed to be directly connected to the circuits in PCBs, the RD***D** Series is

suitable for labor-saving in connection work and enhancing the reliability of wiring.

9, 15, 25, and 37-contact models available.



Features

- (1) Compact and sturdy due to a metal shell.
- (2) Simple construction of RD type single mold.
- (3) Offers direct parallel mounting on PCBs in high density and easily connectable to a cable plug.
- (4) Saves plating contact with gold and PCB-contacting parts with solder.
- (5) A wide variety of combinations available, such as dip soldering (HD), crimping (CD), and ribbon IDC termination (FD).
- (6) Uses insulation of highly heat-resistant and chemical-resistant UL synthetic resin.
- (7) Meets your application requirements with a variety of accessories.

Applications

Most suitable for modems in communications equipment such as computers, peripherals and terminals,

control equipment, measuring instruments, and export equipment.

Electrical and Environmental

Electrical and Environmental Characteristics	
Current capacity	3A
Rated voltage	AC350V
Insulation resistance	5000MΩ or higher at DC500V
Contact resistance	25m Ω or less at AC100mA
Withstand voltage	1 minute at AC1250Vrms

Material and finish		
Shell	Steel	Treatment with dichromate over zinc plating
		Zinc, Nickel or Tin plating
		Solder plating
Insulator	PBT ※	Black
Contacts	Phosphor bronze	Nickel plating + Gold plating Partly gold-plated over solder plating

※UL94V-0

Ordering Informations

● Lock-free Type

RD B D - 25 S (4-40)
 (1) (2) (3) (4) (5) (9)

● Type with rectangular bracket to secure lock

RD B D - 25 S A-LN(4-40)
 (1) (2) (3) (4) (5) (6) (7)

● Type with hexagon bracket to secure lock

RD B D - 25 S A-LNA(4-40) (05)
 (1) (2) (3) (4) (5) (6) (7) (8)

● Lock retrofitting Type

RD B D - 25 S E1/M2.6 (05)
 (1) (2) (3) (4) (5) (6) (8)

(1) Model number symbol RD: D sublight-angle type

(2) Shell size: E, A, B and C

(3) Serial symbol by type of connector unit: D

(4) Number of poles: 9, 15, 25 and 37

(5) Terminal opening shape symbol

S: female terminal P: male terminal

(6) Substrate Mounting Configuration (grounding hardware configuration)

No symbol: M3×0.5

A: φ 3×3.2 pierced hole

E: With simple lock pin to tack substrate (1.6-mm thick)

E1/M2.6: locker-recipient screw M2.6 with simple lock pin to tack substrate (1.6-mm thick)

(7) Lock Nuts

Rectangular { LN: M2.6×0.45
LN(4-40): No.4-40 UNC

Hexagonal { LNA: M2.6×0.45
LNA(4-40):No.4-40UNC

(8) No symbol: Treated with dichromate after galvanization

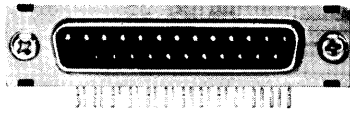
(05): Nickel-plated shell

(9) Type of mounting screws

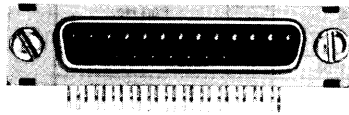
No symbol: M2.6×0.45

(4-40):No.4-40 UNC

Standard/No Insert



Metric thread



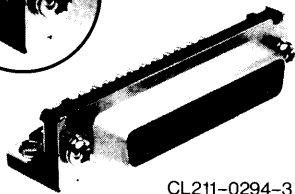
4-40 thread

Dimensions

No. of Pin	A	B	C ₁	C ₂	D	E
9	24.99	30.81	16.4	16.9	24.99	8.34
15	33.32	39.14	24.59	25.24	33.32	8.34
25	47.04	53.04	38.3	39.01	47.04	8.4
37	63.5	69.32	54.76	—	63.5	—

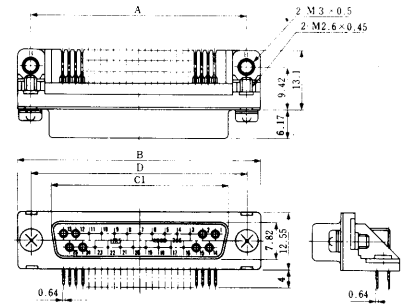


Panel-mounting threaded holes: M2.6 × 0.45 (metric)
Ground terminal (PCB-mounting): M3 × 0.5

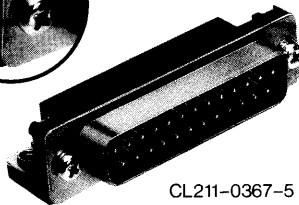


CL211-0294-3
RDBD-25S

HRS No.	No. of Pin	Part No.
CL211-0312-3	9	RDED-9S
CL211-0312-3-05		RDED-9S(05)
CL211-0315-1	15	RDAD-15S
CL211-0315-1-05		RDAD-15S(05)
CL211-0294-3	25	RDBD-25S
CL211-0294-3-05		RDBD-25S(05)
CL211-0318-0	37	RDCD-37S

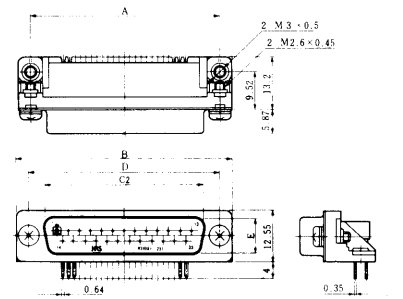


Panel-mounting threaded holes: M2.6 × 0.45 (metric)
Ground terminal (PCB-mounting): M3 × 0.5

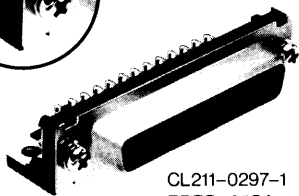


CL211-0367-5
RDBD-25P

HRS No.	No. of Pin	Part No.
CL211-0475-8	9	RDED-9P
CL211-0475-8-05		RDED-9P(05)
CL211-0496-8	15	RDAD-15P
CL211-0496-8-05		RDAD-15P(05)
CL211-0367-5	25	RDBD-25P

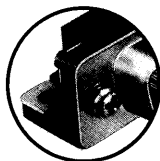
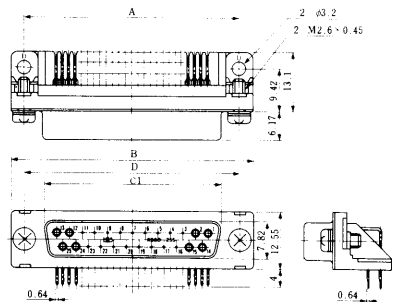


Panel-mounting threaded holes: M2.6 × 0.45 (metric)
Ground terminal (PCB-mounting): Through-holes

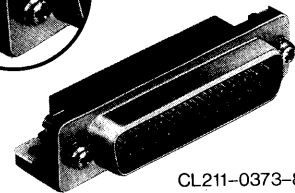


CL211-0297-1
RDBD-25SA

HRS No.	No. of Pin	Part No.
CL211-0412-8	9	RDED-9SA
CL211-0413-0	15	RDAD-15SA
CL211-0413-0-05		RDAD-15SA(05)
CL211-0297-1	25	RDBD-25SA

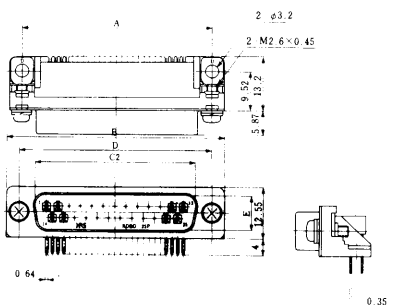


Panel-mounting threaded holes: M2.6 × 0.45 (metric)
Ground terminal (PCB-mounting): Through-holes



CL211-0373-8
RDBD-25PA

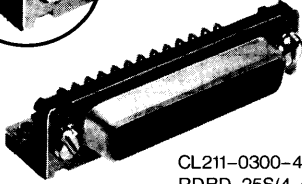
HRS No.	No. of Pin	Part No.
CL211-0502-9	15	RDAD-15PA
CL211-0373-8	25	RDBD-25PA
CL211-0373-8-05		RDBD-25PA(05)



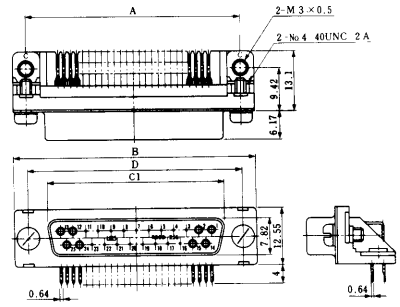


Panel-mounting threaded holes: No. 4 - 40 UNC (inch)
Ground terminal (PCB-mounting): M3 X 0.5

HRS No.	No. of Pin	Part No.
CL211-0398-9	9	RDED-9S(4-40)
CL211-0399-1-05	15	RDAD-15S(4-40)(05)
CL211-0300-4	25	RDBD-25S(4-40)



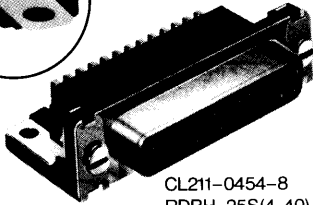
CL211-0300-4
RDBD-25S(4-40)



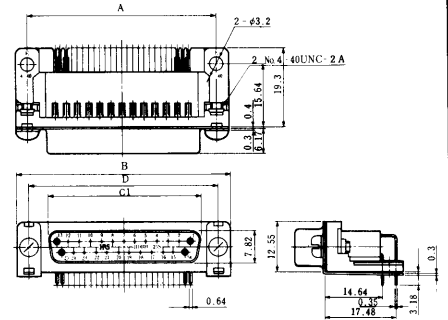
Panel-mounting threaded holes: No. 4 - 40 UNC (inch)
Ground terminal (PCB-mounting): Through-holes

HRS No.	No. of Pin	Part No.
CL211-0454-8	25	RDBH-25S(4-40)

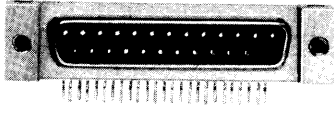
Note: Shell:solder-plated



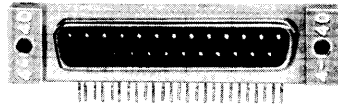
CL211-0454-8
RDBH-25S(4-40)



Locking Device with Rectangular Mating Locking Base (LN Type)



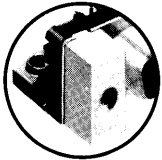
Metric thread



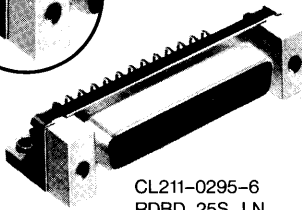
#4-40 thread

Dimensions

No. of Pin	A	B	C ₁	C ₂	D	E
9	24.99	30.81	16.4	16.9	24.99	8.34
15	33.32	39.14	24.59	25.24	33.32	8.34
25	47.04	53.04	38.3	39.01	47.04	8.4
37	63.5	69.32	54.76	—	63.5	—

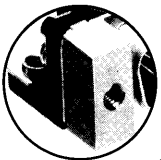
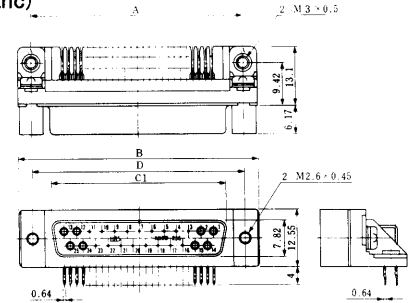


Rectangular mating threaded holes: M2.6 × 0.45 (metric)
Ground terminal (PCB-mounting): M3 × 0.5

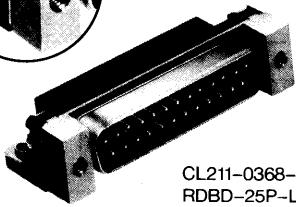


CL211-0295-6
RDBD-25S-LN

HRS No.	No. of Pin	Part No.
CL211-0313-6	9	RDED-9S-LN
CL211-0313-6-05		RDED-9S-LN(05)
CL211-0316-4	15	RDAD-15S-LN
CL211-0316-4-05		RDAD-15S-LN(05)
CL211-0295-6	25	RDBD-25S-LN
CL211-0295-6-05		RDBD-25S-LN(05)
CL211-0319-2		RDCD-37S-LN
CL211-0319-2-05	37	RDCD-37S-LN(05)

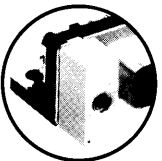
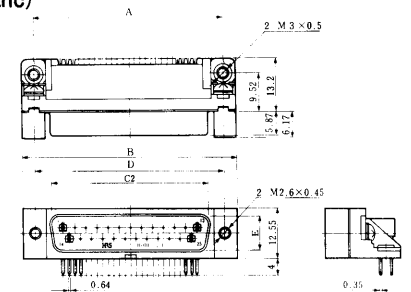


Rectangular mating threaded holes: M2.6 × 0.45 (metric)
Ground terminal (PCB-mounting): M3 × 0.5

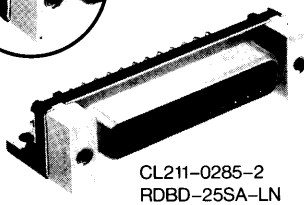


CL211-0368-8
RDBD-25P-LN

HRS No.	No. of Pin	Part No.
CL211-0476-0	9	RDED-9P-LN
CL211-0476-0-05		RDED-9P-LN(05)
CL211-0497-0	15	RDAD-15P-LN
CL211-0368-8	25	RDBD-25P-LN

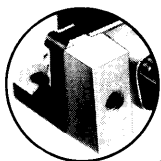
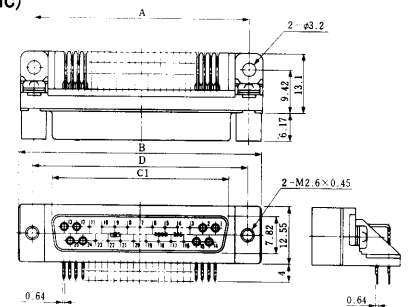


Rectangular mating threaded holes: M2.6 x 0.45 (metric)
Ground terminal (PCB-mounting): Through-holes

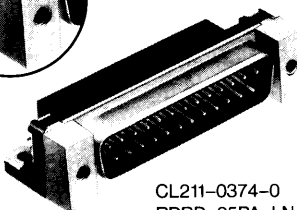


CL211-0285-2
RDBD-25SA-LN

HRS No.	No. of Pin	Part No.
CL211-0415-6	9	RDED-9SA-LN
CL211-0389-8	15	RDAD-15SA-LN
CL211-0285-2	25	RDBD-25SA-LN
CL211-0285-2-05		RDBD-25SA-LN(05)
CL211-0416-9	37	RDCD-37SA-LN
CL211-0416-9-05		RDCD-37SA-LN(05)

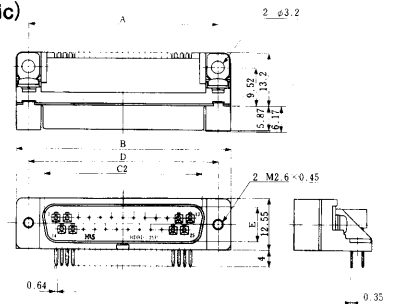


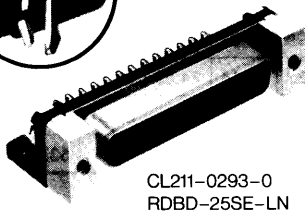
Rectangular mating threaded holes: M2.6 x 0.45 (metric)
Ground terminal (PCB-mounting): Through-holes



CL211-0374-0
RDBD-25PA-LN

HRS No.	No. of Pin	Part No.
CL211-0374-0	25	RDBD-25PA-LN

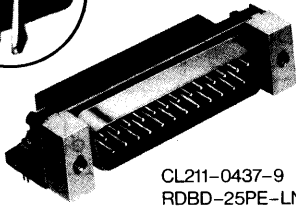
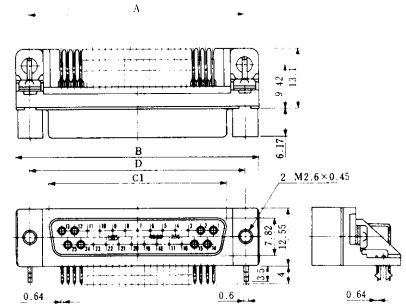




CL211-0293-0
RDBD-25SE-LN

Rectangular-mating threaded holes: M2.6 x 0.45 (metric)
Ground terminal (PCB-mounting) : Fitted with a simple lock pin for temporary locking on PCB

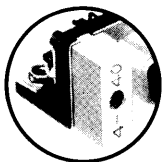
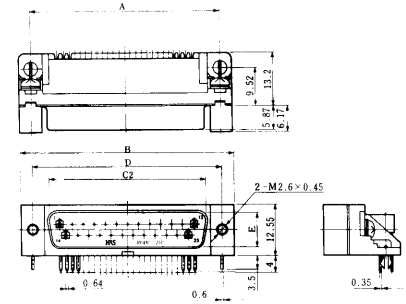
HRS No.	No. of Pin	Part No.
CL211-0420-6	9	RDED-9SE-LN
CL211-0420-6-05		RDED-9SE-LN (05)
CL211-0421-9	15	RDAD-15SE-LN
CL211-0421-9-05		RDAD-15SE-LN (05)
CL211-0293-0	25	RDBD-25SE-LN
CL211-0293-0-05		RDBD-25SE-LN (05)
CL211-0423-4	37	RDCC-37SE-LN
CL211-0423-4-05		RDCC-37SE-LN (05)



CL211-0437-9
RDBD-25PE-LN

Rectangular-mating threaded holes: M2.6 x 0.45 (metric)
Ground terminal (PCB-mounting) : Fitted with a simple lock pin for temporary locking on PCB.

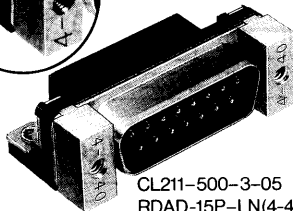
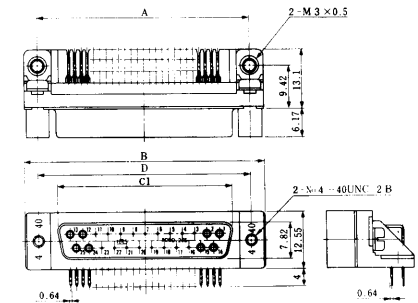
HRS No.	No. of Pin	Part No.
CL211-0491-4	9	RDED-9PE-LN
CL211-0509-8	15	RDAD-15PE-LN
CL211-0437-9	25	RDBD-25PE-LN



CL211-0301-7
RDBD-25S-LN(4-40)

Rectangular mating threaded holes: No.4-40 UNC (inch)
Ground terminal (PCB-mounting) : M3 X 0.5

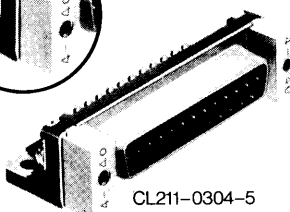
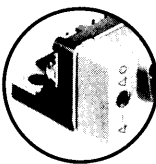
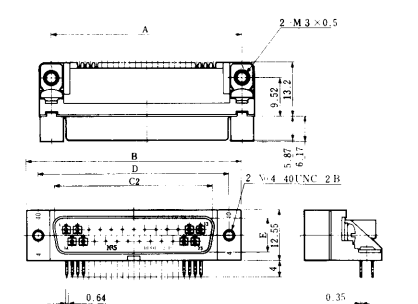
HRS No.	No. of Pin	Part No.
CL211-0401-1-05	9	RDED-9S-LN(4-40) (05)
CL211-0301-7	25	RDBD-25S-LN(4-40)
CL211-0301-7-05		RDBD-25S-LN(4-40) (05)



CL211-500-3-05
RDAD-15P-LN(4-40)(05)

Rectangular mating threaded holes: No.4-40 UNC (inch)
Ground terminal (PCB-mounting) : M3 X 0.5

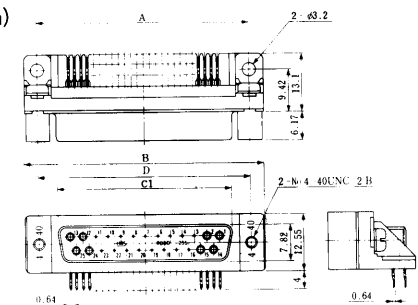
HRS No.	No. of Pin	Part No.
CL211-0479-9-05	9	RDED-9P-LN(4-40) (05)
CL211-0500-3-05	15	RDAD-15P-LN(4-40) (05)



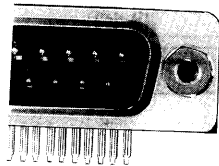
CL211-0304-5
RDBD-25SA-LN(4-40)

Rectangular mating threaded holes: No.4-40 UNC (inch)
Ground terminal (PCB-mounting) : Through-holes

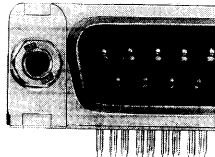
HRS No.	No. of Pin	Part No.
CL211-0407-8-05	15	RDAD-15SA-LN(4-40) (05)
CL211-0304-5	25	RDBD-25SA-LN(4-40)
CL211-0408-0-05	37	RDCC-37SA-LN(4-40) (05)



Locking Device with Hexagonal-mating Locking Base (LNA Type)



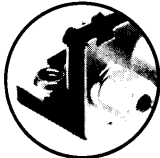
Metric thread



#4-40 thread

DIMENSIONS

No. of Pin	A	B	C ¹	C ²	D	E
9	24.99	30.81	16.4	16.9	24.99	8.34
15	33.32	39.14	24.59	25.24	33.32	8.34
25	47.04	53.04	38.3	39.01	47.04	8.4
37	63.5	69.32	54.76	—	63.5	—

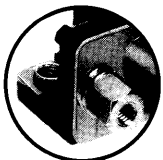
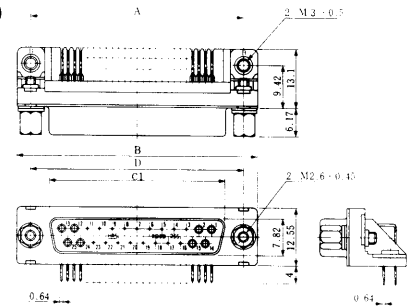


Hexagonal-mating threaded holes: M2.6 × 0.45 (metric)
Ground terminal (PCB-mounting): M3 × 0.5

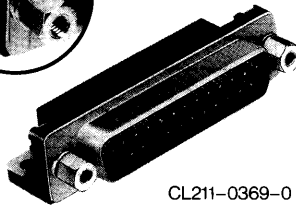


CL211-0296-9
RDBD-25S-LNA

HRS No.	No. of Pin	Part No.
CL211-0314-9	9	RDED-9S-LNA
CL211-0314-9-05		RDED-9S-LNA(05)
CL211-0317-7	15	RDAD-15S-LNA
CL211-0317-7-05		RDAD-15S-LNA(05)
CL211-0296-9	25	RDBD-25S-LNA
CL211-0296-9-05		RDBD-25S-LNA(05)
CL211-0320-1	37	RDCD-37S-LNA
CL211-0320-1-05		RDCD-37S-LNA(05)

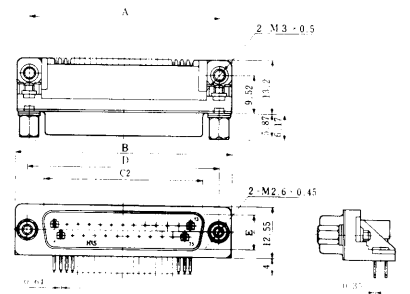


Hexagonal-mating threaded holes: M2.6 × 0.45 (metric)
Ground terminal (PCB-mounting): M3 × 0.5



CL211-0369-0
RDBD-25P-LNA

HRS No.	No. of Pin	Part No.
CL211-0477-3	9	RDED-9P-LNA
CL211-0477-3-05		RDED-9P-LNA(05)
CL211-0498-3	16	RDAD-15P-LNA
CL211-0498-3-05		RDAD-15P-LNA(05)
CL211-0369-0	25	RDBD-25P-LNA
CL211-0369-0-05		RDBD-25P-LNA(05)

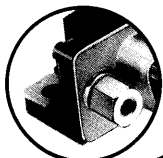
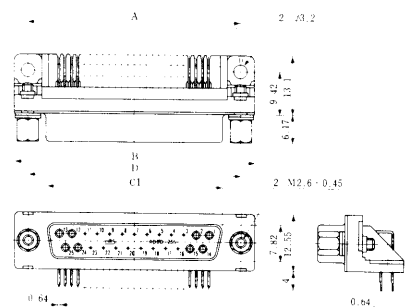


Hexagonal-mating threaded holes: M2.6 × 0.45 (metric)
Ground terminal (PCB-mounting): Through-holes

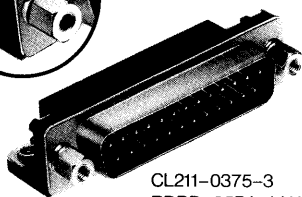


CL211-0299-7
RDBD-25SA-LNA

HRS No.	No. of Pin	Part No.
CL211-0409-3	9	RDED-9SA-LNA
CL211-0410-2	15	RDAD-15SA-LNA
CL211-0410-2-05		RDAD-15SA-LNA(05)
CL211-0299-7	25	RDBD-25SA-LNA
CL211-0299-7-05		RDBD-25SA-LNA(05)
CL211-0411-5	37	RDCD-37SA-LNA
CL211-0411-5-05		RDCD-37SA-LNA(05)

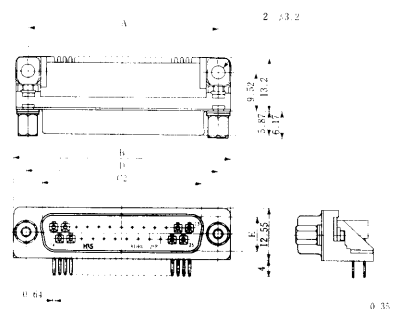


Hexagonal-mating threaded holes: M2.6 × 0.45 (metric)
Ground terminal (PCB-mounting): Through-holes



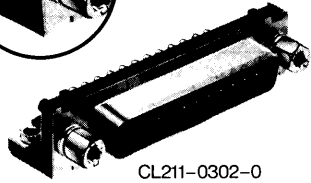
CL211-0375-3
RDBD-25PA-LNA

HRS No.	No. of Pin	Part No.
CL211-0486-4	9	RDED-9PA-LNA
CL211-0504-4	15	RDAD-15PA-LNA
CL211-0375-3	25	RDBD-25PA-LNA



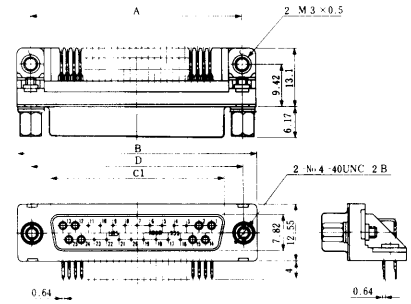


Hexagonal-mating threaded holes: No. 4-40 UNC (inch)
Ground terminal (PCB-mounting): M3 X 0.5

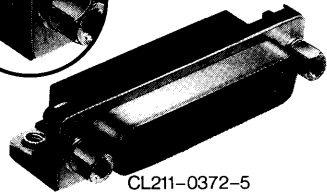


CL211-0302-0
RDBD-25S-LNA(4-40)

HRS No.	No. of Pin	Part No.
CL211-0404-0	9	RDED-9S-LNA(4-40)
CL211-0404-0-05		RDED-9S-LNA(4-40)(05)
CL211-0384-4	15	RDAD-15S-LNA(4-40)
CL211-0384-4-05		RDAD-15S-LNA(4-40)(05)
CL211-0302-0	25	RDBD-25S-LNA(4-40)
CL211-0302-0-05		RDBD-25S-LNA(4-40)(05)
CL211-0405-2	37	RDCC-37S-LNA(4-40)
CL211-0405-2-05		RDCC-37S-LNA(4-40)(05)

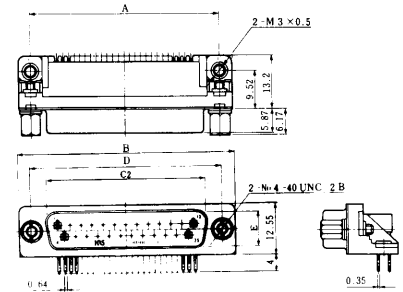


Hexagonal-mating threaded holes: No. 4-40 UNC (inch)
Ground terminal (PCB-mounting): M3 X 0.5



CL211-0372-5
RDBD-25P-LNA(4-40)

HRS No.	No. of Pin	Part No.
CL211-0480-8	9	RDED-9P-LNA(4-40)
CL211-0480-8-05		RDED-9P-LNA(4-40)(05)
CL211-0501-6	15	RDAD-15P-LNA(4-40)
CL211-0372-5		RDBD-25P-LNA(4-40)
CL211-0372-5-05	25	RDBD-25P-LNA(4-40)(05)

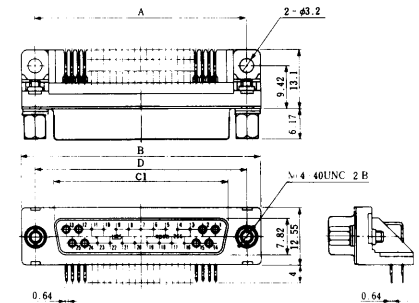


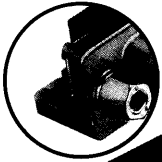
Hexagonal-mating threaded holes: No. 4-40 UNC (inch)
Ground terminal (PCB-mounting): Through-holes



CL211-0305-8
RDBD-25SA-LNA(4-40)

HRS No.	No. of Pin	Part No.
CL211-0417-1-05	9	RDED-9SA-LNA(4-40)(05)
CL211-0305-8	25	RDBD-25SA-LNA(4-40)



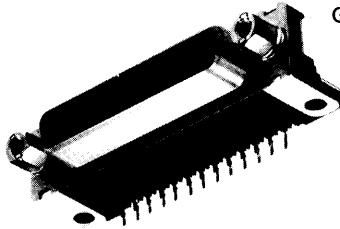
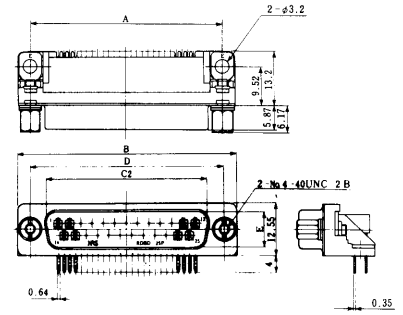


Hexagonal-mating threaded holes: No. 4-40 UNC (inch)
Ground terminal (PCB-mounting): Through-holes



CL211-0377-9
RDBD-25PA-LNA(4-40)

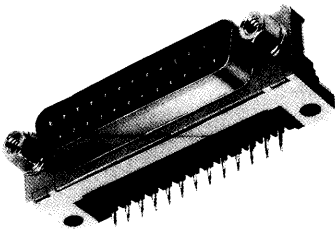
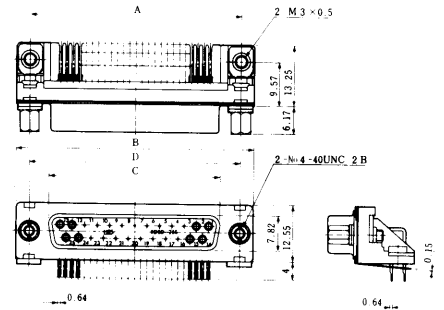
HRS No.	No. of Pin	Part No.
CL211-0489-2	9	RDED-9PA-LNA(4-40)
CL211-0377-9	25	RDBD-25PA-LNA(4-40)



CL211-0459-1
RDBD-25S-LNA(4-40) GP

Hexagonal-mating threaded holes: No. 4-40 UNC (inch)
Ground terminal (PCB-mounting): M3 X 0.5

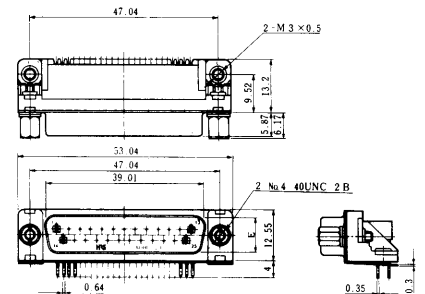
HRS No.	No. of Pin	Part No.
CL211-0458-9	15	RDAD-15S-LNA(4-40) GP
CL211-0458-9-05		RDAD-15S-LNA(4-40) GP(05)
CL211-0459-1-05	25	RDBD-25S-LNA(4-40) GP(05)
CL211-0460-0		RDCCD-25S-LNA(4-40) GP
CL211-0460-0-05		RDCCD-37S-LNA(4-40) GP(05)



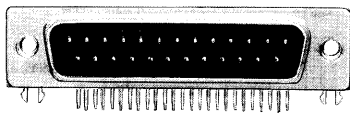
CL211-0539-9
RQBD-25P-LNA(4-40) GP2

Hexagonal-mating threaded holes: No. 4-40 UNC (inch)
Ground terminal (PCB-mounting): M3 X 0.5

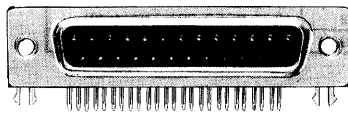
HRS No.	No. of Pin	Part No.
CL211-0539-9	25	RDBD-25P-LNA(4-40) GP2



Field-Mounting Locking Device



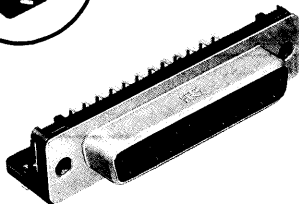
Male contact



Female contact

Dimensions

No. of Pin	A	B	C1	C2	D
9	24.99	30.81	16.4	16.9	24.95
15	33.32	39.14	24.59	25.24	33.32
25	47.04	53.04	38.3	39.01	47.04
37	63.5	69.32	54.76	—	63.55

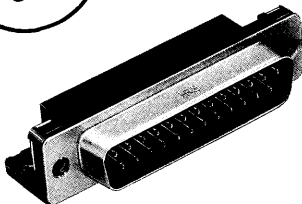
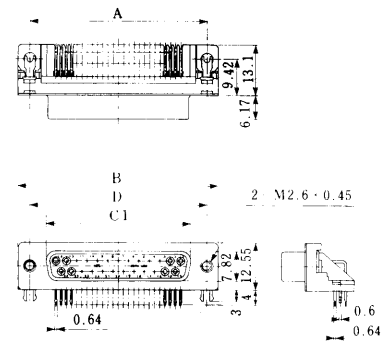


CL211-5197-4-05
RDBD-25SE1/M2.6(05)

Hexagonal mating screw: Not provided (Select from the following according to your application)

Grounding device (PCB mounting part): With simple locking pin to temporarily lock PCB.
Applicable PCB thickness: 1.6 mm

HRS No.	No. of Pin	Part No.
CL211-5195-9	9	RDED-9SE1/M2.6
CL211-5195-9-05		RDED-9SE1/M2.6(05)
CL211-5169-9	15	RDAD-15SE1/M2.6
CL211-5169-9-05		RDAD-15SE1/M2.6(05)
CL211-5197-4	25	RDBD-25SE1/M2.6
CL211-5197-4-05		RDBD-25SE1/M2.6(05)
CL211-5198-7	37	RDCD-37SE1/M2.6
CL211-5198-7-05		RDCD-37SE1/M2.6(05)

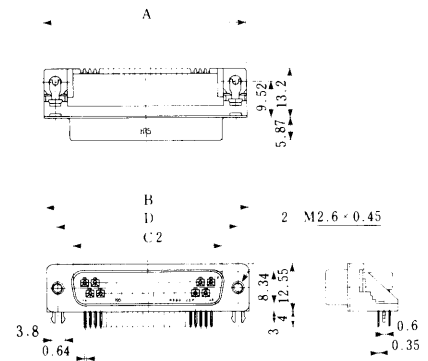


CL211-5170-8-05
RDBD-25PE1/M2.6(05)

Hexagonal mating screw: Not provided (Select from the following according to your application)

Grounding device (PCB mounting part): With simple locking pin to temporarily lock PCB.
Applicable PCB thickness: 1.6 mm

HRS No.	No. of Pin	Part No.
CL211-5168-6	9	RDED-9PE1/M2.6
CL211-5168-6-05		RDED-9PE1/M2.6(05)
CL211-5196-1	15	RDAD-15PE1/M2.6
CL211-5196-1-05		RDAD-15PE1/M2.6(05)
CL211-5170-8	25	RDBD-25PE1/M2.6
CL211-5170-8-05		RDBD-25PE1/M2.6(05)



Special mating locking screw Washer



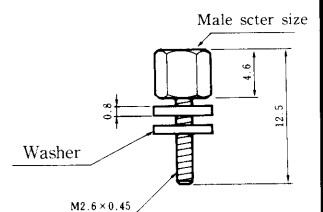
CL211-5182-7-05
RDG-LNA-W2

	HRS No.	Part No.	No. of pin	Agreement Panel Thickness
M2.6x0.45	CL211-5180-1	RDG-LNA	0	1.6~2.0
	CL211-5181-4	RDG-LNA-W1	1	0.8~1.2
	CL211-5182-7	RDG-LNA-W2	2	0~0.4
N0.4-40UNC	CL211-5183-0	RDG-LNA(4-40)	0	1.6~2.0
	CL211-5184-2	RDG-LNA(4-40)-W1	1	0.8~1.2
	CL211-5185-5	RDG-LNA(4-40)-W2	2	0~0.4

Note 1: Finished by nickel plating.

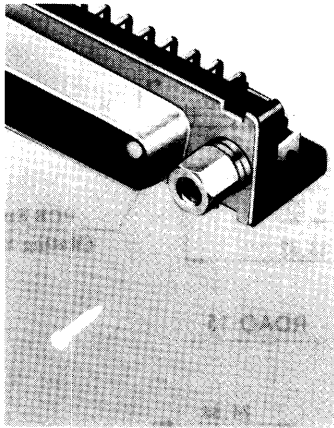
2: Two screws are packed in one case.

3: Since the grounding device attached to the connector is fixed temporarily, do not press the locking screw against the grounding device.



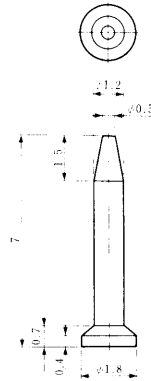
SM Series (D SUB) Accessories

Mis-insertion prevention pin



Note 1: Can be used in the female RD, SD, HD series. For use in the CD series, built-in crimp terminals are required.

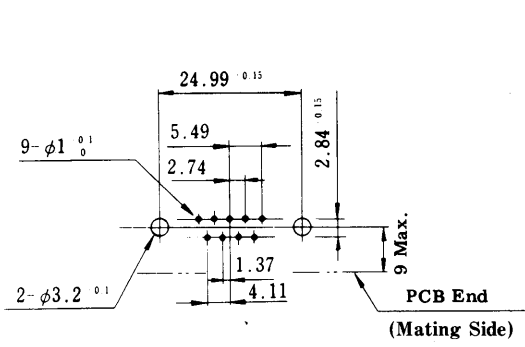
Note 2: As a mating partner, use a male CD (crimp termination) series connector that allows the contact at the part corresponding to the mis-insertion prevention pin to be removed.



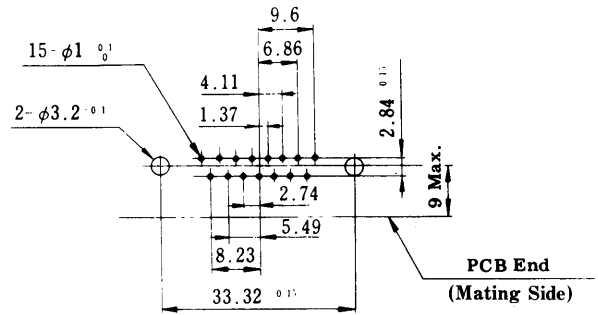
HRS No.	Part No.
CL211-0436-6	RDBD polarizing pin

Note : Can also be used in the SD and HD series.

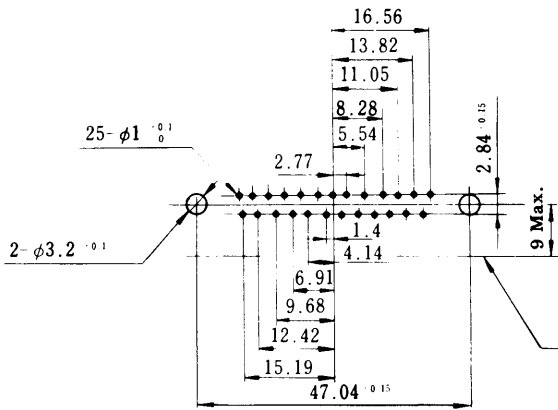
Recommended PC board Hole Pattern (mm)



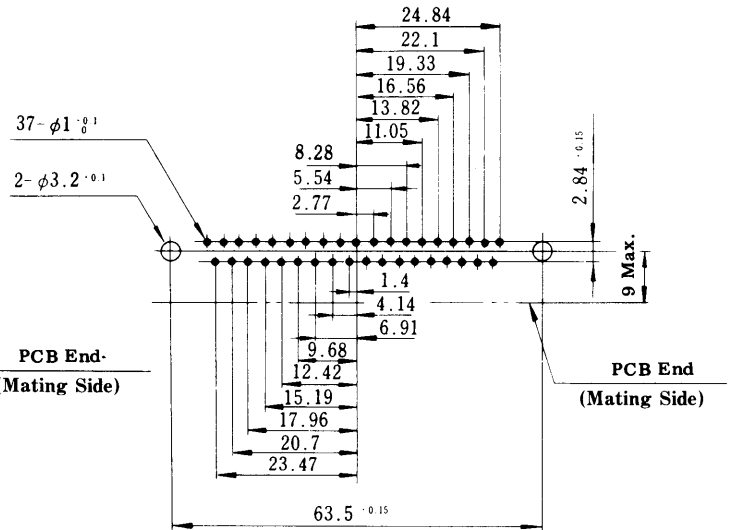
RDED-9



RDAD-15

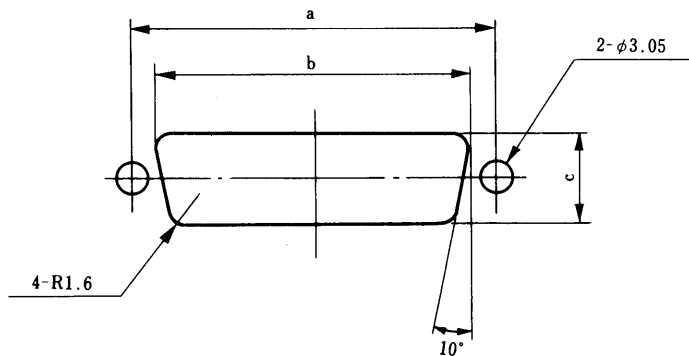


RDBD-25



RDCD-37

● Mounting Cutout



Unit: mm

Shell Size	a	b	c
E	24.99	20.2	11.5
A	33.32	28.6	11.5
B	47.04	42.3	11.5
C	63.5	58.7	11.5