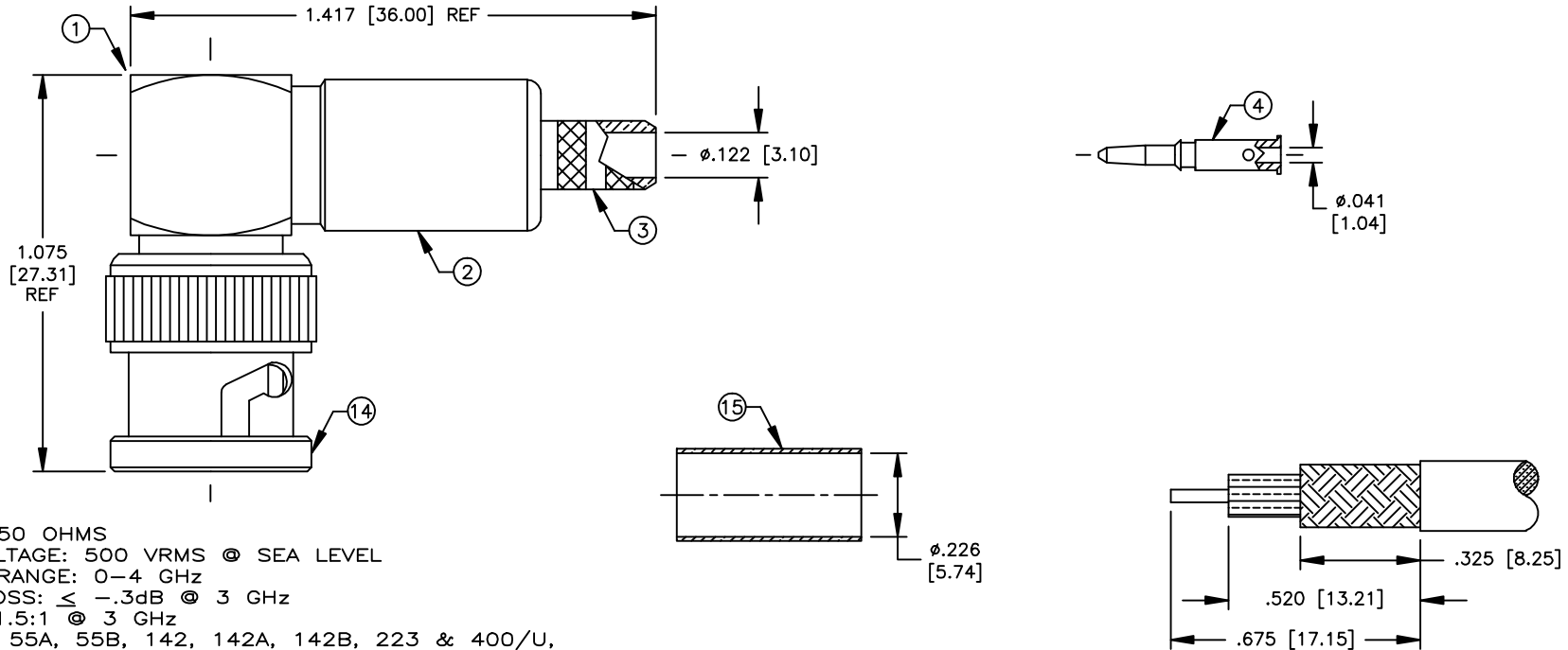


SPECIFICATION CONTROL DRAWING

THIS DRAWING CONTAINS INFORMATION PROPRIETARY TO RF INDUSTRIES, LTD. ANY UNAUTHORIZED USE OF THIS DRAWING IS EXPRESSLY PROHIBITED. ANY VIOLATION IS PUNISHABLE UNDER U.S. COPYRIGHT LAWS.

REV	DESCRIPTION	DWN	DATE	APPROVED
-	ENGINEERING RELEASE	CZS	1/11/00	J. D. McR.

008974



IMPEDANCE: 50 OHMS
 WORKING VOLTAGE: 500 VRMS @ SEA LEVEL
 FREQUENCY RANGE: 0-4 GHz
 INSERTION LOSS: $\leq -3\text{dB}$ @ 3 GHz
 VSWR MAX: 1.5:1 @ 3 GHz
 FOR RG-55, 55A, 55B, 142, 142A, 142B, 223 & 400/U,
 ALPHA 9055, 9055B, 9223, BELDEN 8219, 83242, 84142, 9907
 INTERFACE PER MIL-STD-348, SECTION 301.1

SUGGESTED STRIPPING INSTRUCTIONS

SUGGESTED DIES: .213 & .068

ITEM	DESCRIPTION	QTY	MATERIAL	FINISH
15	FERRULE	1	COPPER	NICKEL
14	SHELL	1	BRASS	NICKEL
13	COVER	1	BRASS	NICKEL
12	WASHER	1	BRASS	NICKEL
11	SPRING	1	SK-5	NICKEL
10	SPLIT LOCK WASHER	1	BRASS	NICKEL
9	GASKET	1	S.I. RUBBER	RED
8	DIELECTRIC	1	PTFE	NONE
7	DIELECTRIC	1	PTFE	NONE
6	PIN	1	BRASS	GOLD
5	CONTACT	1	PHOS BRONZE	GOLD
4	PIN	1	BRASS	GOLD
3	BARREL	1	BRASS	NICKEL
2	PRESS FIT BODY	1	BRASS	NICKEL
1	BODY	1	BRASS	NICKEL

DIMENSIONS ARE IN INCHES AND [MILLIMETERS]

UNLESS OTHERWISE NOTED TOLERANCES ARE:
DECIMALS DIAMETER

DRAWN C. ZUNIGA	1/11/00
CHECKED	
ORJ DRAWN C. ZUNIGA	1/11/00

RF

connectors

7610 MIRAMAR RD
 SAN DIEGO, CA 92126
 (619)549-6340
 (619)549-6345 FAX

DIVISION OF RF INDUSTRIES, LTD.

RFB-1110-C1

BNC MALE RIGHT ANGLE CRIMP

SIZE A	CABLE GROUP C1	DWG NO. RFB-1110C1	REV —
SCALE: 2:1		CAD FILE 13ARC B	SHEET 1 OF 1