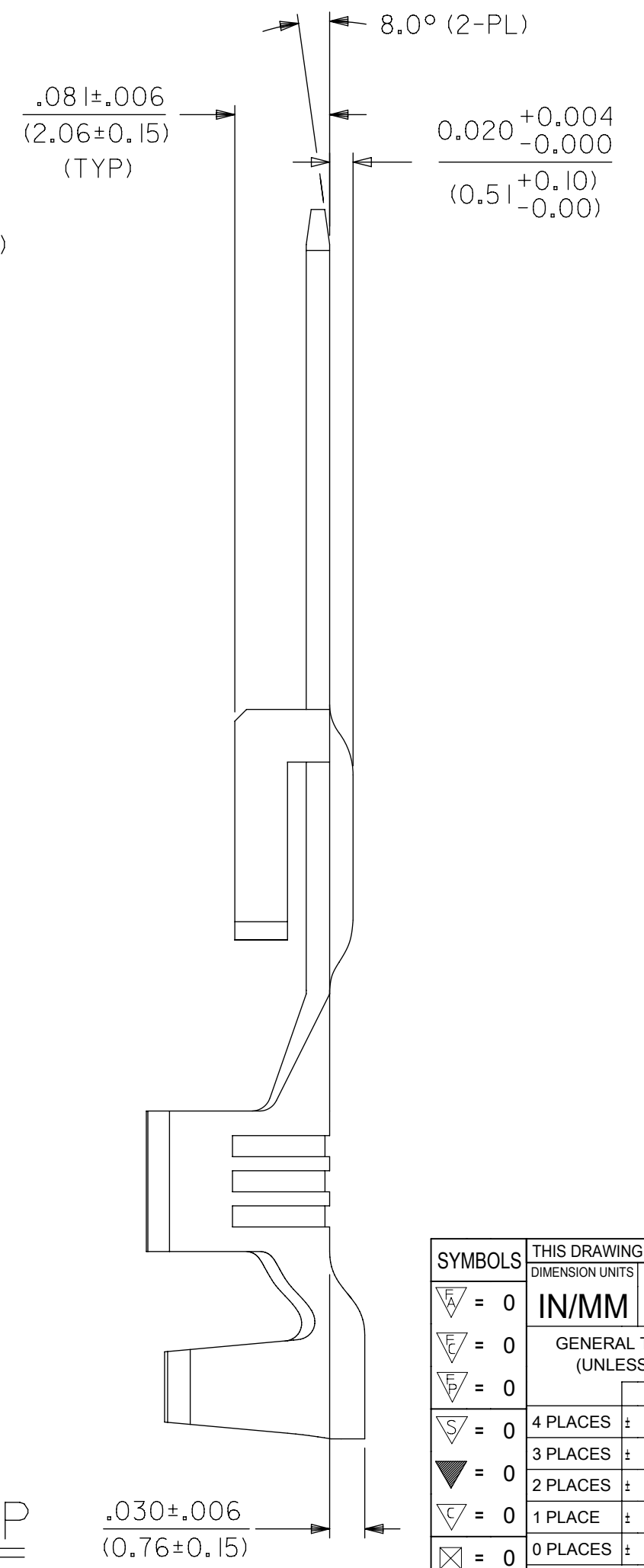
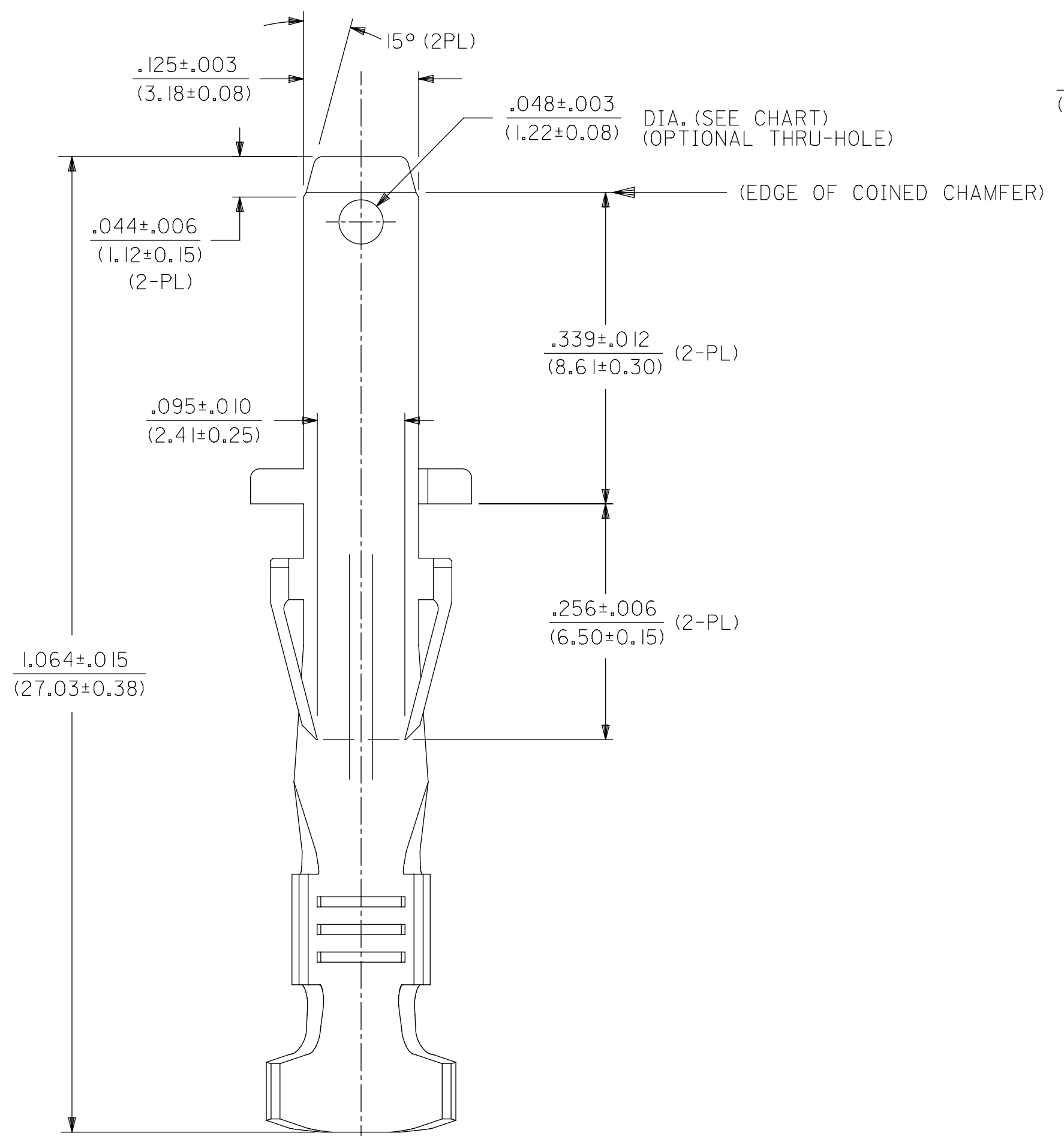
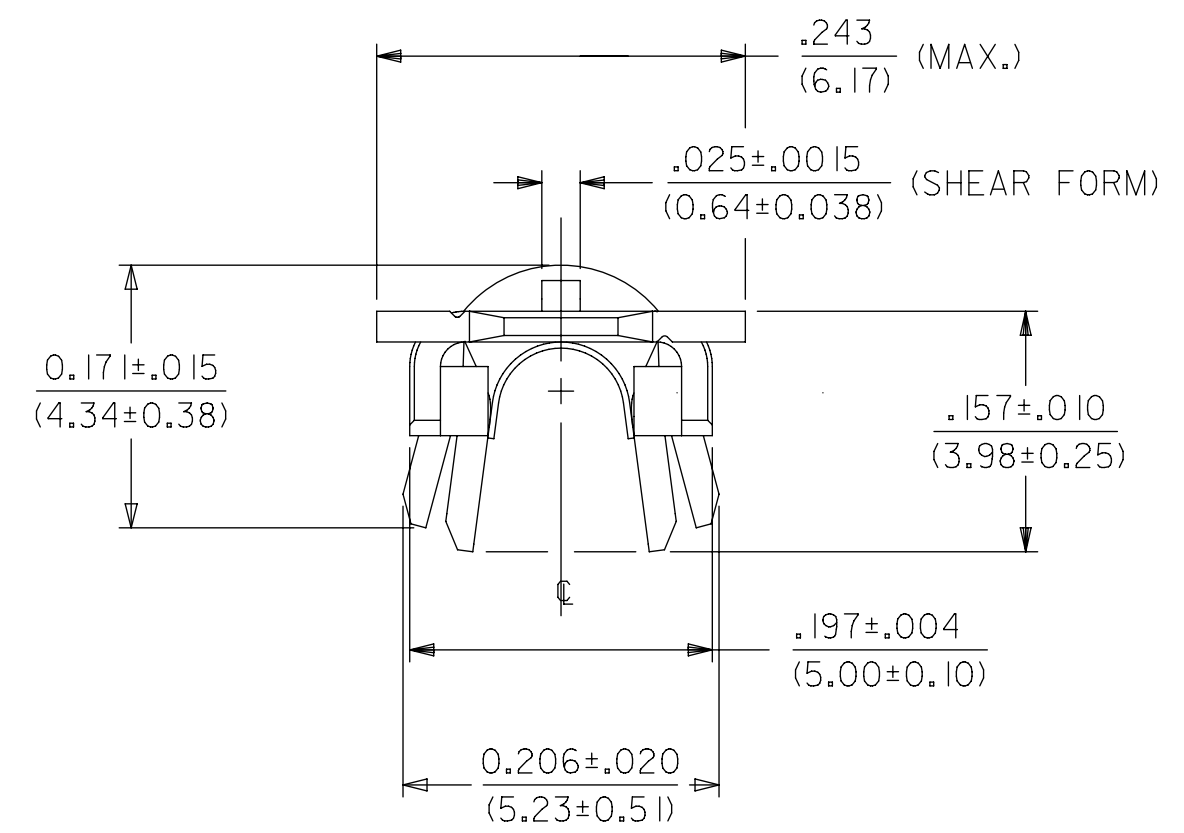


MATERIAL NUMBER	FINISH	HOLE
43178-1001	999	NOT USED
43178-1002	H901	NOT USED



- NOTES:**
- MATERIAL: BRASS
 - FINISH:
999 - UNPLATED
H901 - 20 MICROINCH MIN. HOT TIN DIP
 - PRODUCT SPECIFICATION: PS-44441-9999
 - PACKAGING SPECIFICATION: 431780000-PK
 - TERMINAL FOR USE IN 43680 SERIES HOUSINGS
 - TERMINAL FOR USE WITH A SINGLE 18 AWG UL TYPE 1015 WIRE, HAVING A MAXIMUM INSULATION DIAMETER OF .130/(3.30).
 - PARTS CONFORM TO CLASS "B" REQUIREMENTS OF COSMETIC SPECIFICATIONS PS-45499-002

SMALL INSULATION CRIMP

SYMBOLS ▽ = 0 ▽ = 0 ▽ = 0 S = 0 ▽ = 0 ▽ = 0 ▽ = 0 □ = 0 ■ = 0 ▽ = 0	THIS DRAWING CONTAINS INFORMATION THAT IS PROPRIETARY TO MOLEX ELECTRONIC TECHNOLOGIES, LLC AND SHOULD NOT BE USED WITHOUT WRITTEN PERMISSION		DIMENSION UNITS IN/MM		SCALE 8:1		CURRENT REV DESC: ADD NOTES				
	GENERAL TOLERANCES (UNLESS SPECIFIED)		EC NO: 617584 DRWN: JEHRISMAN 2019/04/02 CHK'D: MKIPPER 2019/06/13 APPR: FSMITH 2019/06/18		INITIAL REVISION: DRWN: KBP 1994/10/24 APPR: RAS 1994/10/24		PRODUCT CUSTOMER DRAWING DOCUMENT NUMBER: SD-43178-1XXX DOC TYPE: PSD DOC PART: 001 REVISION: D2				
4 PLACES ± ± 3 PLACES ± ± 0.01 2 PLACES ± 0.25 ± 0.014 1 PLACE ± 0.35 ±		ANGULAR TOL ± 0.5 °		DRAFT WHERE APPLICABLE MUST REMAIN WITHIN DIMENSIONS		THIRD ANGLE PROJECTION		DRAWING SERIES C-SIZE 43178		MATERIAL NUMBER CUSTOMER SHEET NUMBER SEE TABLE WHIRLPOOL 1 OF 1	