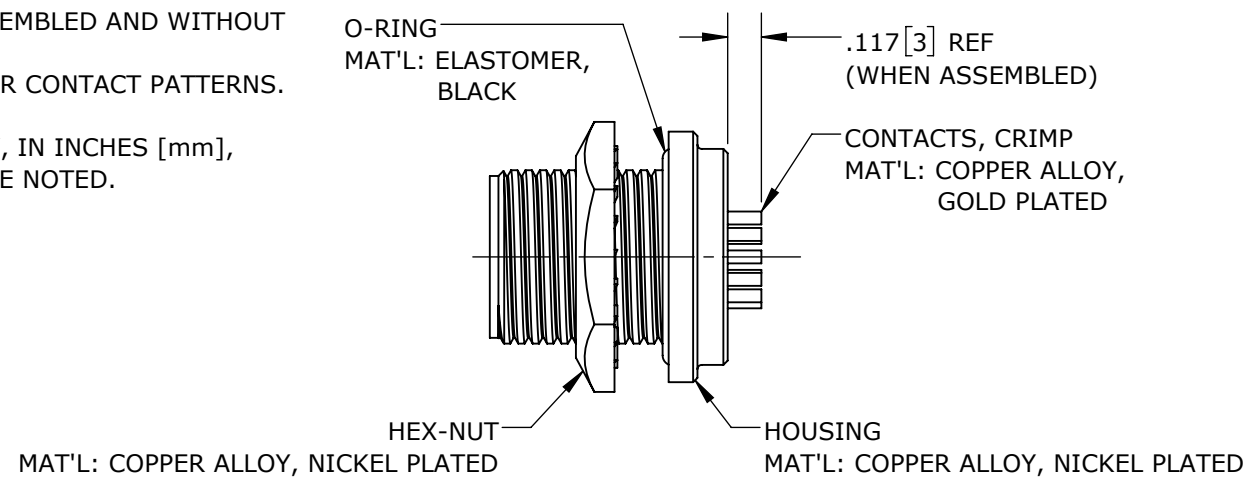


CUSTOMER PRINT

PART NUMBER: SF798X-XPG-3XX

- NOTES:
1. CRIMP CONTACTS SUPPLIED UNASSEMBLED AND WITHOUT EPOXY BACKING.
 2. REFER TO DRAWING HPSFMISTD FOR CONTACT PATTERNS.
 3. HEX-NUT TORQUE: 10-12 IN-LB.
 4. DIMENSIONS ARE REFERENCE ONLY, IN INCHES [mm], WITHIN ±0.015 UNLESS OTHERWISE NOTED.

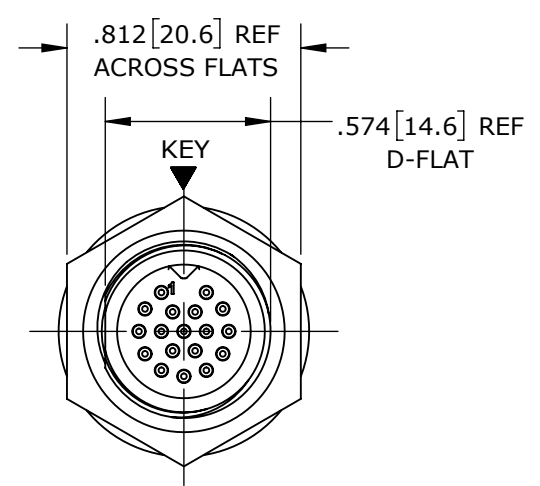


CRIMP CONTACTS
SF7980-18PG-300 SHOWN

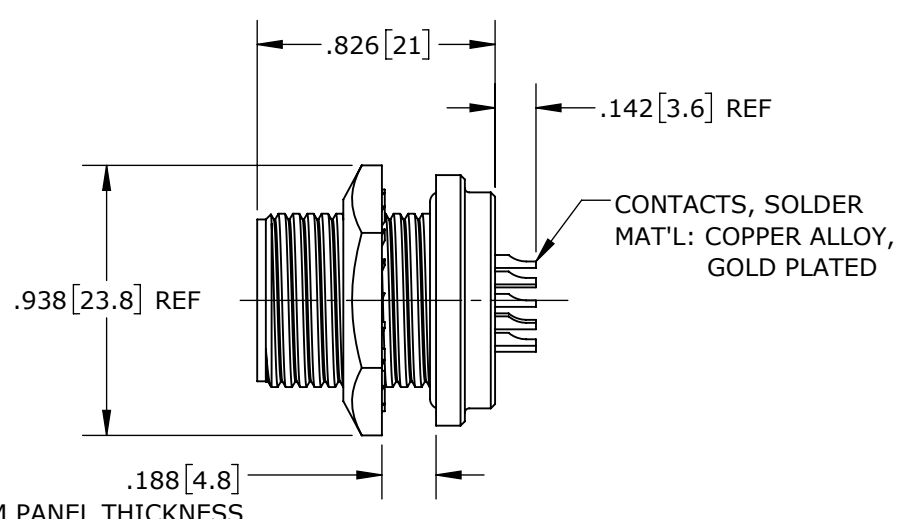
PANEL-MOUNT CONNECTOR PART NUMBERS:

S F 7 9 8 X - X P G - 3 X X

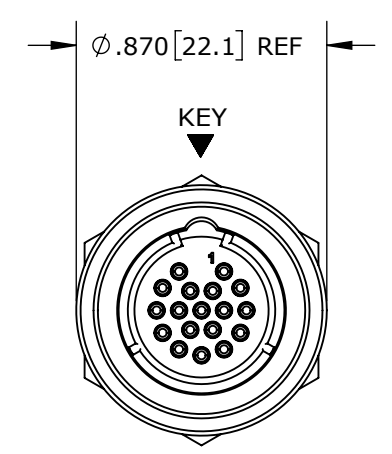
- EPOXY BACKING:
3ES = WITH EPOXY
300 = WITHOUT EPOXY
- # OF CONTACTS: 9 - 18
- CONTACTS STYLE:
0 = CRIMP
2 = SOLDER
4 = PC TAIL



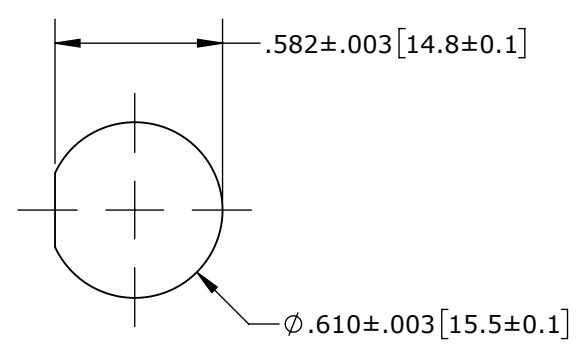
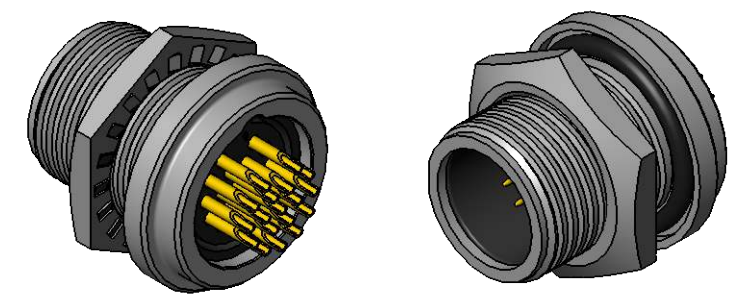
FACE VIEW
SF7982-18PG-300 SHOWN



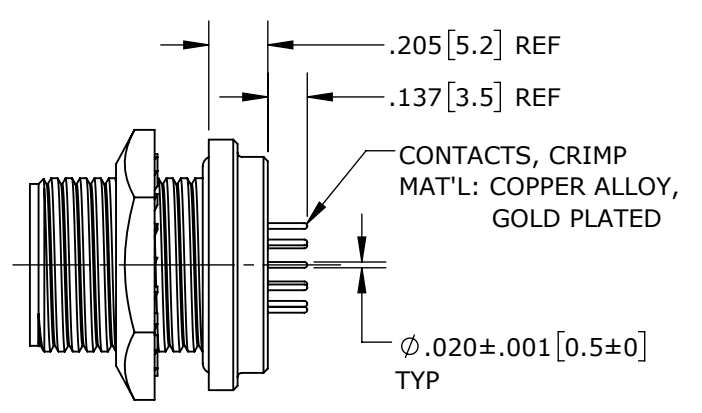
SOLDER CONTACTS
SF7982-18PG-300 SHOWN



WIRING END
SF7982-18PG-300 SHOWN



RECOMMENDED PANEL CUT-OUT



PC TAIL CONTACTS
SF7984-18PG-3ES SHOWN

CUSTOMER APPROVAL

THIS DOCUMENT CONTAINS CONFIDENTIAL INFORMATION PROPRIETARY TO CONXALL CORPORATION. ANY REPRODUCTION, DISCLOSURE, OR USE OF THIS DOCUMENT / INFORMATION IS EXPRESSLY PROHIBITED UNLESS AUTHORIZED IN WRITING BY CONXALL CORPORATION.

APPROVED BY: _____

DATE: _____

RoHS COMPLIANT

0A	PNK	1-30-18	DRAWING CREATED PER PDR17011	
REV.	INIT.	DATE	DESCRIPTION	
			ORIG. DRAWN BY: PNK	DATE: 1-30-18
ALL INFORMATION ILLUSTRATED IS THE PROPERTY OF CONXALL CORPORATION. UNAUTHORIZED DUPLICATION OR DISTRIBUTION OF THIS DOCUMENT IS PROHIBITED.				
ALL UNITS ARE IN FEET, INCHES, FRACTION OF INCHES AND DECIMALS. UNLESS OTHERWISE SPECIFIED TOLERANCES: 3 PLACE DECIMALS ±.005 ANGLES ±1° FRACTIONS ±1/16			TITLE: PANEL-MOUNT CONNECTOR (9-18) #26 PIN CONTACTS SHIELDED MINI-CON-X STANDARD PRODUCT	
SCALE	SIZE	SHEET	CUSTOMER:	
NTS	B	1 OF 1	SF798X-XPG-3XX	
FILE:	DIRECTORY:	PART NUMBER:	REV	
SF798X-XPG-3XX_CD	SLW	SF798X-XPG-3XX	0A	