

4

3

2

1

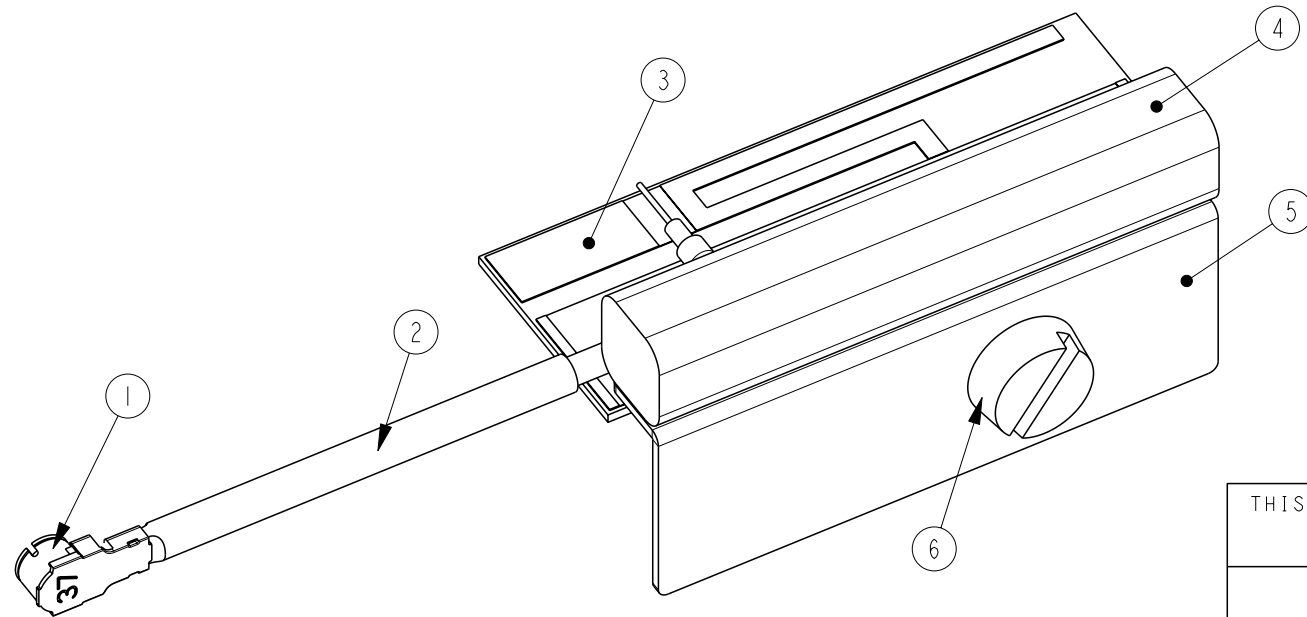
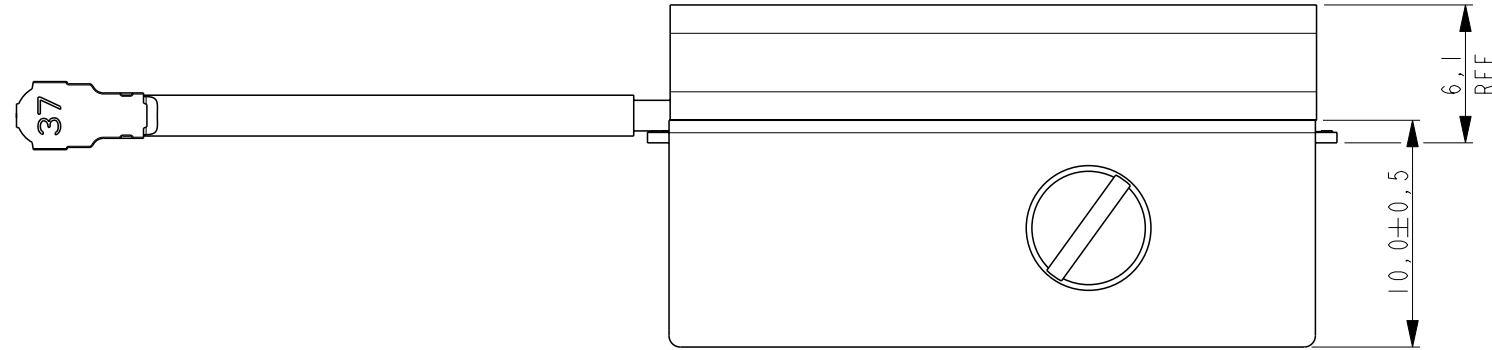
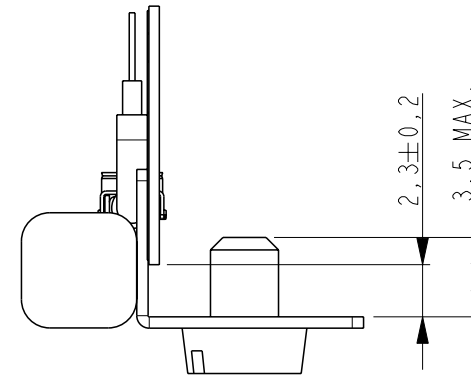
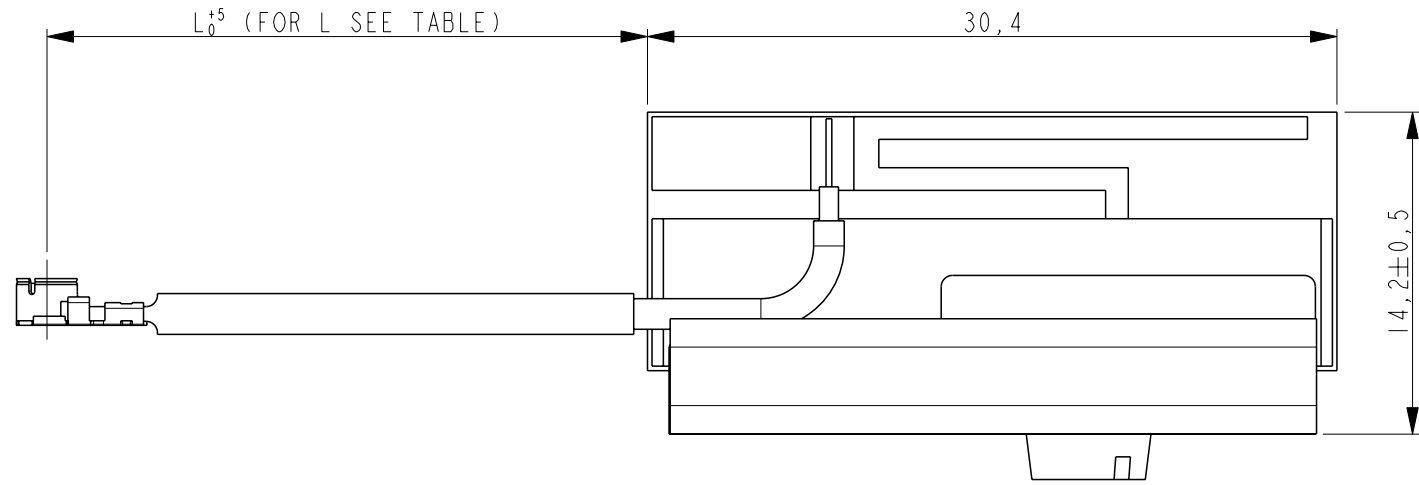
THIS DRAWING IS UNPUBLISHED.

RELEASED FOR PUBLICATION

© COPYRIGHT 19 BY -

ALL RIGHTS RESERVED.

LOC	DIST	REVISIONS					
H	-	P	LTR	DESCRIPTION	DATE	DWN	APVD
			A	ECR-11-009371	05MAY2011	EZ	RL



DESCRIPTION	REMARK	ITEM	QTY
SCREW M3	NOT DELIVERED BY TE-CONNECTIVITY	6	-
BRACKET	BRASS OR NEW-SILVER	5	1
EMC GASKET	HIGHT: 5,1 mm	4	1
PRINTED CIRCUIT BOARD	MATERIAL: FR4	3	1
COAX CABLE; O.D. 1.37 mm	COLOUR: GREY ; LENGTH = 350 mm	2	-
COAX CABLE; O.D. 1.37mm	COLOUR: WHITE; LENGTH = 210 mm	2	-
COAX CABLE; O.D. 1.37 mm	COLOUR: BLACK; LENGTH = 500 mm	2	-
ULTRA MINIATURE COAX CONNECTOR	FOR 1,37 mm O.D. JACKET	1	1

1551524-1	1551524-2	1551524-3
-----------	-----------	-----------

THIS DRAWING IS A CONTROLLED DOCUMENT.		DWN 22 JAN 2010 D. CAMPSCHROER			
		CHK 22 JAN 2010 R. LOKKER			
		APVD 22 JAN 2010 Y. BRAEM			
		PRODUCT SPEC			
DIMENSIONS: mm		TOLERANCES UNLESS OTHERWISE SPECIFIED:		NAME WiFi ANTENNA	
		0 PLC ±.5 1 PLC ±.2 2 PLC ±.1 3 PLC ±. 4 PLC ±. ANGLES ±2		APPLICATION SPEC	
MATERIAL -		FINISH -		WEIGHT -	
		CUSTOMER DRAWING		SCALE 3:1	
		SIZE A3		CAGE CODE 00779	
		DRAWING NO C-1551524		RESTRICTED TO -	
		SHEET 1 OF 1		REV A	