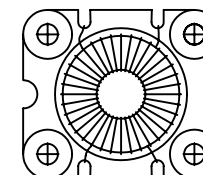
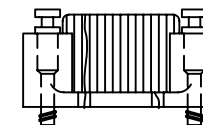
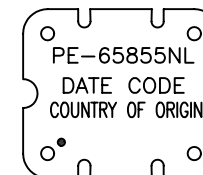


NOTES:

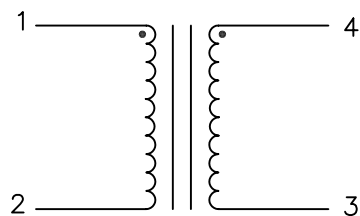
1. ROHS COMPLIANT
2. HEADER: THERMOPLASTIC WITH FLAMMABILITY RATING UL 94V-0 OR BETTER.
3. STORAGE TEMPERATURE: -20°C TO +125°C
4. COMPLIANCE TO J-STD:
 - A. J-STD-002: SOLDERABILITY AT 245°C REFLOW PROFILE
 - B. J-STD-020: LEVEL 1, NO MOISTURE SENSITIVE
 - C. J-STD-075: R7, 245°C MAXIMUM THROUGH REFLOW SOLDER
5. TO ORDER TAPE & REEL PACKAGING ADD A "T" SUFFIX TO THE PART NUMBER(i.e PE-65855NL BECOMES PE-65855NLT).



FINAL OUTLINE

© Copyright, 2014. Pulse Electronics Corp. All rights reserved. Pulse confidential & proprietary. (06/09/14)

PRODUCT DESCRIPTION	TLA DRAWING	PS DRAWING	SHEET	PART NO.	DATASHEET REV.
CHOKE,SGL,CM,2-W,SMT,4.7MH,NL	PE-65855NL-12	-	1 OF 3	PE-65855NL	A



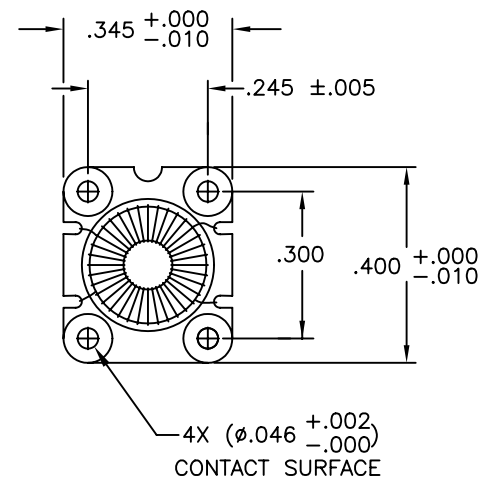
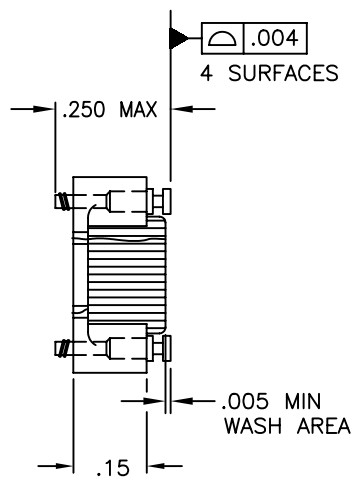
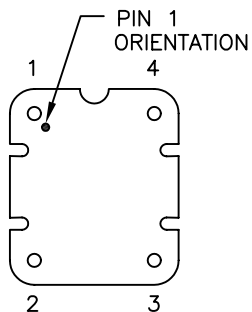
SCHEMATIC

ELECTRICAL CHARACTERISTICS AT +25°C UNLESS OTHER SPECIFIED

PARAMETER	SPECIFICATIONS
OPERATING TEMPERATURE	0°C - 70°C
POLARITY	PER SCHEMATIC
URNS RATIO	$\frac{(1-2)}{(4-3)} = 1.00 \pm 2\%$
INDUCTANCE @ 100 KHZ, 0.02 VRMS	(1-2) = 4.7 mH $\pm 30\%$ (4-3) = 4.7 mH $\pm 30\%$
LEAKAGE INDUCTANCE @ 100 KHZ, 0.02 VRMS	(1-2) WITH (4-3) SHORT = .7 uH MAXIMUM
DCR	(1-2) = (4-3) = 1.0 OHM MAXIMUM
HIPOT	500 VRMS FOR 60 SECONDS

© Copyright, 2014. Pulse Electronics Corp. All rights reserved. Pulse confidential & proprietary. (06/09/14)

PRODUCT DESCRIPTION	TLA DRAWING	PS DRAWING	SHEET	PART NO.	DATASHEET REV.
CHOKE,SGL,CM,2-W,SMT,4.7MH,NL	PE-65855NL-12	-	2 OF 3	PE-65855NL	A



DIMENSIONS ARE IN INCHES WITH THE FOLLOWING
TOLERANCES:
.XX= ±.02
.XXX= ±.010

© Copyright, 2014. Pulse Electronics Corp. All rights reserved. Pulse confidential & proprietary. (06/09/14)

PRODUCT DESCRIPTION	TLA DRAWING	PS DRAWING	SHEET	PART NO.	DATASHEET REV.
CHOKE,SGL,CM,2-W,SMT,4.7MH,NL	PE-65855NL-12	-	3 OF 3	PE-65855NL	A