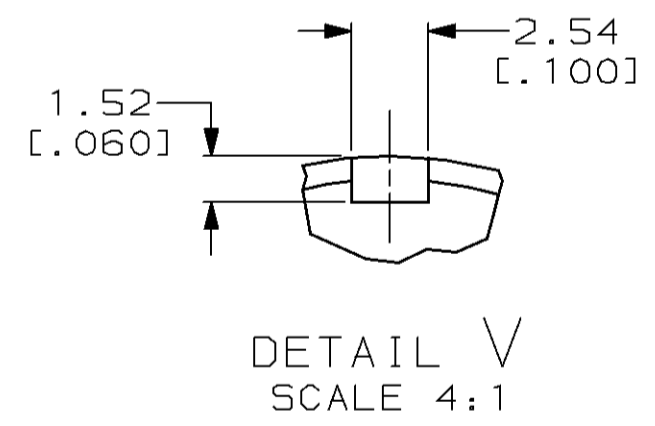
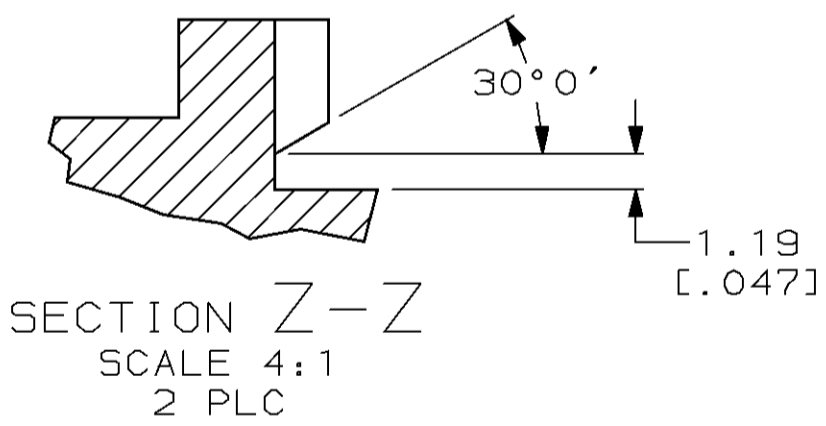
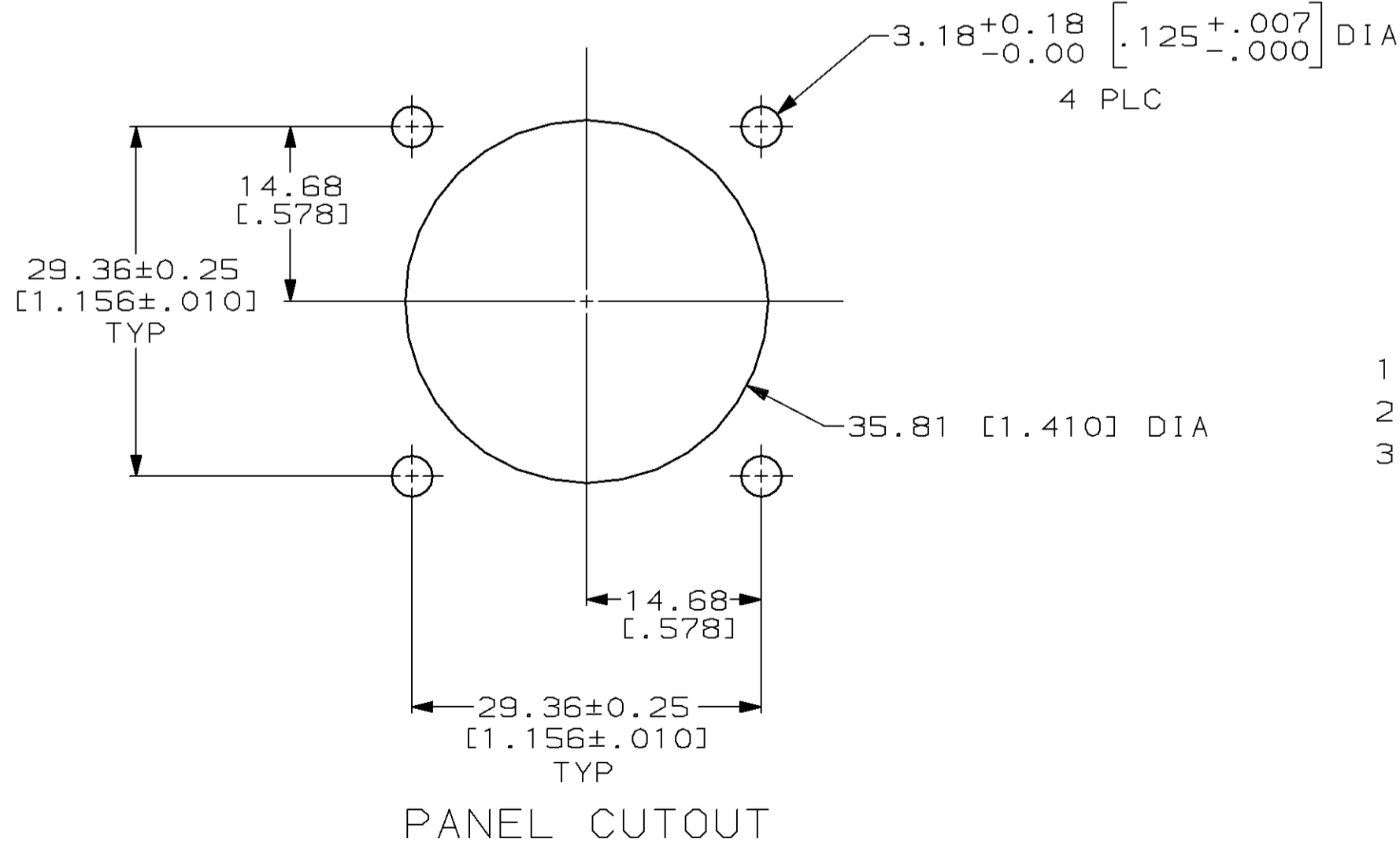
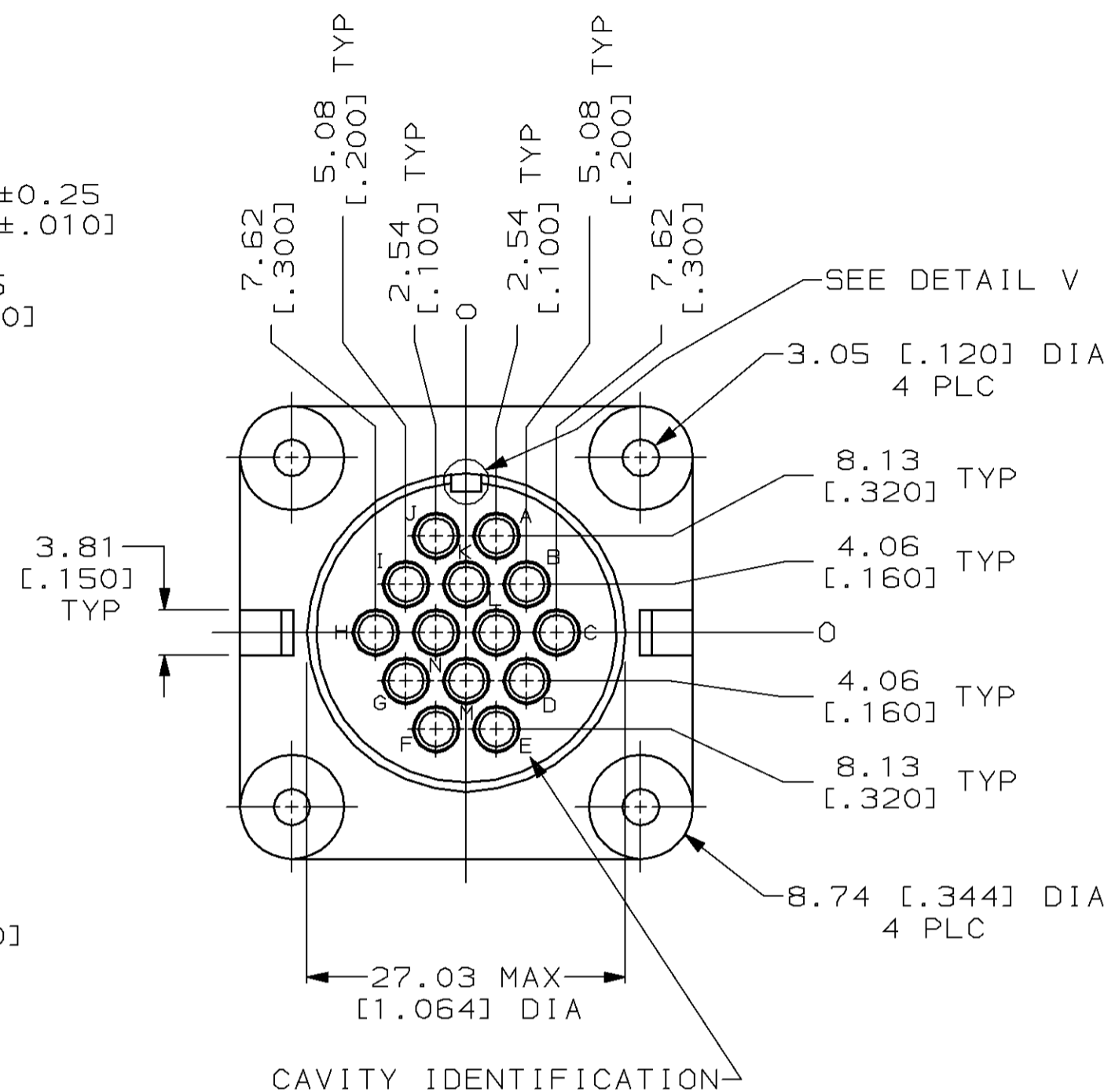
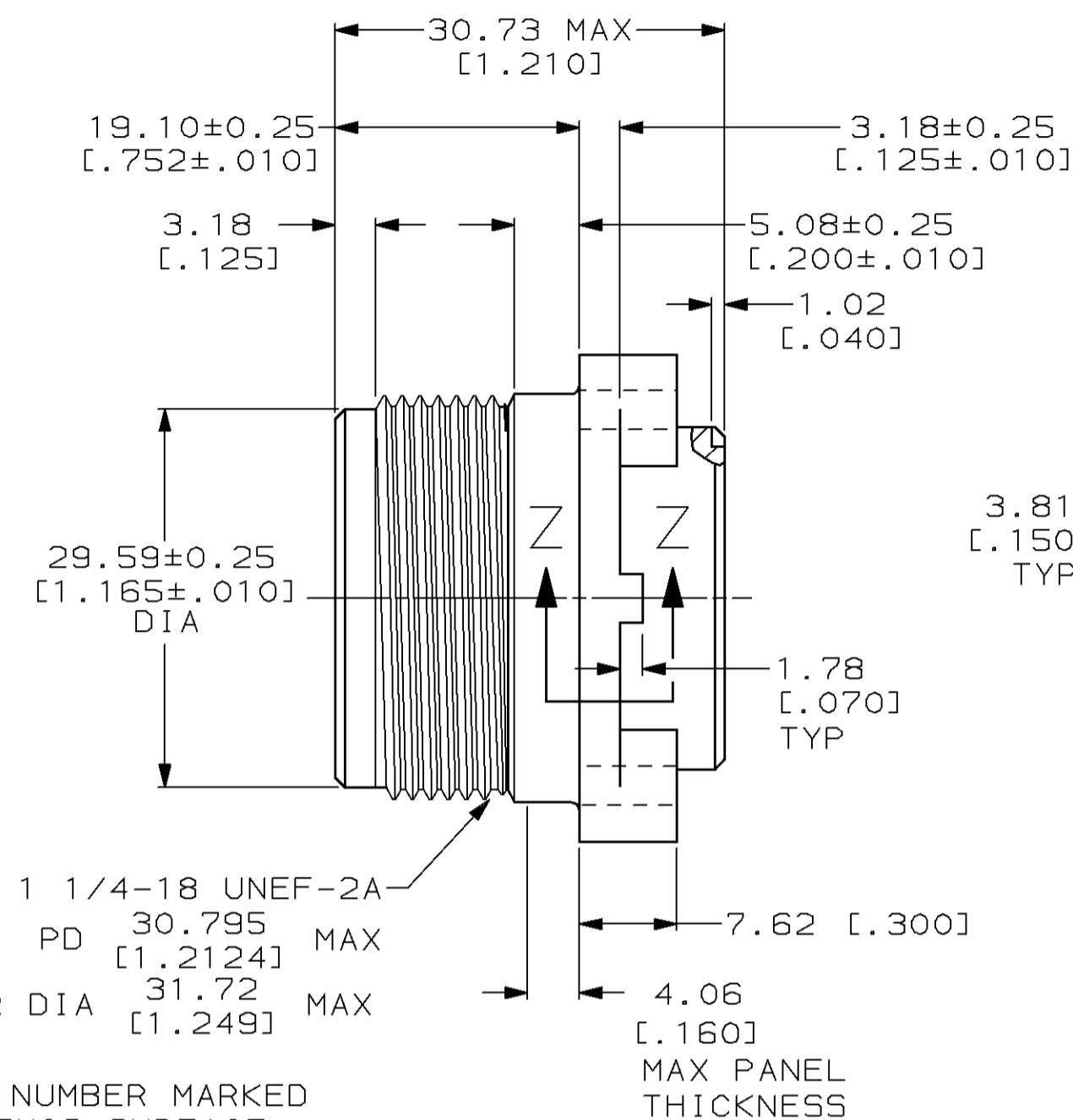
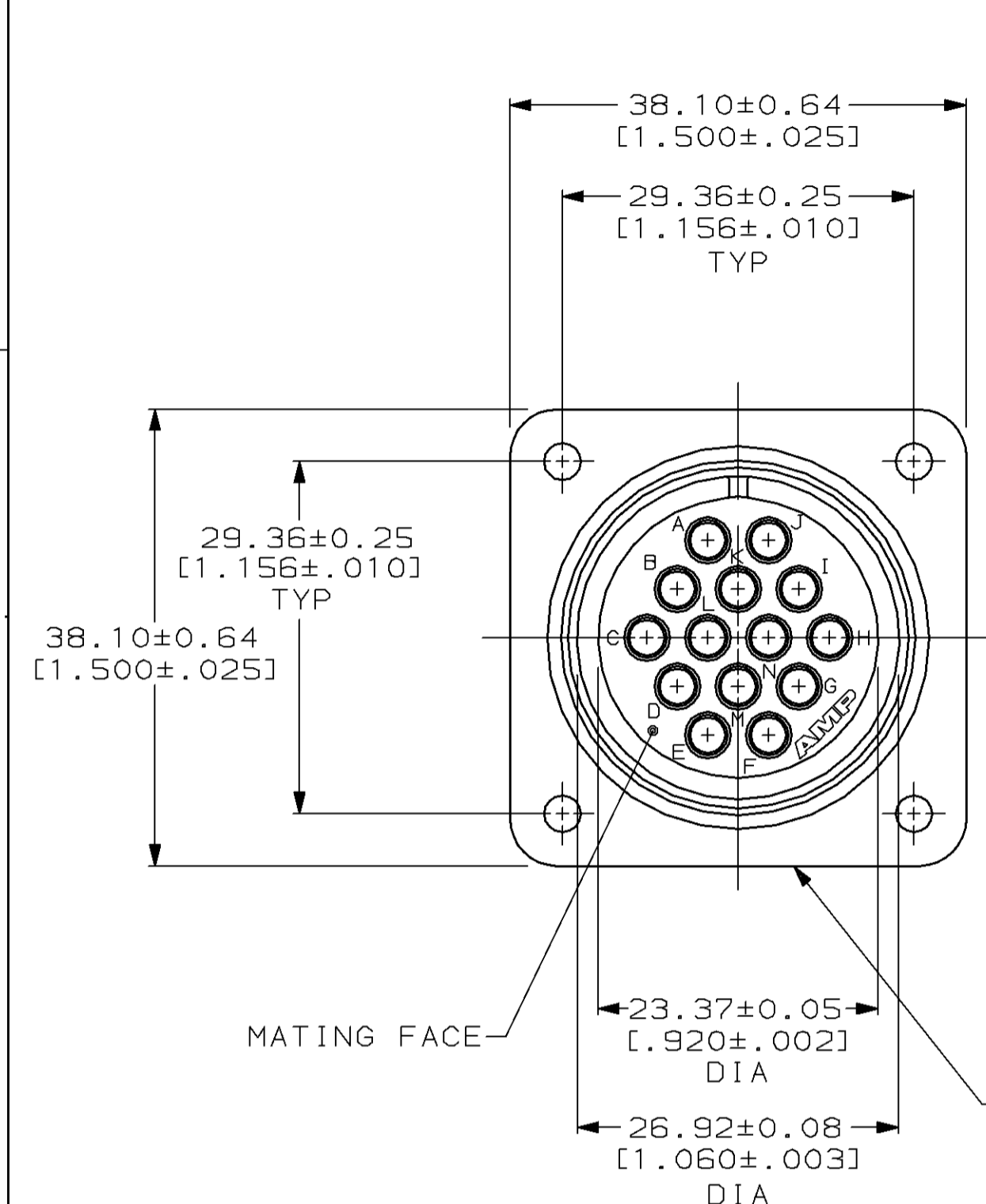


THIS DRAWING IS UNPUBLISHED. RELEASED FOR PUBLICATION, 19 .
 © COPYRIGHT 19 BY AMP INCORPORATED. ALL INTERNATIONAL RIGHTS RESERVED.

MOD	Loc	DIST	P	F	REVISIONS			DATE	APPD
					ZONE	LTR	DESCRIPTION		
4	BD	35			D	REV PER EC	0020-299-93	04/07/93	RW
					E	REV PER EC	0020-155-94	03/09/94	AF
					F	REV PER EC	0020-0740-94	07/13/94	AF



1. RECEPTACLE MATES WITH PLUG, AMP PART NO 213572-1.
2. RECEPTACLE WILL ACCEPT TYPE III+ SOCKET CONTACTS.
3. RECEPTACLE MATES WITH PRODUCT DESIGNED TO MIL SPEC 5015.

DO NOT SCALE PRINT. UNLESS SPECIFIED DIMENSIONS IN mm [INCHES] TOLERANCES ON : 2 PLC DEC ± 0.13 [.005] 3 PLC DEC ± - ANGLES ± -		DR 08/29/89 W.G.LENKER CHK 11-17-89 R.STONE APPD 11-17-89 M.KAPEZYNSKI APPD 12-11-89 G.J.SACUNAS		213570-1 PART NO	
MATERIAL POLYAMID, BLACK	FINISH -	APPLICATION SPEC -	PRODUCT SPEC -	AMP INCORPORATED Harrisburg, Pa. 17105	
RECEPTACLE, 20-14 ARR, REVERSE SEX, CPC				NAME	
SIZE C		CAGE CODE 00779	DRAWING NO 213570		
WEIGHT -		SCALE 2:1	SHEET 1 OF 1		