



# 120x120x25mm

- Airflow: 56.5~181.0 CFM
- Static Pressure: 3.1~24.3mm-H<sub>2</sub>O
- Blade / Housing: Plastic Material UL 94V-0 P.B.T.
- Lead Wire: UL1007 #24 AWG
- Weight: 205 g

Model No.	Bearing	Rated Voltage VDC	Operating Voltage Range VDC	Speed RPM	Max. Airflow CFM	Max. Static Pressure mm-H <sub>2</sub> O	Current mA	Power Consumption W	Life at 40°C L10 Hour	P-Q Curve	Noise Level dB(A)
QYW12025012BL	2B	12	7~13.2	2000	56.5	3.1	130	1.56	80000	4	29.3
QYW12025012BM	2B		7~13.2	2800	81.8	6.0	220	2.64	80000	3	39.1
QYW12025012BH	2B		7~13.2	4400	127.9	14.1	550	6.60	75000	2	51.4
QYW12025012BS	2B		7~13.2	6000	181.0	24.3	1300	15.60	65000	1	60.5
QYW12025024BL	2B	24	12~26.4	2000	56.5	3.1	85	2.04	80000	4	29.3
QYW12025024BM	2B		12~26.4	2800	81.8	6.0	130	3.12	80000	3	39.1
QYW12025024BH	2B		12~26.4	4400	127.9	14.1	320	7.68	75000	2	51.4
QYW12025024BS	2B		12~26.4	6000	181.0	24.3	700	16.80	65000	1	60.5
QYW12025048BL	2B	48	24~56.0	2000	56.5	3.1	60	2.88	80000	4	29.3
QYW12025048BM	2B		24~56.0	2800	81.8	6.0	85	4.08	80000	3	39.1
QYW12025048BH	2B		24~56.0	4400	127.9	14.1	180	8.64	75000	2	51.4
QYW12025048BS	2B		24~56.0	6000	181.0	24.3	400	19.20	65000	1	60.5

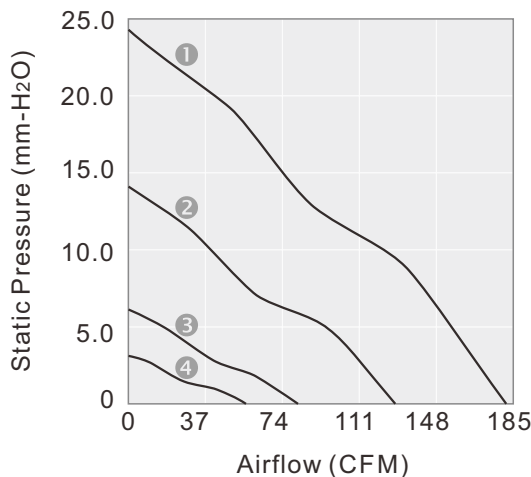
2B: 2-ball bearing L: sintetico bearing S: sleeve bearing

Voltage Available  
05 12 24 48

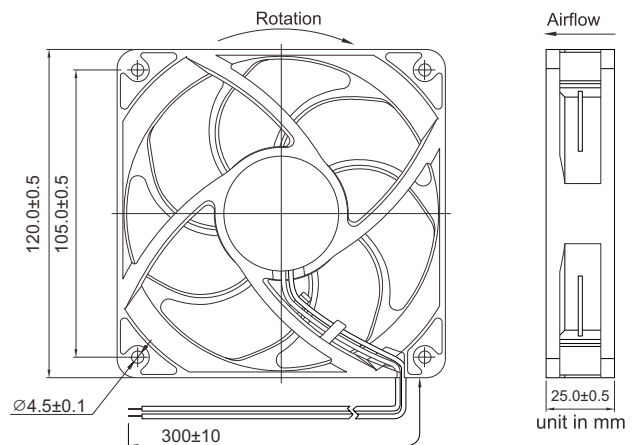
Bearing System Available  
2B L S

Function Available  
N A I F R Q S T M V C P D W U

## PERFORMANCE P-Q CURVE



## OUTLINE DIMENSIONS



Please refer to *Model Numbering System* for bearing, function and speed level indication. Specifications are subject to changes without notice. Please refer to the formally issued product specification via contacting Y.S. TECH sales department. Visit Y.S. TECH web site at <http://www.ystech.com.tw> for updated information. Customized Specifications are designed accordingly