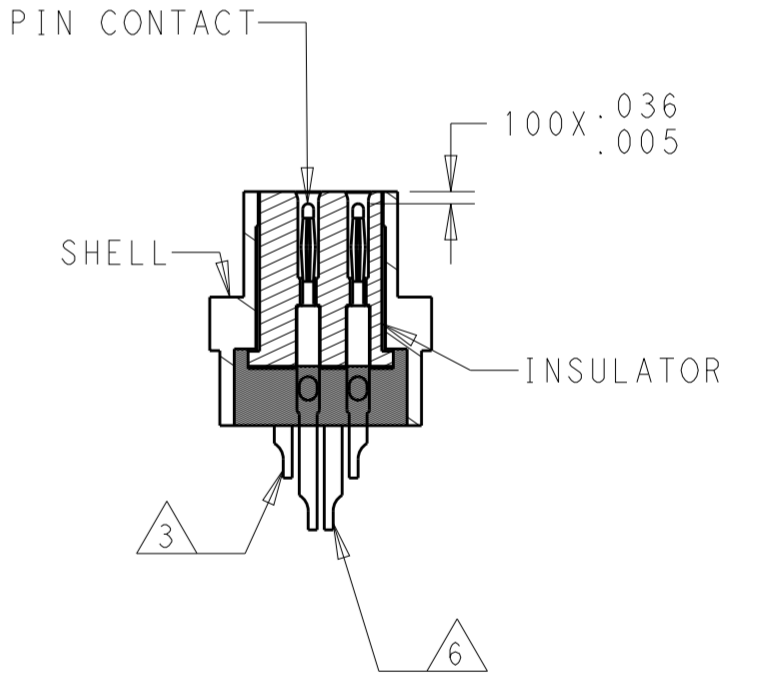
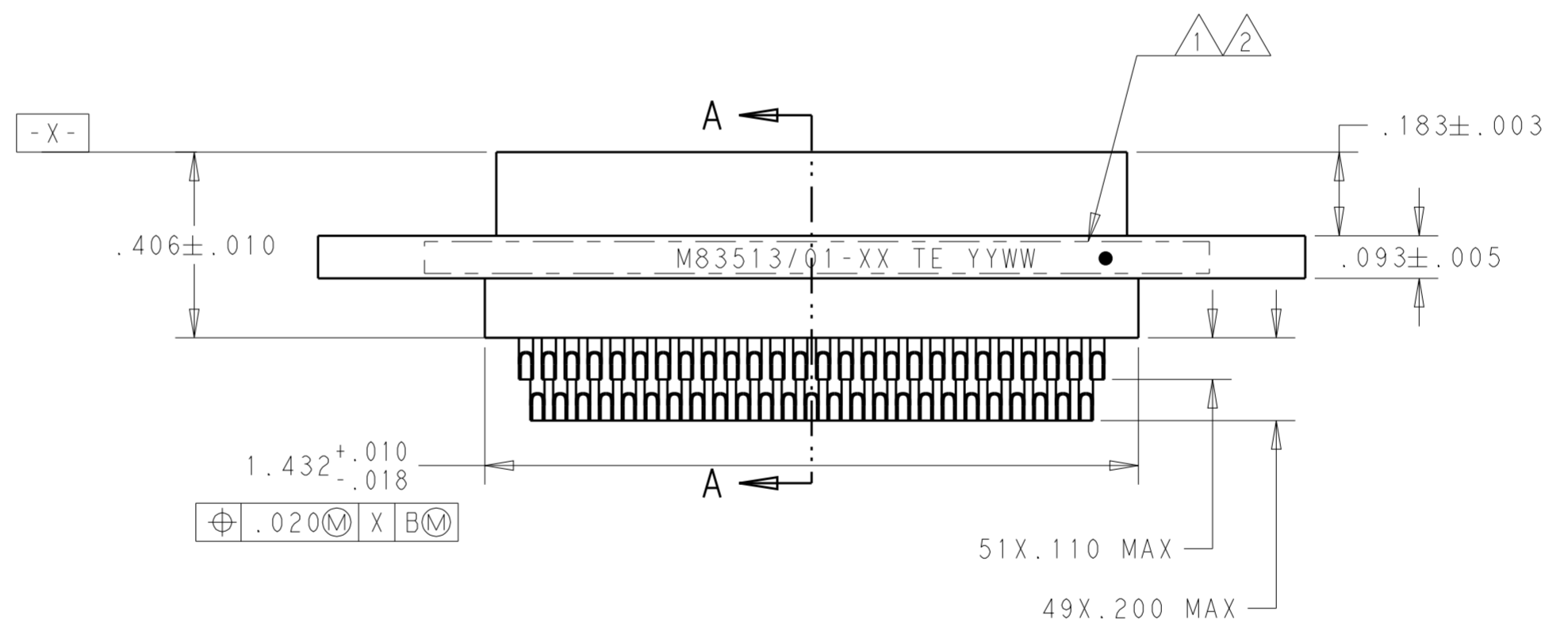
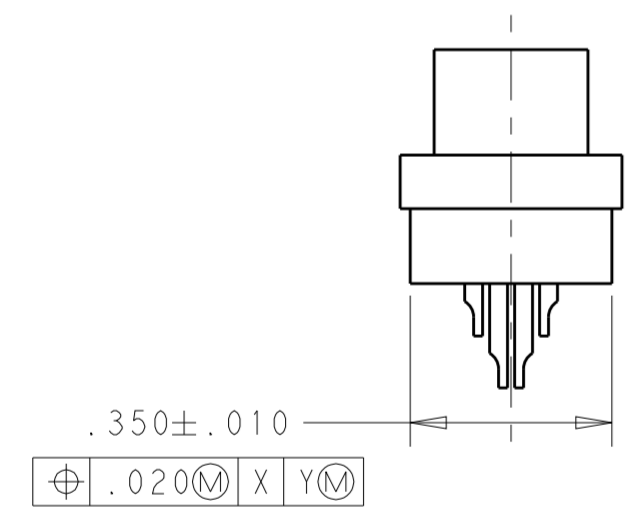
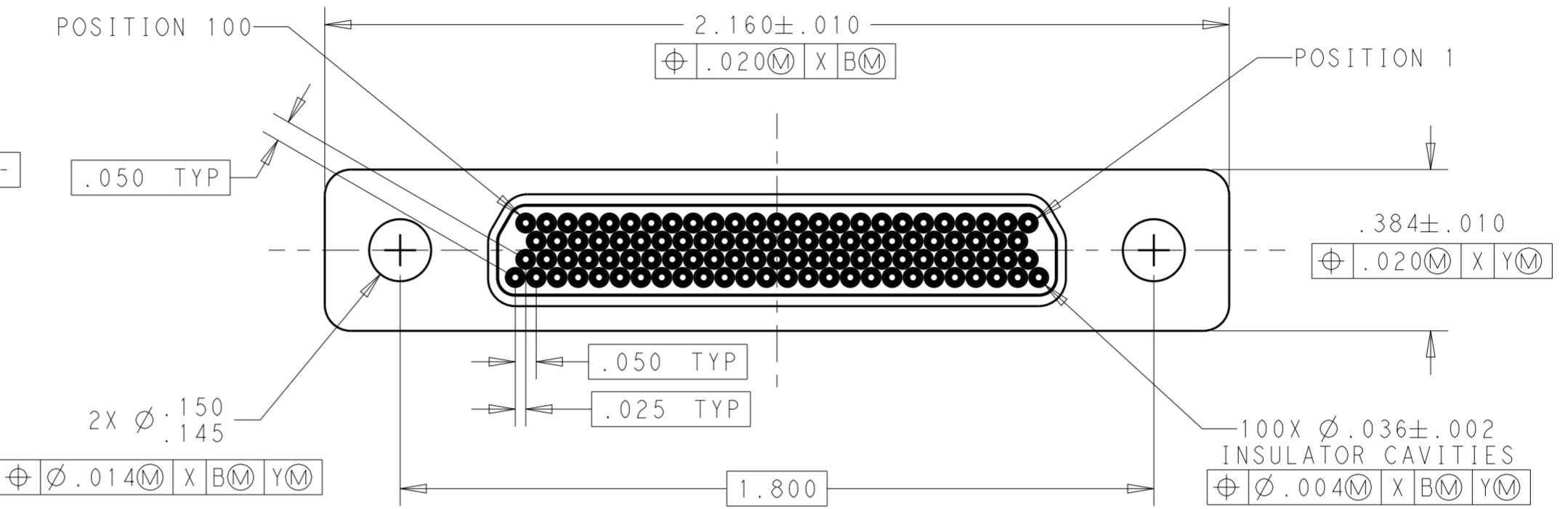
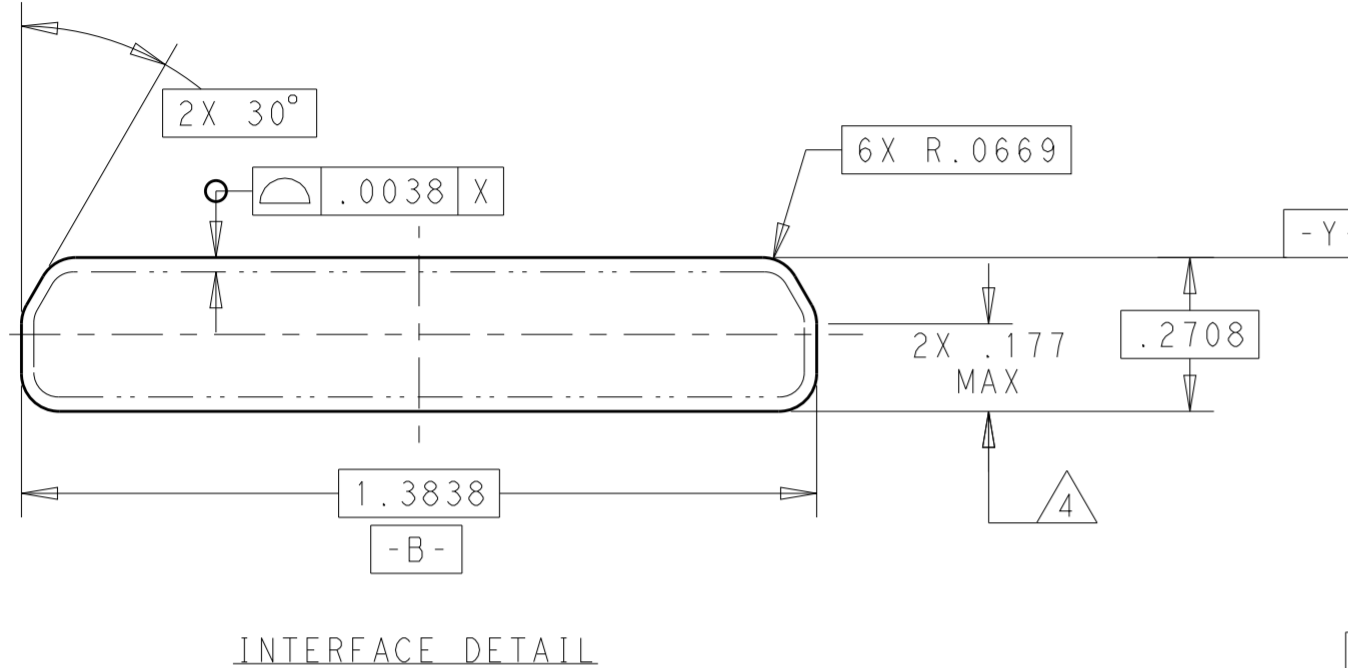


THIS DRAWING IS UNPUBLISHED. RELEASED FOR PUBLICATION 20  
 © COPYRIGHT 20 BY - ALL RIGHTS RESERVED.

REVISIONS				
P	LTR	DESCRIPTION	DATE	APVD
C		UPDATE PER ECO-16-009064	07JUN2016	DS CS



- 1 CONNECTOR SHALL BE MARKED IN ACCORDANCE WITH METHOD 1 OF MIL-STD-1285. MARKING SHALL CONTAIN THE MILITARY PIN, CAGE CODE (OR TE), AND DATE CODE. EXAMPLE: M83513/01-XX TE YYWW (WHERE XX IS PART OF THE PIN SHOWN IN THE "MIL-DTL-83513" COLUMN OF THE PART NUMBER TABLE, AND YYWW IS THE DATE CODE). TEXT HEIGHT SHALL BE .035 INCH MINIMUM.
- 2 POSITION 1 SHALL BE INDICATED BY AN IDENTIFIABLE MARK, LOCATED APPROXIMATELY AS SHOWN ON THE POSITION 1 SIDE OF THE CONNECTOR FLANGE. THIS MARK SHALL BE INCLUDED AS PART OF THE PART MARKING INFORMATION.
- 3 EPOXY ENCAPSULATION. EPOXY MAY WICK .050 INCH MAX FOR SOLDER CUPS.
- 4 THIS DIMENSION IS THE THEORETICAL INTERSECTION OF THE TWO ADJACENT SIDES OF THE INTERFACE.
- 5 ALL DIMENSIONS AND REQUIREMENTS ARE PER MIL-DTL-83513/1.
- 6 CHAMFER ON SOLDER POTS ARE PARALLEL WITH THE SIDE OF CONNECTOR WITHIN 10°.

THIS DRAWING IS A CONTROLLED DOCUMENT.		DWN C SCHOLL 21MAR2005	TE Connectivity	
DIMENSIONS: IN		CHK M STORRY 21MAR2005		
TOLERANCES UNLESS OTHERWISE SPECIFIED:		APVD	NAME PLUG ASSEMBLY MICRO-D PER MIL-DTL-83513/01 MCKS SERIES, 100 POSITION	
0 PLC ±-		PRODUCT SPEC	SIZE A298278	
1 PLC ±-		APPLICATION SPEC	CAGE CODE C-1532216	
2 PLC ±.010		WEIGHT	DRAWING NO -	
3 PLC ±.005		CUSTOMER DRAWING	RESTRICTED TO -	
4 PLC ±-		SCALE 3:1	SHEET 1 OF 2	
ANGLES ±1°		REV C		
FINISH				

THIS DRAWING IS UNPUBLISHED.      RELEASED FOR PUBLICATION      20  
 © COPYRIGHT 20      BY -      ALL RIGHTS RESERVED.

REVISIONS				
P	LTR	DESCRIPTION	DATE	APVD
		SEE SHEET 1		



TE PART NUMBER	MIL-DTL-83513 PIN	MICRODOT P/N	MCKS DESCRIPTION
1532216-1	M83513/01-HN	094-6925-0000	MCKS-N1-B-100PS
1532216-2	M83513/01-HC	094-6935-0000	MCKS-C2-B-100PS
1532216-3	M83513/01-HP	094-6945-0000	MCKS-P1-B-100PS

THIS DRAWING IS A CONTROLLED DOCUMENT.		DWN C SCHOLL 21MAR2005	TE Connectivity	
DIMENSIONS: IN		CHK -		
		TOLERANCES UNLESS OTHERWISE SPECIFIED:		APVD M. STORRY 21MAR2005
		0 PLC ±- 1 PLC ±- 2 PLC ±.010 3 PLC ±.005 4 PLC ±- ANGLES ±1° FINISH -		NAME PLUG ASSEMBLY MICRO-D PER MIL-DTL-83513/01 MCKS SERIES, 100 POSITION
MATERIAL -		PRODUCT SPEC -	APPLICATION SPEC -	SIZE A2
		WEIGHT -	CAGE CODE 98278	DRAWING NO C-1532216
		CUSTOMER DRAWING	SCALE 3:1	SHEET 2 OF 2
			REV C	RESTRICTED TO -