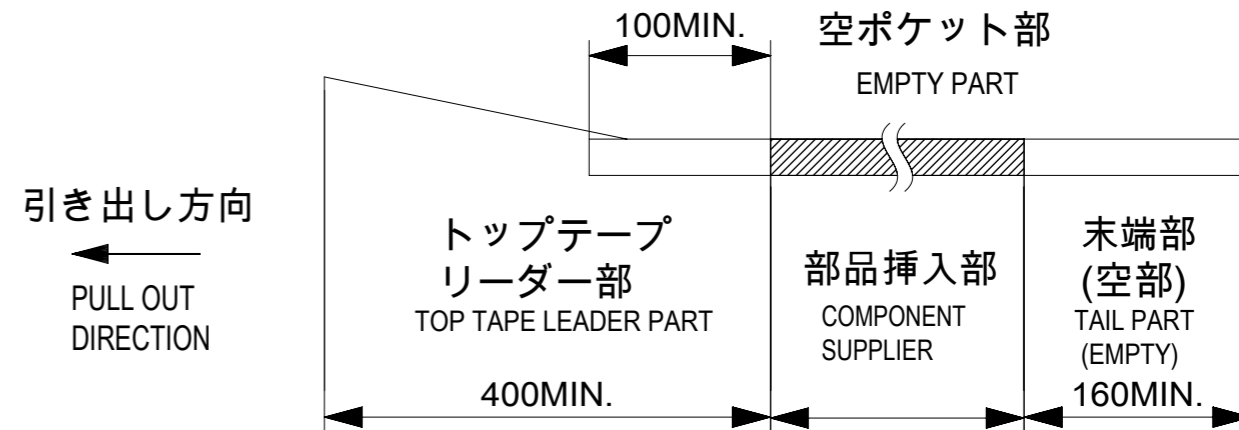


NOTES

- 梱包数量 : 1500個 / リール
NUMBER OF CONNECTORS : 1500 PCS/REEL.
- リードテープ長さ
LEAD TAPE LENGTH

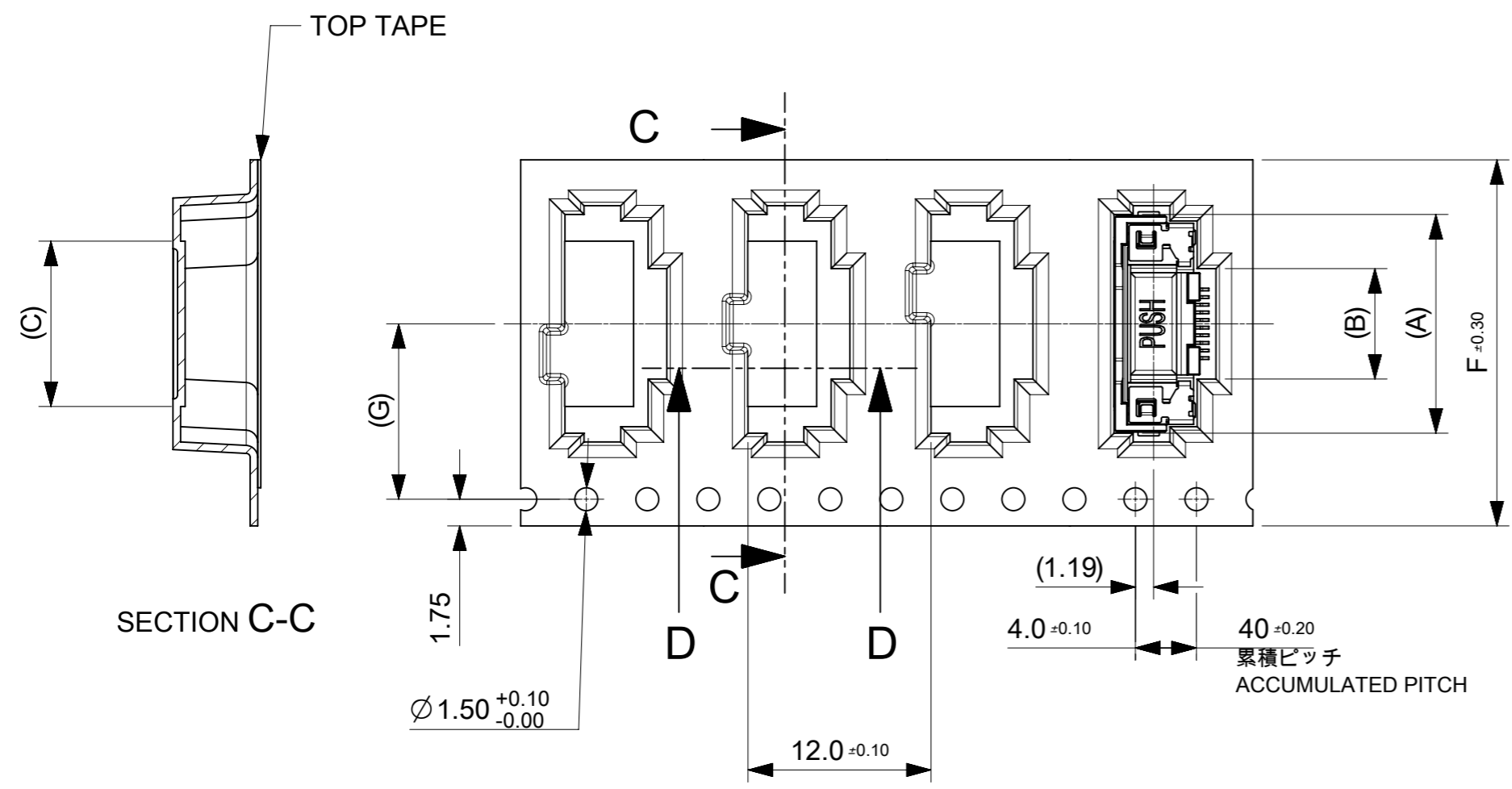


- カバーテープの剥離強度については、IEC60286-3に準拠。
TOP TAPE PEEL FORCE IS DEFINED BY IEC 60286-3.
- 製品詳細寸法については、図面 2004851400を参照下さい。
FOR DIMENSIONS OF PRODUCT, REFER TO 2004851400
- 材料 MATERIAL
キャリアテープ : ポリスチレン
CARRIER TAPE : POLYSTYRENE
トップテープ : ポリエチレンテレフタレート、ポリエチレン
TOP TAPE : POLYETHYLENE TEREPHTHALATE, POLYETHYLENE
リール : ポリスチレン<リサイクル材を含む>
REEL: POLYSTYRENE RECYCLED MATERIAL CONTAINED
- ELV及びRoHS適合品 ELV AND RoHS COMPLIANT.

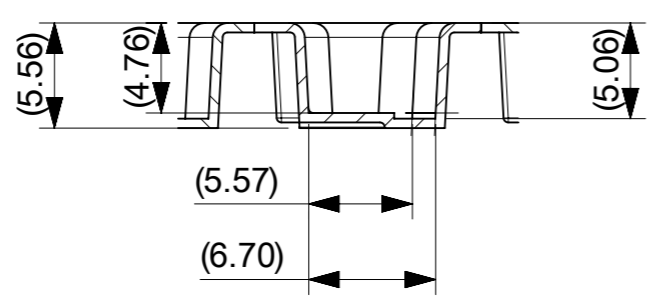
THIS DRAWING CONTAINS INFORMATION THAT IS PROPRIETARY TO MOLEX ELECTRONIC TECHNOLOGIES, LLC AND SHOULD NOT BE USED WITHOUT WRITTEN PERMISSION		CURRENT REV DESC:		molex		
DIMENSION UNITS	SCALE					
mm	NTS			EMB PKG ONE-TOUCH RA		
GENERAL TOLERANCES (UNLESS SPECIFIED)				PRODUCT CUSTOMER DRAWING		
ANGULAR TOL	± 1.0 °			DOCUMENT NUMBER		
4 PLACES	± 0.1	EC NO: 648126		2004850400		
3 PLACES	± 0.1	DRWN: TYAMANE		PSD		
2 PLACES	± 0.1	CHK'D: YMATSUMOTO		000		
1 PLACE	± 0.1	APPR: SHOSHIKAWA		B		
0 PLACES	± 0.1	INITIAL REVISION:		REVISION		
DRAFT WHERE APPLICABLE MUST REMAIN WITHIN DIMENSIONS		THIRD ANGLE PROJECTION	DRAWING	SERIES	MATERIAL NUMBER	CUSTOMER
			A3-SIZE	200485	SEE TABLE	GENERAL
						SHEET NUMBER
						1 OF 3

引き出し方向
PULL OUT
DIRECTION

TOP TAPE



SECTION C-C



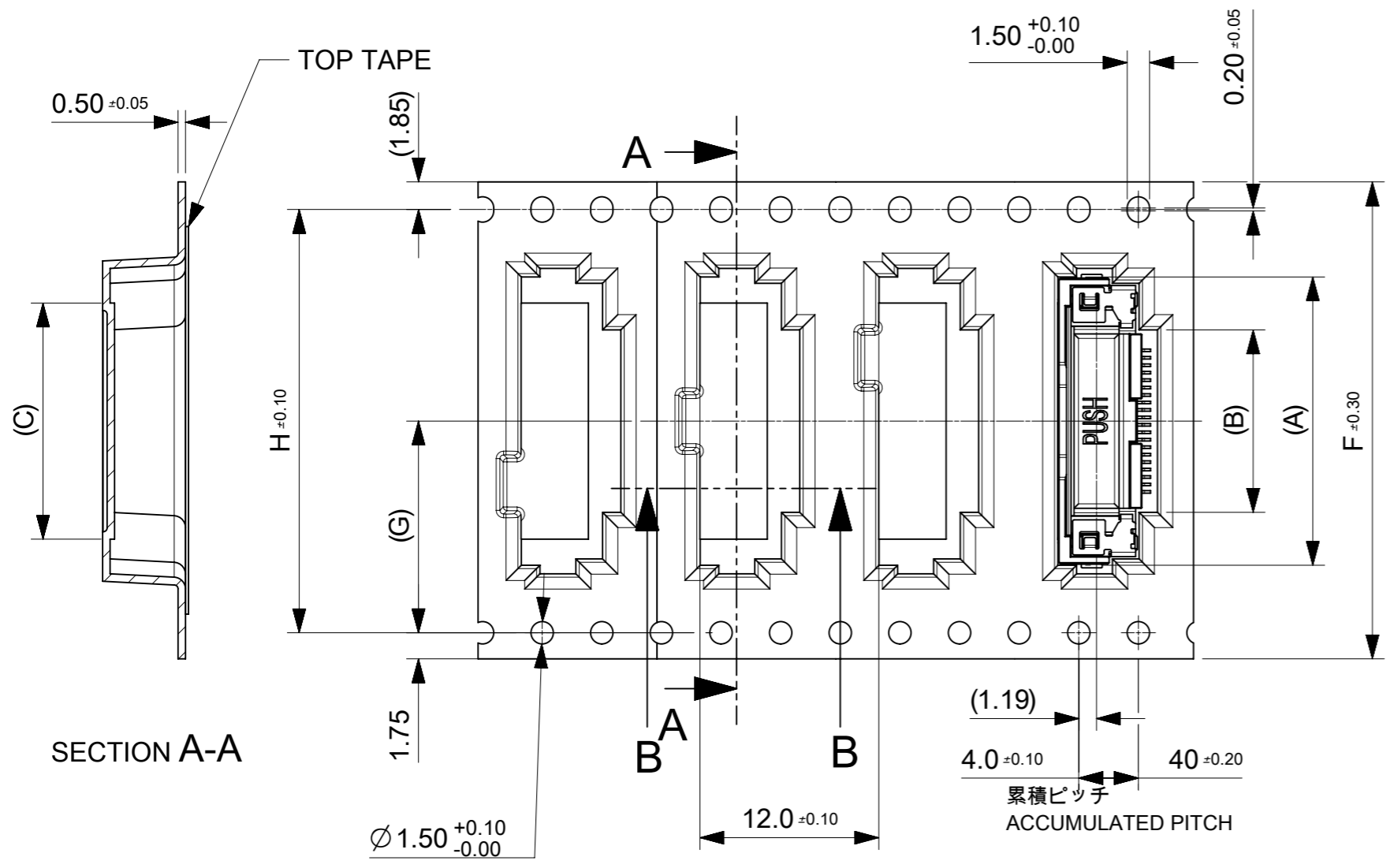
SECTION D-D

11.5	24	29.4	25.4	10.84	7.04	14.34	2004850410	10
G	F	E	D	C	B	A	EMBOSSED PACKAGE	Ckt
							オーダー番号 ORDER NO.	

THIS DRAWING CONTAINS INFORMATION THAT IS PROPRIETARY TO MOLEX ELECTRONIC TECHNOLOGIES, LLC AND SHOULD NOT BE USED WITHOUT WRITTEN PERMISSION											
DIMENSION UNITS mm		SCALE NTS		CURRENT REV DESC:						molex	
GENERAL TOLERANCES (UNLESS SPECIFIED)				EC NO: 648126 DRWN: TYAMANE 2020/10/15 CHK'D: YMATSUMOTO 2020/10/30 APPR: SHOSHIKAWA 2020/11/02							
ANGULAR TOL ± 1.0 °				EMBOSSED PACKAGE						EMB PKG ONE-TOUCH RA	
4 PLACES ± 0.1				PRODUCT CUSTOMER DRAWING							
3 PLACES ± 0.1				INITIAL REVISION:						DOCUMENT NUMBER	
2 PLACES ± 0.1				DRWN: TYAMANE 2018/09/28						2004850400	
1 PLACE ± 0.1				APPR: SHOSHIKAWA 2020/06/08						PSD 000 B	
0 PLACES ± 0.1				DRAFT WHERE APPLICABLE MUST REMAIN WITHIN DIMENSIONS		THIRD ANGLE PROJECTION		DRAWING		SHEET NUMBER	
				A3-SIZE		SERIES		MATERIAL NUMBER		CUSTOMER	
						200485		SEE TABLE		GENERAL	
										2 OF 3	

CONNECTOR NO. 20048514**

引き出し方向
PULL OUT
DIRECTION

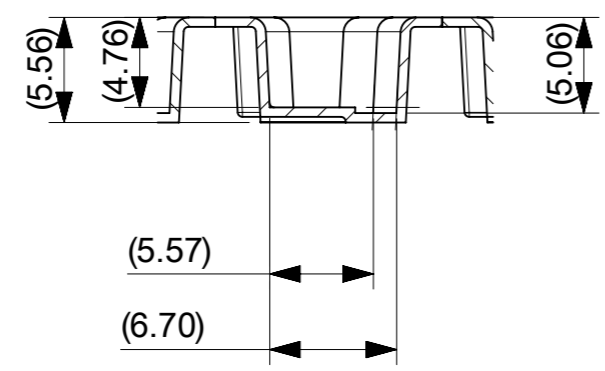


1.50 ^{+0.10}/_{-0.00} 0.20 ±0.05

(1.19) 4.0 ±0.10 40 ±0.20
累積ピッチ
ACCUMULATED PITCH

Ø1.50 ^{+0.10}/_{-0.00}

68.4	34.2	72	78.1	73.5	45.84	42.04	49.34	2004850480	80
					40.84	37.04	44.34	2004850470	70
52.4	26.2	56	61.4	75.4	35.84	32.04	39.34	2004850460	60
					31.34	27.54	34.84	2004850451	51
					30.84	27.04	34.34	2004850450	50
40.4	20.2	44	49.4	45.4	25.84	22.04	29.34	2004850440	40
					23.34	19.54	26.84	2004850435	35
					20.84	17.04	24.34	2004850430	30
28.4	14.2	32	37.4	33.4	15.84	12.04	19.34	2004850420	20
H	G	F	E	D	C	B	A	EMBOSSED PACKAGE	Ckt
								オーダー番号 ORDER NO.	

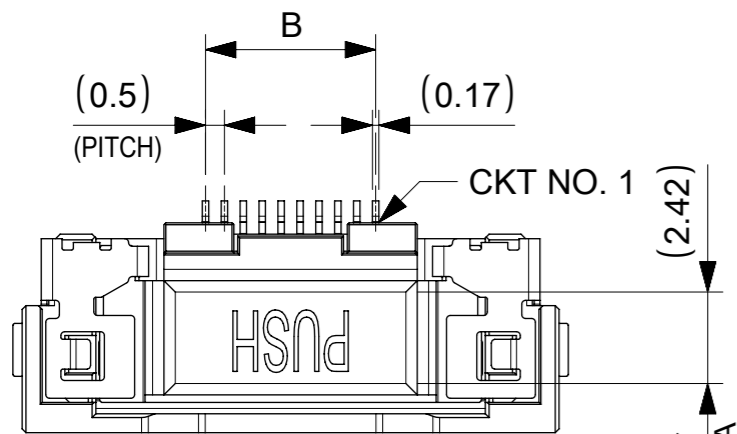


SECTION B-B

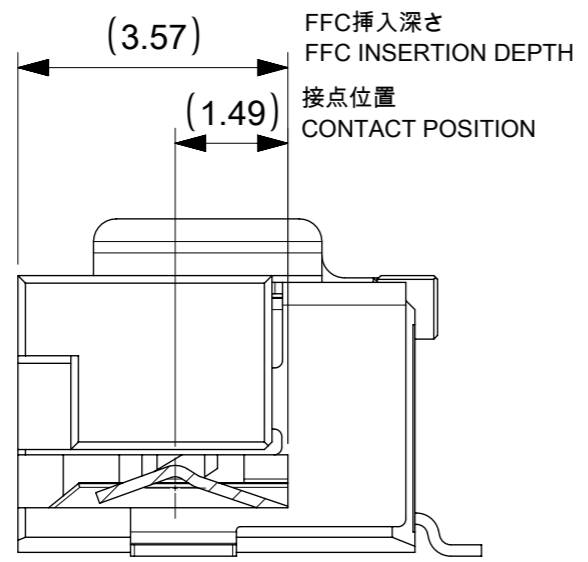
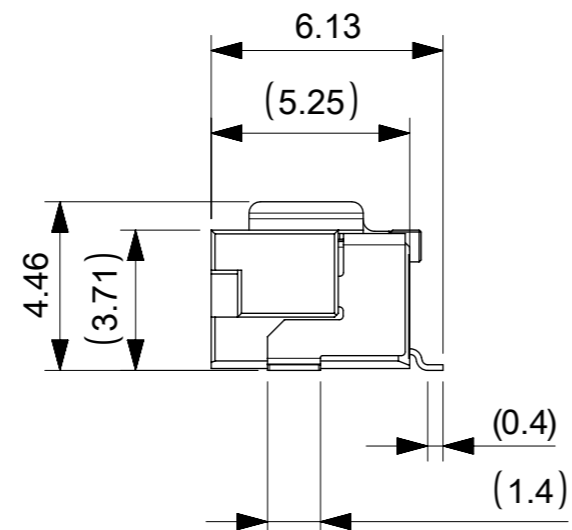
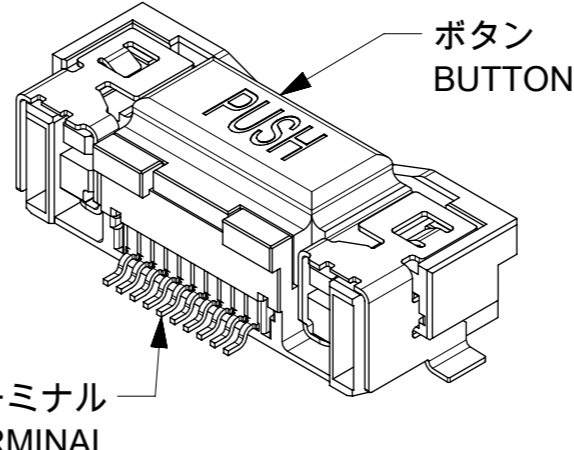
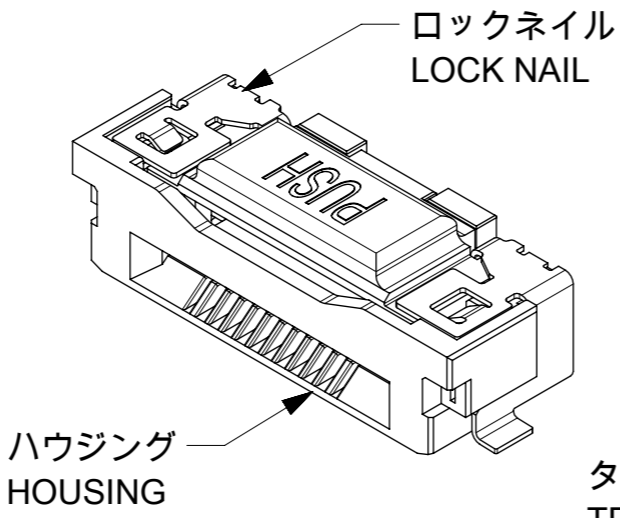
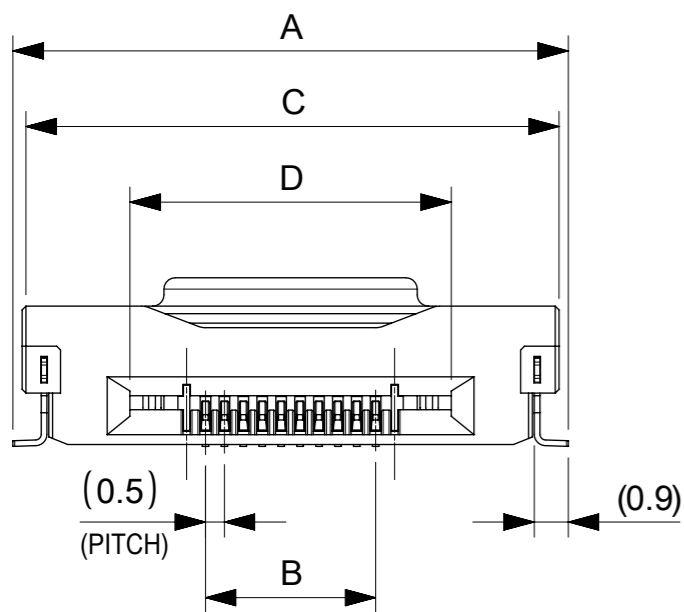
CONNECTOR NO. 20048514**

THIS DRAWING CONTAINS INFORMATION THAT IS PROPRIETARY TO MOLEX ELECTRONIC TECHNOLOGIES, LLC AND SHOULD NOT BE USED WITHOUT WRITTEN PERMISSION

DIMENSION UNITS mm	SCALE NTS	CURRENT REV DESC:		molex	
GENERAL TOLERANCES (UNLESS SPECIFIED)		EC NO: 648126			
ANGULAR TOL	± 1.0 °	DRWN: TYAMANE 2020/10/15		PRODUCT CUSTOMER DRAWING	
4 PLACES	± 0.1	CHK'D: YMATSUMOTO 2020/10/30		DOCUMENT NUMBER	
3 PLACES	± 0.1	APPR: SHOSHIKAWA 2020/11/02		2004850400	
2 PLACES	± 0.1	INITIAL REVISION:		DOC TYPE	DOC PART
1 PLACE	± 0.1	DRWN: TYAMANE 2018/09/28		PSD	000
0 PLACES	± 0.1	APPR: SHOSHIKAWA 2020/06/08		REVISION	B
DRAFT WHERE APPLICABLE MUST REMAIN WITHIN DIMENSIONS		THIRD ANGLE PROJECTION	DRAWING	SERIES	MATERIAL NUMBER
			A3-SIZE	200485	SEE TABLE
				CUSTOMER	SHEET NUMBER
				GENERAL	3 OF 3



(2.42)
吸着エリア
PICK AND PLACE AREA

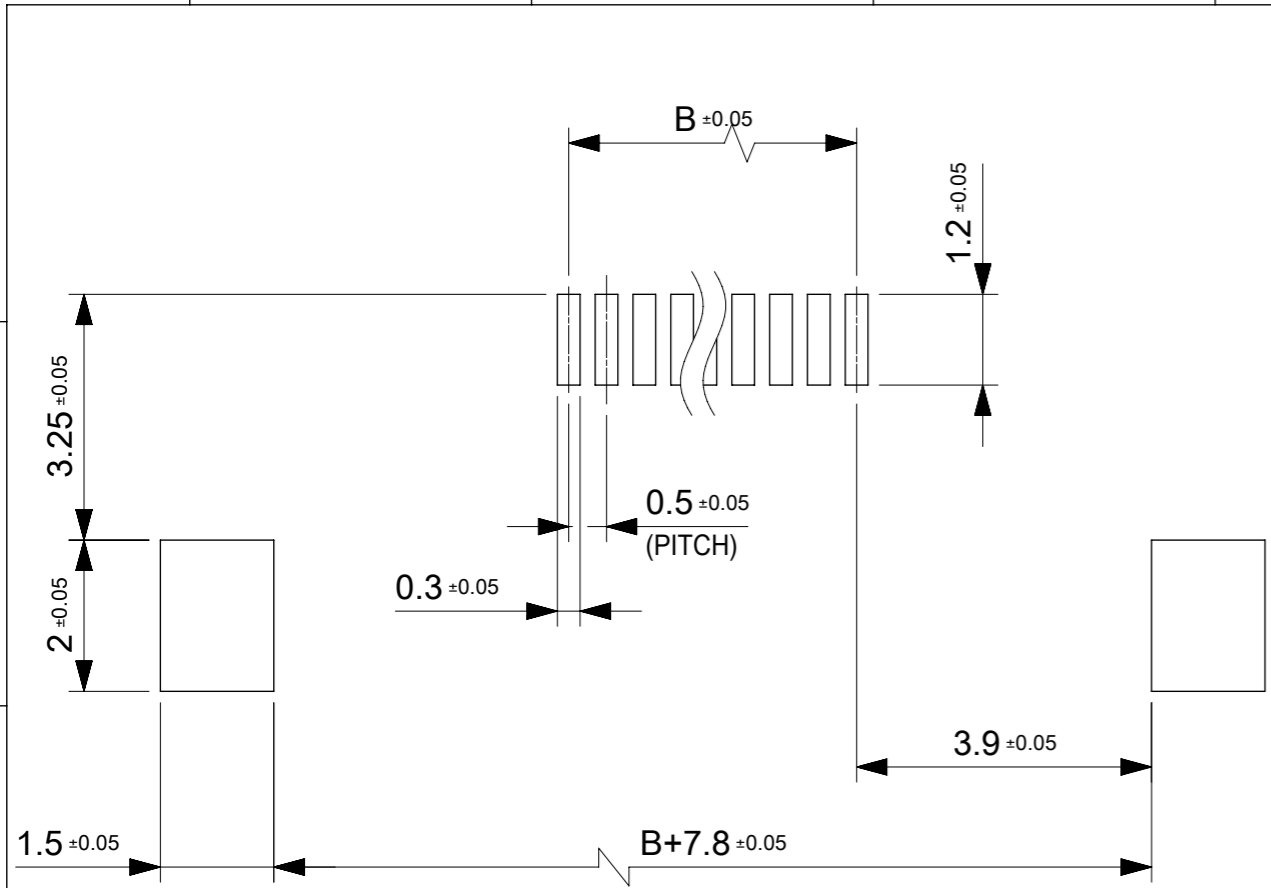


- NOTES:
- 1.使用材料 MATERIAL
 ハウジング: 液晶ポリマー, ガラス充填, UL94V-0(黒)
 HOUSING: LIQUID CRYSTAL POLYMER, GLASS FILLED, UL94V-0(BLACK)
 ボタン: 液晶ポリマー, ガラス充填, UL94V-0(ナチュラル)
 BUTTON: LIQUID CRYSTAL POLYMER, GLASS FILLED, UL94V-0(NATURAL)
 ターミナル: 銅合金(t=0.15)
 TERMINAL: COPPER ALLOY
 ロックネイル: 銅合金(t=0.15)
 LOCK NAIL: COPPER ALLOY
 - 2.めっき仕様 PLATING
 ターミナル TERMINAL
 接点部: 金めっき 0.1μm以上
 CONTACT AREA: GOLD 0.1 MICROMETER MINIMUM
 半田付け部: 金めっき
 SOLDER TAIL AREA: GOLD
 下地めっき: ニッケル 1.0μm以上
 UNDERPLATE: NICKEL 1.0 MICROMETER MINIMUM
 ロックネイル LOCK NAIL
 錫めっき(1.0μm以上)
 TIN PLATING (1.0 MICROMETER MIN.)
 - 3.平坦度は0.1ミリ以下とする。
 COPLANALITY TO BE 0.1 MAXIMUM.

1.302	43.5	49.2	39.5	49.69	2004850480	80
1.195	38.5	44.2	34.5	44.69	2004850470	70
1.054	33.5	39.2	29.5	39.69	2004850460	60
0.958	29	34.7	25	35.19	2004850451	51
0.942	28.5	34.2	24.5	34.69	2004850450	50
0.796	23.5	29.2	19.5	29.69	2004850440	40
0.702	21	26.7	17	27.19	2004850435	35
0.650	18.5	24.2	14.5	24.69	2004850430	30
0.505	13.5	19.2	9.5	19.69	2004850420	20
0.359	8.5	14.2	4.5	14.69	2004850410	10
NET WEIGHT (g)	D	C	B	A	EMBOSSED PACKAGE	CIRCUIT

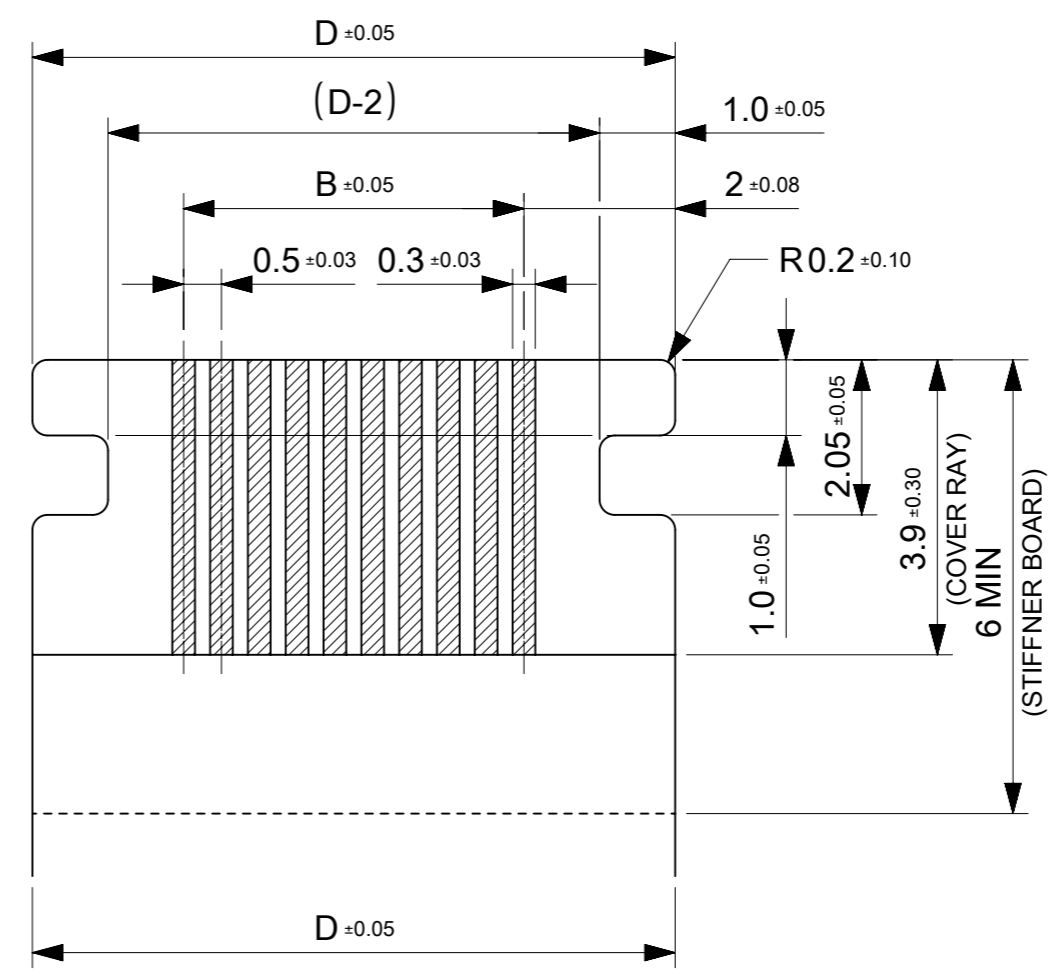
CONNECTOR SERIES NO. 20048514**

THIS DRAWING CONTAINS INFORMATION THAT IS PROPRIETARY TO MOLEX ELECTRONIC TECHNOLOGIES, LLC AND SHOULD NOT BE USED WITHOUT WRITTEN PERMISSION		CURRENT REV DESC:		molex	
DIMENSION UNITS	SCALE				
mm	5:1			0.5FFC CONN. RA ONE TOUCH ASS'Y	
GENERAL TOLERANCES (UNLESS SPECIFIED)				PRODUCT CUSTOMER DRAWING	
ANGULAR TOL	± 1.0°			DOCUMENT NUMBER	
4 PLACES	± 0.1	EC NO: 751302		2004851400	
3 PLACES	± 0.1	DRWN: SISUZUKI		PSD 000 D	
2 PLACES	± 0.1	CHK'D: HSHIMUYAMA		DOC TYPE	
1 PLACE	± 0.1	APPR: YNAITO		DOC PART	
0 PLACES	± 0.1	INITIAL REVISION:		REVISION	
DRAFT WHERE APPLICABLE MUST REMAIN WITHIN DIMENSIONS		THIRD ANGLE PROJECTION		SHEET NUMBER	
		DRAWING		MATERIAL NUMBER	
		SERIES		CUSTOMER	
		A3-SIZE		GENERAL	
		200485		SEE TABLE	



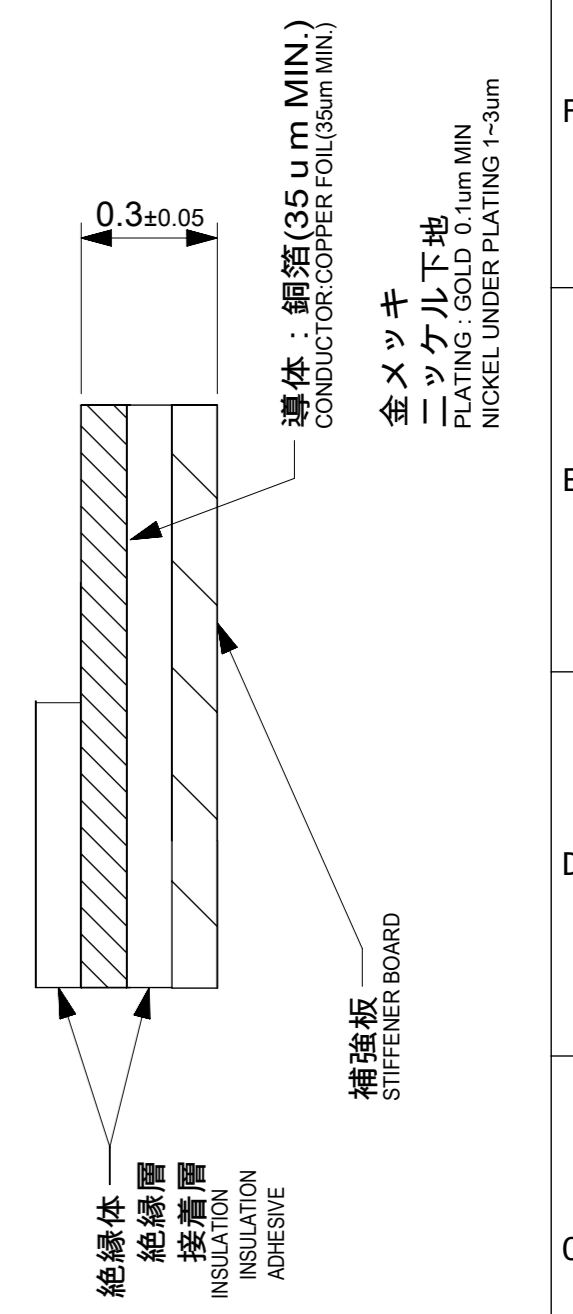
推奨PWB寸法
RECOMMENDED PWB DIMENSION

推奨メタルマスク厚、開口率 : $t=0.12\text{mm}$, 80%
RECOMMENDED METAL MASK THICKNESS, APERTURE RATIO : $t=0.12\text{mm}$, 80%
ロックネイル部は開口率100%
APERTURE RATIO FOR LOCK NAIL: 100%



推奨FFC寸法
RECOMMENDED FFC DIMENSION

抜き方向は導体側から補強版側を推奨します
RECOMMENDED PUNCHING DIRECTION:
FROM CONDUCTOR SIDE TO STIFFENER SIDE



THIS DRAWING CONTAINS INFORMATION THAT IS PROPRIETARY TO MOLEX ELECTRONIC TECHNOLOGIES, LLC AND SHOULD NOT BE USED WITHOUT WRITTEN PERMISSION										
DIMENSION UNITS		SCALE	CURRENT REV DESC:							
mm		10:1	<p style="text-align: center;">molex</p> <p style="text-align: center;">0.5FFC CONN. RA ONE TOUCH ASS'Y</p> <p style="text-align: center;">PRODUCT CUSTOMER DRAWING</p>							
GENERAL TOLERANCES (UNLESS SPECIFIED)										
ANGULAR TOL $\pm 1.0^\circ$										
4 PLACES	± 0.1									
3 PLACES	± 0.1									
2 PLACES	± 0.1									
1 PLACE	± 0.1		EC NO: 751302				2022/10/21			
0 PLACES	± 0.1		DRWN: SISUZUKI				2023/06/02			
DRAFT WHERE APPLICABLE MUST REMAIN WITHIN DIMENSIONS			THIRD ANGLE PROJECTION				DRAWING		SERIES	
			A3-SIZE				200485		MATERIAL NUMBER	
			SEE TABLE				CUSTOMER		SHEET NUMBER	
			GENERAL				2004851400		2 OF 2	
							DOCUMENT NUMBER		DOC TYPE	
							PSD		000	
							D		REVISION	