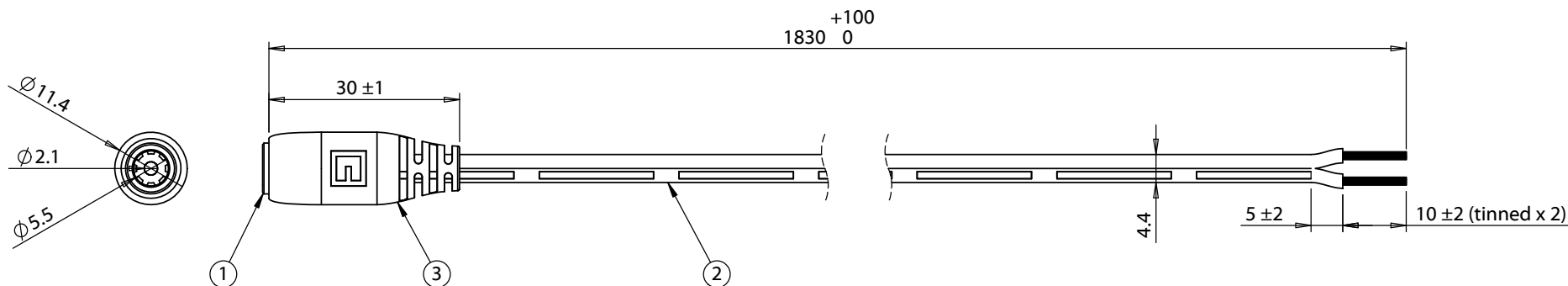


ITEM NO.	PART NUMBER	DESCRIPTION	QTY.	COMPONENT NOTES
1	50-00025	Connector, dc jack, 5.5x2.1xL17.4 mm, molding style	1	
2	30-00396	Wire, 2C TS, 18 AWG, UL2468, 300V, 80C, 4.4 mm, VW-1, PVC, white	1	
3	24-00004	Overmold, PVC, white	1	



Notes:
 Cables individually tied and bundled in groups of 10
 Functionally equivalent components may be substituted
 7 A, 48 Vdc

Wiring Diagram	
50-00025	wire color
center	white with stripe
sleeve	white

Revision:	Date:	Description:	Prepared: JD Digitally signed by JD Date: 2023.01.06 10:02:43 -08'00'	Notes:	<h1>TENSILITY</h1> <p>tel 1.541.323.3228 800 877.670.7118 fax 1.541.323.4202 web tensility.com</p>
A	12/21/2015	Initial release	Verified: MP Digitally signed by MP Date: 2023.01.10 16:03:29 -08'00'	RoHS and REACH compliant	
			Dimensions are in millimeters. Tolerances: X: ± 0.5 mm X.X: ± 0.3 mm X.XX: ± 0.05 mm	Function test: no open, no short circuit, no intermittent	
				Description: Cable, 1830 mm, 5.5x2.1 mm 50-00025 dc jack to stripped tinned, 18 AWG, 30-00396 wire, white	
Scale: 1:2				Size: A	Part number: 10-01262
					Sheet 1 of 1