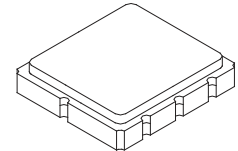


**RF3446E**

**433.92 MHz**  
**SAW Filter**



**SM3030-6 Case**  
**3.0 x 3.0**

- **Ideal Front-End Filter for European Wireless Receivers**
- **Low-Loss, Coupled-Resonator Quartz Design**
- **Simple External Impedance Matching**
- **Complies with Directive 2002/95/EC (RoHS)**
- **Moisture Sensitivity Level: 1**
- **AEC-Q200 Qualified**

The RF3446E is a low-loss, compact, and economical surface-acoustic-wave (SAW) filter designed to provide front-end selectivity in 433.92 MHz receivers. Receiver designs using this filter include superhet with 10.7 MHz or 500 kHz IF, direct conversion and superregen. Typical applications of these receivers are wireless remote-control and security devices operating in Europe under ETSI I-ETS 300 220.

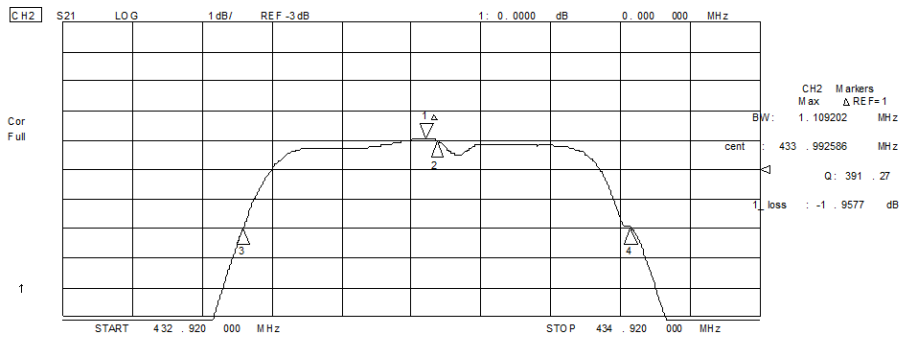
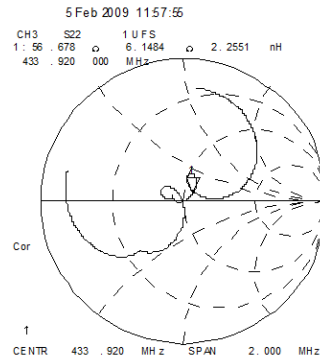
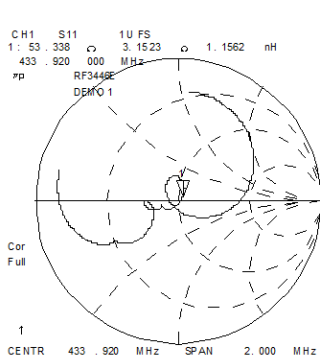
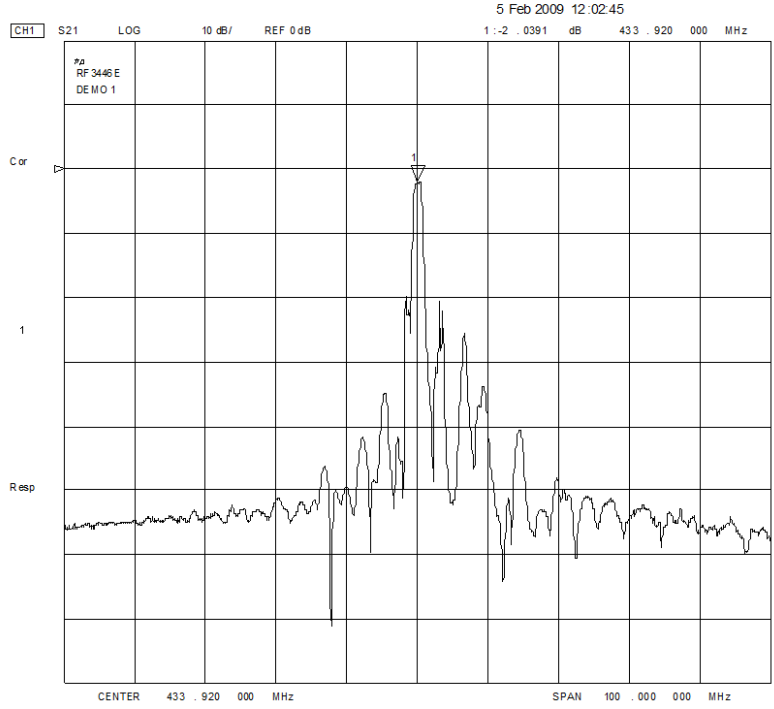
Characteristic	Sym	Notes	Minimum	Typical	Maximum	Units
Center Frequency at 25°C Absolute Frequency	$f_c$			433.92		MHz
Passband Ripple		433.52 to 434.32 MHz		0.5	1.2	dB
Insertion Loss (433.760 - 434.080)	$IL_{MIN}$			2.0	3.0	dB
3 dB Bandwidth	$BW_3$		960	1080	1150	kHz
Rejection Attenuation: (relative to $IL_{min}$ )		10 - 418 MHz	47	50		dB
		418 - 423.7 MHz	44	47		
		423.7 - 430 MHz	33	36		
		430 - 432.5 MHz	16	19		
		436 - 438.5 MHz	18	21		
		438.5 - 446 MHz	21	24		
		446 - 452 MHz	38	41		
		452 - 1000 MHz	45	48		
Turnover Temperature	$T_o$		10	25	40	°C
Temperature	Freq. Temp. Coefficient	FTC		0.032		ppm/°C <sup>2</sup>
Frequency Aging	Absolute Value during the First Year	$ fA $		≤10		ppm/yr
Impedance @ $f_c$	Input $Z_{IN} = R_{IN}    C_{IN}$	$Z_{IN}$	130 Ω    2.5 pF			
	Output $Z_{OUT} = R_{OUT}    C_{OUT}$	$Z_{OUT}$	134.5 Ω    2.48 pF			
Lid Symbolization (Y=year WW=week S=shift)			776, <u>YWWS</u>			
Standard Reel Quantity	Reel Size 7 Inch		500 Pieces/Reel			
	Reel Size 13 Inch		3000 Pieces/Reel			



**CAUTION: Electrostatic Sensitive Device. Observe precautions for handling.**

**NOTES:**

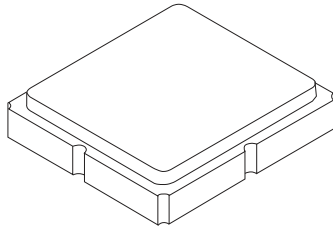
1. The design, manufacturing process, and specifications of this device are subject to change.
2. US or International patents may apply.
3. RoHS compliant from the first date of manufacture.



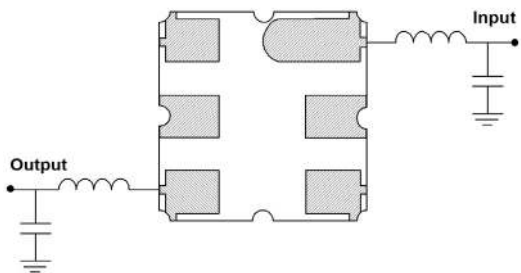
Rating	Value	Units
Input Power Level	10	dBm
DC Voltage	12	VDC
Storage Temperature	-55 to +125	°C
Operable Temperature Range	-40 to +105	°C
Soldering Temperature (10 seconds/5 cycles Max..)	260	°C

### Case and PCB Footprint Dimensions

Dimension	mm			Inches		
	Min	Nom	Max	Min	Nom	Max
A	2.87	3.00	3.13	0.113	0.118	0.123
B	2.87	3.00	3.13	0.113	0.118	0.123
C	1.12	1.25	1.38	0.044	0.049	0.054
D	0.77	0.90	1.03	0.030	0.035	0.040
E	2.67	2.80	2.93	0.105	0.110	0.115
F	1.47	1.60	1.73	0.058	0.063	0.068
G	0.72	0.85	0.98	0.028	0.033	0.038
H	1.37	1.50	1.63	0.054	0.059	0.064
I	0.47	0.60	0.73	0.019	0.024	0.029
J	1.17	1.30	1.43	0.046	0.051	0.056
K		3.20			0.126	
L		1.70			0.067	
M		1.05			0.041	
N		0.81			0.032	
O		0.38			0.015	



### Electrical Connections

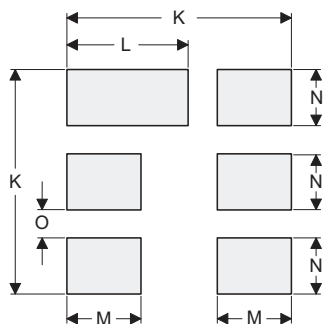


Pin	Connection
1	Input
2	Input Return
3	Ground
4	Output
5	Output Return
6	Ground

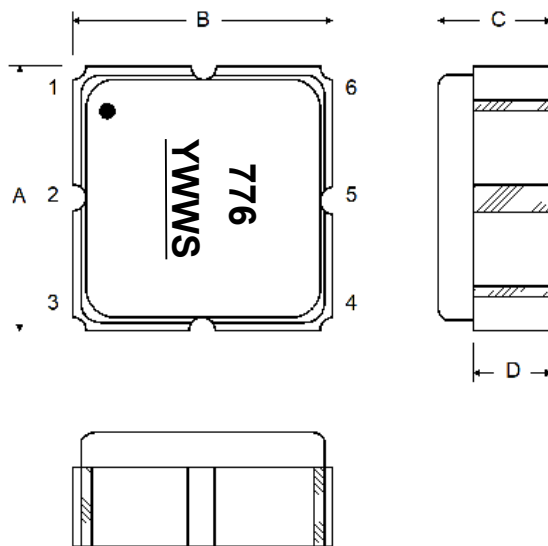
### Case Materials

Materials	
Solder Pad Plating	0.3 to 1.0 $\mu\text{m}$ Gold over 1.27 to 8.89 $\mu\text{m}$ Nickel
Lid Plating	2.0 to 3.0 $\mu\text{m}$ Nickel
Body	$\text{Al}_2\text{O}_3$ Ceramic

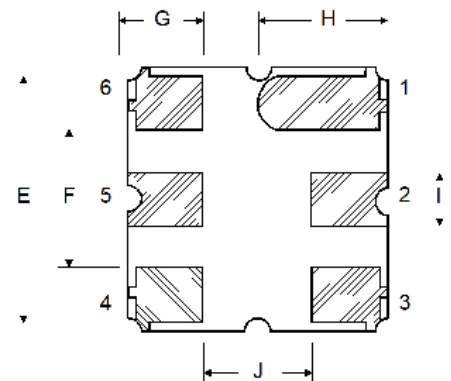
### PCB Footprint Top View



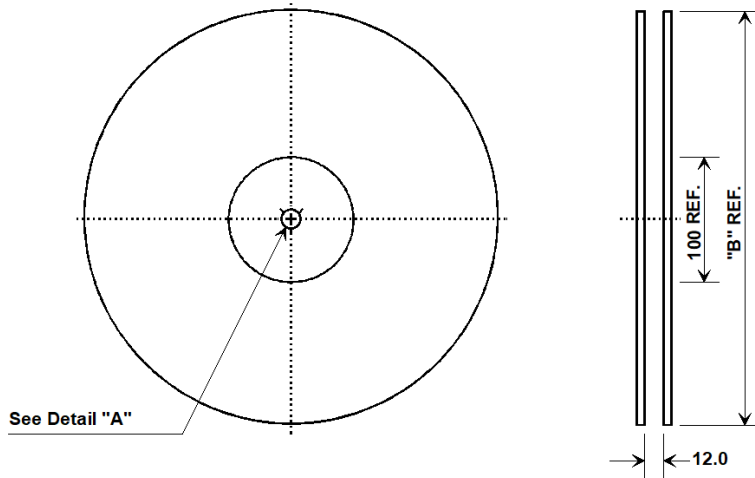
### TOP VIEW



### BOTTOM VIEW

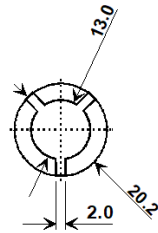


## Tape and Reel Specifications



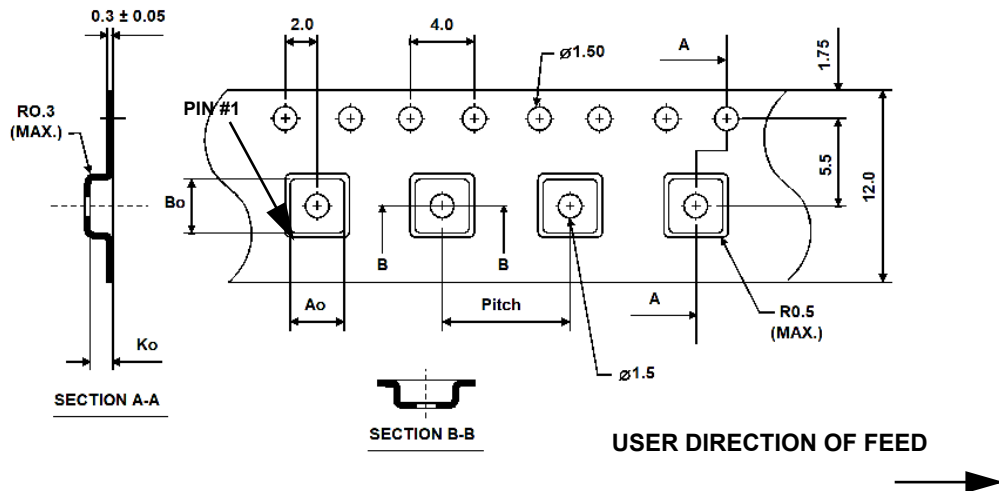
Tape and Reel Standard per ANSI/EIA-481

"B"		Quantity Per Reel
Inches	millimeters	
7	178	500
13	330	3000



### COMPONENT ORIENTATION and DIMENSIONS

Carrier Tape Dimensions	
Ao	3.35 mm
Bo	3.35 mm
Ko	1.40 mm
Pitch	8.0 mm
W	12.0 mm



## Recommended Reflow Profile

1. Preheating shall be fixed at 150~180°C for 60~90 seconds.
2. Ascending time to preheating temperature 150°C shall be 30 seconds min.
3. Heating shall be fixed at 220°C for 50~80 seconds and at 260°C +0/-5°C peak (10 seconds).
4. Time: 5 times maximum.

