



Electrical Specifications

Center Frequency: 16 kHz
3 dB Bandwidth: 6 kHz
1 dB Bandwidth: 4.2 kHz
Insertion Loss: 1 dB Max
Rejection: >40 dB @ 0-10 kHz
 >40 dB @ 22-100 kHz
Power Handling: 0.5 Watts Max

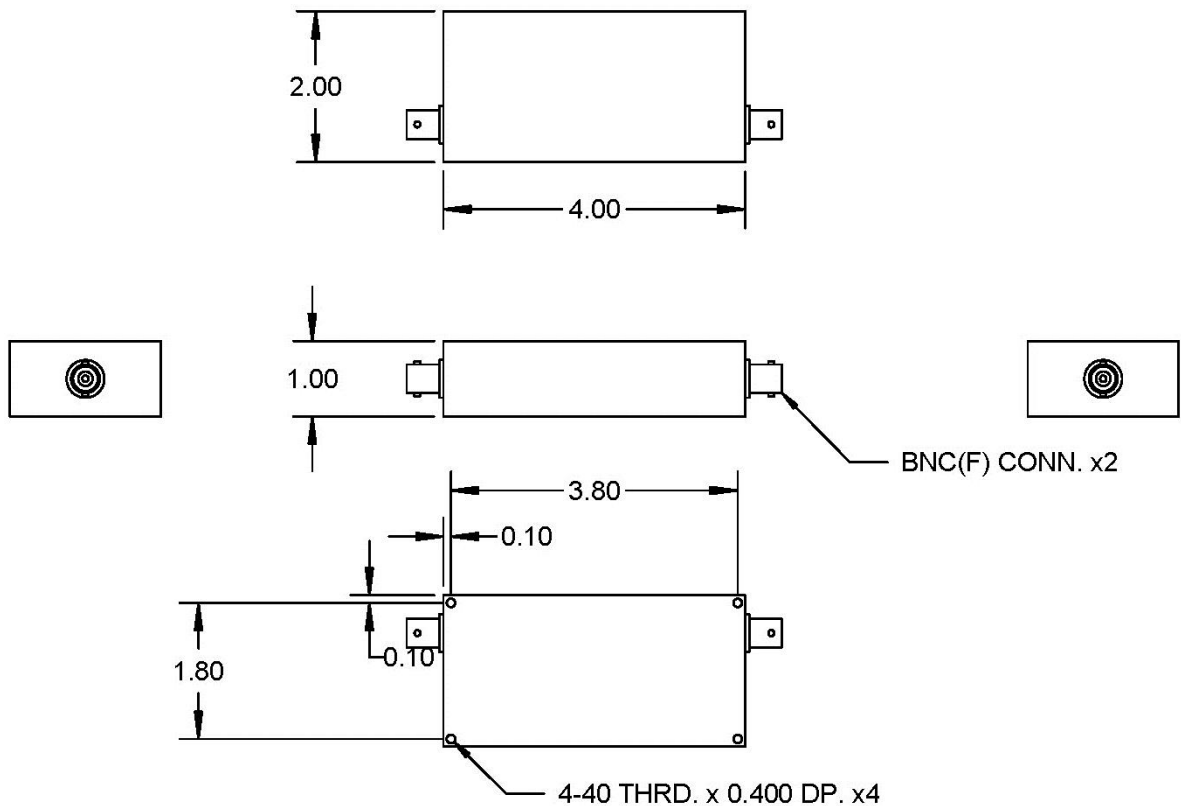
Mechanical

Connector Type: BNC (F)
Dimensions: 4.0 x 2.0 x 1.0 Inches

Environmental

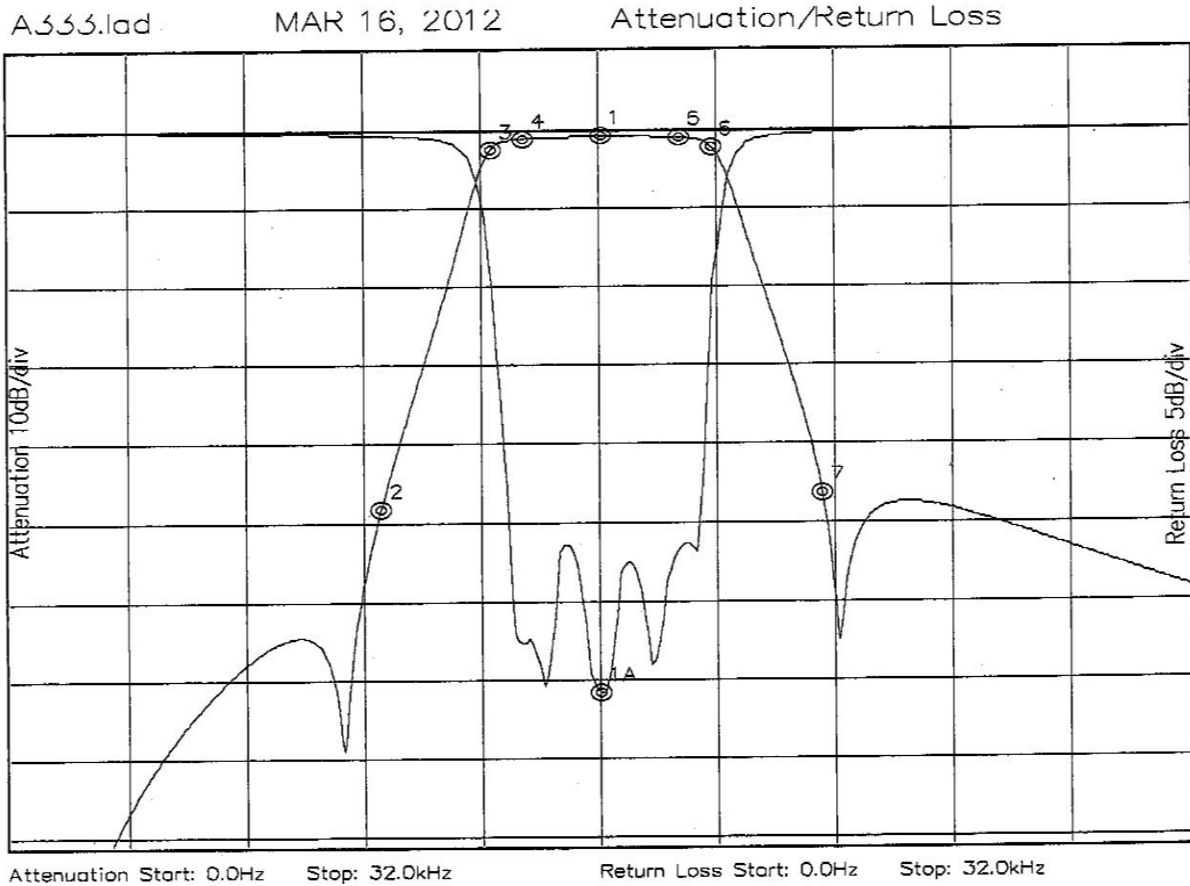
Operating Temperature: -25°C to +70°C
Storage Temperature: -40°C to +90°C
Shock: 10 G. 11ms
Vibration: 10 G. 5 to 200Hz

Outline Drawing:





Response Plot:



Marker 1 Freq 16.026kHz Atten -0.710dB
 Marker 2 Freq 10.029kHz Atten -48.033dB
 Marker 3 Freq 13.027kHz Atten -2.450dB
 Marker 4 Freq 13.906kHz Atten -0.986dB
 Marker 5 Freq 18.145kHz Atten -0.901dB
 Marker 6 Freq 19.024kHz Atten -2.136dB
 Marker 7 Freq 22.023kHz Atten -45.999dB

Marker 1A Freq 15.974kHz Ret Loss -35.601dB