

## AN-1454 LM26001 Evaluation Board

---

---

---

### 1 Introduction

The LM26001 evaluation board is designed to demonstrate the capabilities of the LM26001 switching regulator.

The LM26001 board, schematic shown in [Figure 1](#), is configured to provide an output of 3.3V at up to 1.5A from an input range of 3.5V to 38V (a minimum of 4.5V is required for startup). The nominal operating frequency is 305 kHz and can be synchronized from +30% to -20% of nominal using the SYNC connection post. The evaluation board is designed to operate at ambient temperatures up to 75°C.

Typical evaluation board waveforms and performance curves are shown in [Figure 2](#) through [Figure 7](#). [Figure 8](#) and [Figure 9](#) show the pcb trace layout. To aid in the design and evaluation of dc/dc buck converters based on the LM26001 regulator, the evaluation board can be re-configured for different output voltages and operating frequencies. Test points are also provided to enable easy connection and monitoring of critical signals.

[Table 2](#) shows the Bill of Materials (BOM) for a second example circuit for 1.5V output and 480 kHz switching frequency. This design operates from an input voltage of 3.5V to 38V and enters pulse skipping mode at approximately 24V<sub>in</sub>, depending on loading.

For more information about device function and circuit design, see the *LM26001/LM26001Q 1.5A Switching Regulator with High Efficiency Sleep Mode Data Sheet* ([SNVS430](#)).

### 2 Jumper Settings

The **FPWM** jumper is used to disable the sleep mode function. For normal operation, select 'off', which connects FPWM to GND. For FPWM operation (sleep mode disabled), select 'on'. The **Vbias** jumper connects the VBIAS pin to Vout. When Vout is greater than 3V, the VBIAS function will be activated for improved efficiency. To disable VBIAS, or if Vout is set to less than 3V, set the jumper to 'GND'.

### 3 Optional Components

Before changing the default components, see the device-specific data sheet for information regarding the component selection.

Output voltage and frequency are easily adjustable with single resistors, **R1** and **R3**, respectively. However, large changes to the default settings may require other changes to the inductor, output capacitor, and compensation network.

Several optional component pads have been provided for application flexibility.

The **C7** pad is provided for an additional ceramic output capacitor. This capacitor can be used to lower the total ESR at the output. **D2** blocks reverse current to the input supply during low input voltage and light load conditions. This diode may not be necessary in all applications and can be replaced with a jumper.

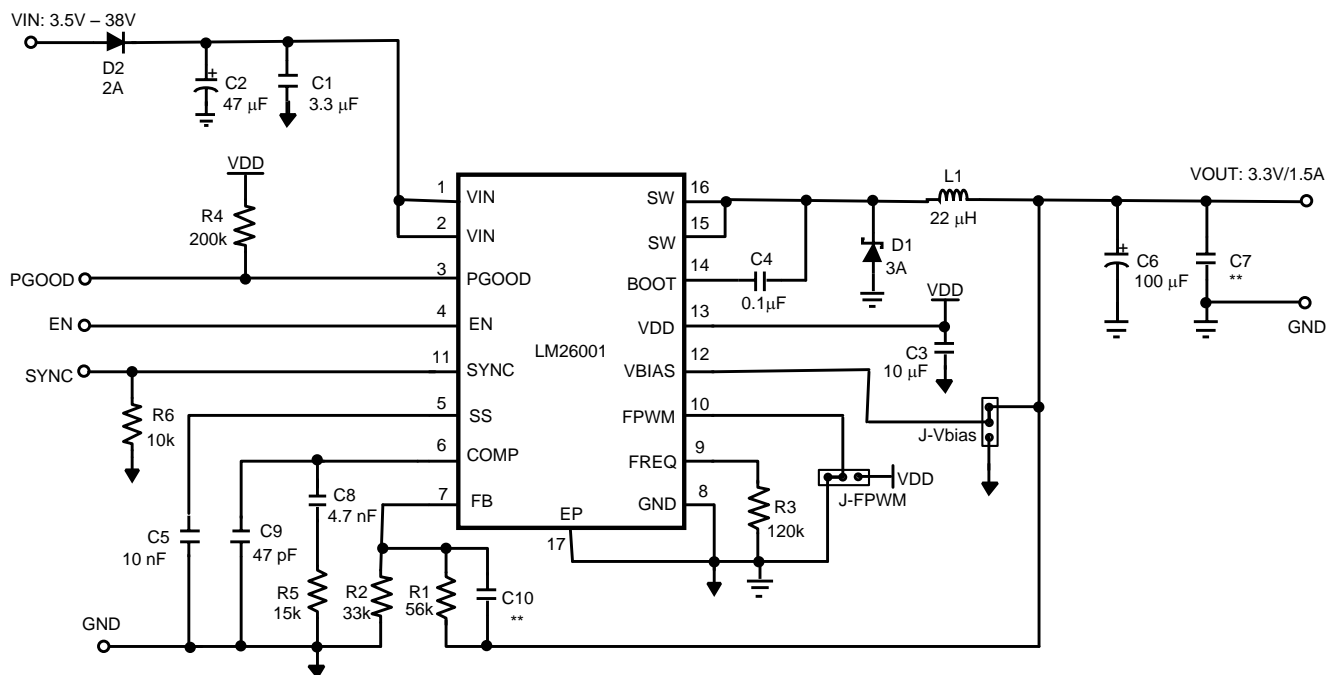
**C10** is a phase lead capacitor that can be installed to increase phase and gain margin. For more detailed information, see the *compensation* section of the device-specific data sheet.

## 4 Powering Up

Before powering up the LM26001 evaluation board, all external connections should be verified. The power supply input must be turned off and connected with proper polarity to the VIN and GND posts. The load should be connected between the VOUT post and GND post. Both the VIN and VOUT connections should use the GND post closest to the VIN post. Output voltage can be monitored with a DVM or oscilloscope at the VOUT post.

The second GND post, close to the IC, is provided primarily for small signal measurements, such as soft-start voltage, or PGOOD. This GND post should also be used when applying optional external signals such as EN and SYNC.

Once all connections have been verified, input power can be applied. The input voltage must be set between 4.5V and 38V. The load can be on or off at startup. If the EN post is left open, the output voltage will ramp up when VIN is applied



\*\* Component not installed

**Figure 1. Evaluation Board Schematic**

**Table 1. LM26001 Bill of Materials (BOM) for  $V_O = 3.3V$ , 1.5A, 305kHz**

Ref No	Value	Footprint	Supplier
C1	3.3 $\mu$ F 50V X7R ceramic	1210	TDK
C2	47 $\mu$ F 50V low ESR electrolytic		Panasonic
C3	10 $\mu$ F 10V B ceramic	1206	Murata
C4	0.1 $\mu$ F 50V COG ceramic	1206	Murata
C5	10nF 50V X7R ceramic	0603	Murata
C6	100 $\mu$ F 8V 12mohm SP		Panasonic
C7	not installed	1206	-
C8	4.7nF 50V COG ceramic	0603	Murata
C9	47pF 50V COG ceramic	0603	Murata
C10	not installed	0603	-
D1	60V 3A NSQ03A06	SMC	NIEC
D2	60V 2A EC21QS06	SMA	NIEC
L1	22 $\mu$ H 3.5A SLF12565T-220M3R5		TDK
R1	56k $\Omega$ 1%	0603	-
R2	33k $\Omega$ 1%	0603	-
R3	120k $\Omega$ 1%	0603	-
R4	200k $\Omega$ 5%	0603	-
R5	15k $\Omega$ 1%	0603	-
R6	10k $\Omega$ 5%	0603	-

## 5 Performance Characteristics

Unless otherwise specified,  $V_{IN} = 12V$ ,  $T_A = 25^\circ C$ .

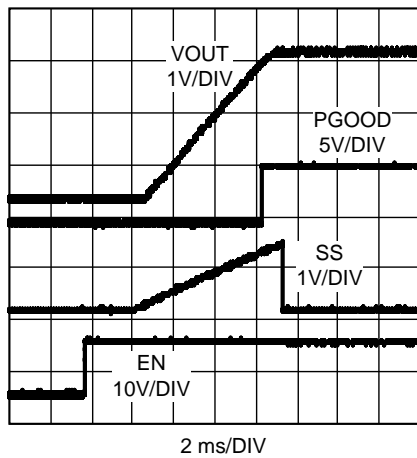


Figure 2. Start-Up Waveforms ( $I_{OUT} = 1A$ )

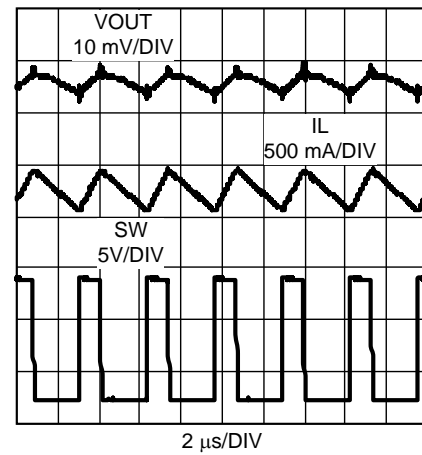


Figure 3. PWM Waveforms ( $I_{OUT} = 1A$ )

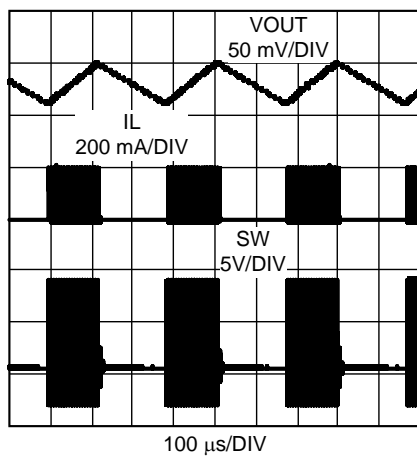


Figure 4. Sleep Mode Waveforms ( $I_{OUT} = 25mA$ )

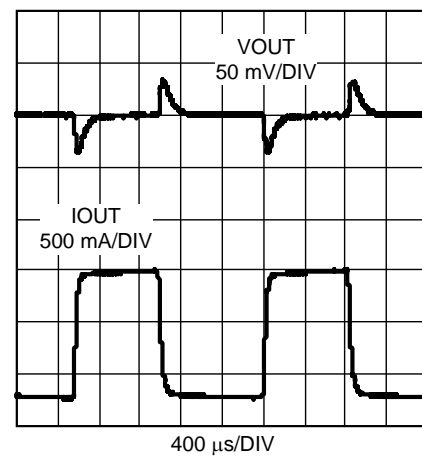


Figure 5. Load Transient Response ( $I_{OUT} = 0.25A$  to  $1.5A$  step)

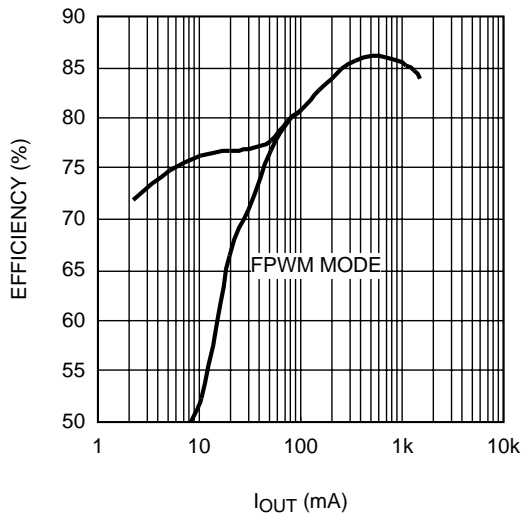


Figure 6. Efficiency vs  $I_{OUT}$   
( $V_{BIAS} = V_{OUT}$ )

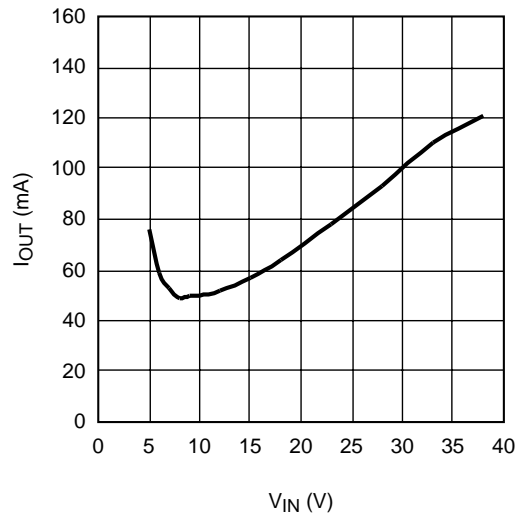


Figure 7. Sleep Mode Threshold Load Current vs Input Voltage

6 PCB Layout Diagram(s)

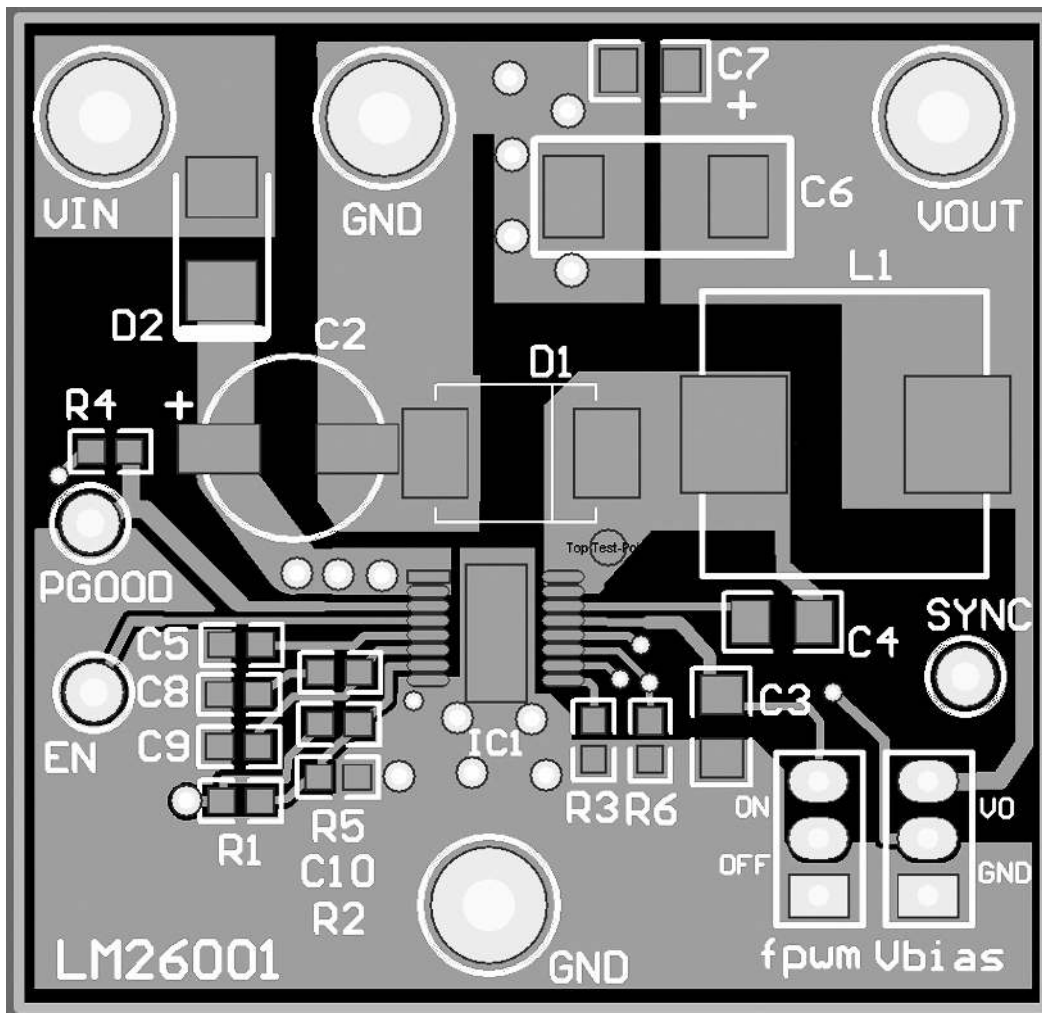


Figure 8. Top Side Layout

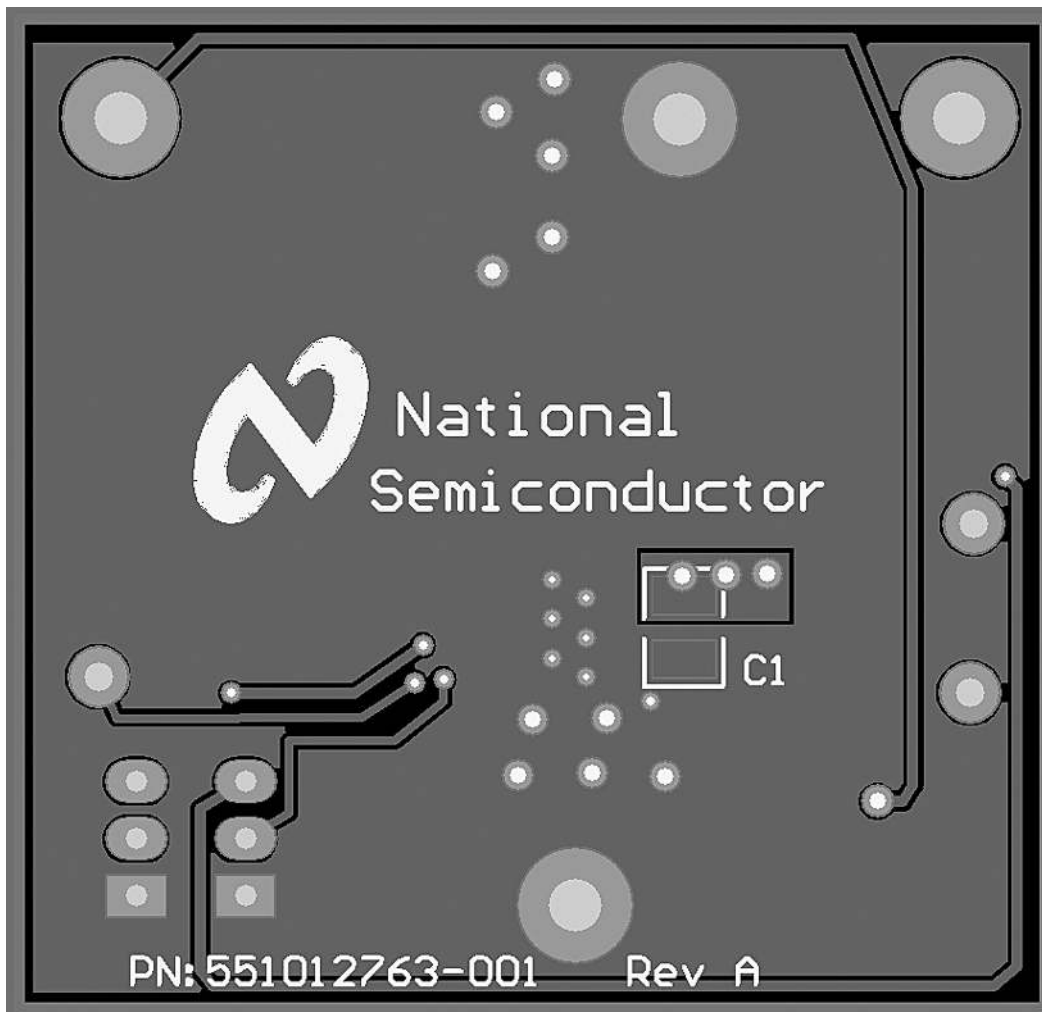


Figure 9. Bottom Side Layout

**Table 2. LM26001 Bill of Materials (BOM) for  $V_o = 1.5V$ , 1.5A, 480kHz**

Ref No	Value	Footprint	Supplier
C1	3.3 $\mu$ F 50V X7R ceramic	1210	TDK
C2	47 $\mu$ F 50V electrolytic		Panasonic
C3	10 $\mu$ F 10V B ceramic	1206	Murata
C4	0.1 $\mu$ F 50V COG ceramic	1206	Murata
C5	10nF 50V X7R ceramic	0603	Murata
C6	100 $\mu$ F 8V 12mohm SP		Panasonic
C7	10 $\mu$ F 6.3V X7R ceramic	1206	Murata
C8	6.8nF 16V COG ceramic	0603	Murata
C9	68pF 25V COG ceramic	0603	Murata
C10	not installed	0603	-
D1	60V 3A NSQ03A06	SMC	NIEC
D2	60V 2A EC21QS06	SMA	NIEC
L1	3.3 $\mu$ H 4.1A RLF7030T-3R3M4R1		TDK
R1	8.2k $\Omega$ 1%	0603	-
R2	39k $\Omega$ 1%	0603	-
R3	75k $\Omega$ 1%	0603	-
R4	200k $\Omega$ 5%	0603	-
R5	20k $\Omega$ 1%	0603	-
R6	10k $\Omega$ 5%	0603	-

## IMPORTANT NOTICE

Texas Instruments Incorporated and its subsidiaries (TI) reserve the right to make corrections, enhancements, improvements and other changes to its semiconductor products and services per JESD46, latest issue, and to discontinue any product or service per JESD48, latest issue. Buyers should obtain the latest relevant information before placing orders and should verify that such information is current and complete. All semiconductor products (also referred to herein as "components") are sold subject to TI's terms and conditions of sale supplied at the time of order acknowledgment.

TI warrants performance of its components to the specifications applicable at the time of sale, in accordance with the warranty in TI's terms and conditions of sale of semiconductor products. Testing and other quality control techniques are used to the extent TI deems necessary to support this warranty. Except where mandated by applicable law, testing of all parameters of each component is not necessarily performed.

TI assumes no liability for applications assistance or the design of Buyers' products. Buyers are responsible for their products and applications using TI components. To minimize the risks associated with Buyers' products and applications, Buyers should provide adequate design and operating safeguards.

TI does not warrant or represent that any license, either express or implied, is granted under any patent right, copyright, mask work right, or other intellectual property right relating to any combination, machine, or process in which TI components or services are used. Information published by TI regarding third-party products or services does not constitute a license to use such products or services or a warranty or endorsement thereof. Use of such information may require a license from a third party under the patents or other intellectual property of the third party, or a license from TI under the patents or other intellectual property of TI.

Reproduction of significant portions of TI information in TI data books or data sheets is permissible only if reproduction is without alteration and is accompanied by all associated warranties, conditions, limitations, and notices. TI is not responsible or liable for such altered documentation. Information of third parties may be subject to additional restrictions.

Resale of TI components or services with statements different from or beyond the parameters stated by TI for that component or service voids all express and any implied warranties for the associated TI component or service and is an unfair and deceptive business practice. TI is not responsible or liable for any such statements.

Buyer acknowledges and agrees that it is solely responsible for compliance with all legal, regulatory and safety-related requirements concerning its products, and any use of TI components in its applications, notwithstanding any applications-related information or support that may be provided by TI. Buyer represents and agrees that it has all the necessary expertise to create and implement safeguards which anticipate dangerous consequences of failures, monitor failures and their consequences, lessen the likelihood of failures that might cause harm and take appropriate remedial actions. Buyer will fully indemnify TI and its representatives against any damages arising out of the use of any TI components in safety-critical applications.

In some cases, TI components may be promoted specifically to facilitate safety-related applications. With such components, TI's goal is to help enable customers to design and create their own end-product solutions that meet applicable functional safety standards and requirements. Nonetheless, such components are subject to these terms.

No TI components are authorized for use in FDA Class III (or similar life-critical medical equipment) unless authorized officers of the parties have executed a special agreement specifically governing such use.

Only those TI components which TI has specifically designated as military grade or "enhanced plastic" are designed and intended for use in military/aerospace applications or environments. Buyer acknowledges and agrees that any military or aerospace use of TI components which have **not** been so designated is solely at the Buyer's risk, and that Buyer is solely responsible for compliance with all legal and regulatory requirements in connection with such use.

TI has specifically designated certain components as meeting ISO/TS16949 requirements, mainly for automotive use. In any case of use of non-designated products, TI will not be responsible for any failure to meet ISO/TS16949.

### Products

Audio	<a href="http://www.ti.com/audio">www.ti.com/audio</a>
Amplifiers	<a href="http://amplifier.ti.com">amplifier.ti.com</a>
Data Converters	<a href="http://dataconverter.ti.com">dataconverter.ti.com</a>
DLP® Products	<a href="http://www.dlp.com">www.dlp.com</a>
DSP	<a href="http://dsp.ti.com">dsp.ti.com</a>
Clocks and Timers	<a href="http://www.ti.com/clocks">www.ti.com/clocks</a>
Interface	<a href="http://interface.ti.com">interface.ti.com</a>
Logic	<a href="http://logic.ti.com">logic.ti.com</a>
Power Mgmt	<a href="http://power.ti.com">power.ti.com</a>
Microcontrollers	<a href="http://microcontroller.ti.com">microcontroller.ti.com</a>
RFID	<a href="http://www.ti-rfid.com">www.ti-rfid.com</a>
OMAP Applications Processors	<a href="http://www.ti.com/omap">www.ti.com/omap</a>
Wireless Connectivity	<a href="http://www.ti.com/wirelessconnectivity">www.ti.com/wirelessconnectivity</a>

### Applications

Automotive and Transportation	<a href="http://www.ti.com/automotive">www.ti.com/automotive</a>
Communications and Telecom	<a href="http://www.ti.com/communications">www.ti.com/communications</a>
Computers and Peripherals	<a href="http://www.ti.com/computers">www.ti.com/computers</a>
Consumer Electronics	<a href="http://www.ti.com/consumer-apps">www.ti.com/consumer-apps</a>
Energy and Lighting	<a href="http://www.ti.com/energy">www.ti.com/energy</a>
Industrial	<a href="http://www.ti.com/industrial">www.ti.com/industrial</a>
Medical	<a href="http://www.ti.com/medical">www.ti.com/medical</a>
Security	<a href="http://www.ti.com/security">www.ti.com/security</a>
Space, Avionics and Defense	<a href="http://www.ti.com/space-avionics-defense">www.ti.com/space-avionics-defense</a>
Video and Imaging	<a href="http://www.ti.com/video">www.ti.com/video</a>

### TI E2E Community

[e2e.ti.com](http://e2e.ti.com)