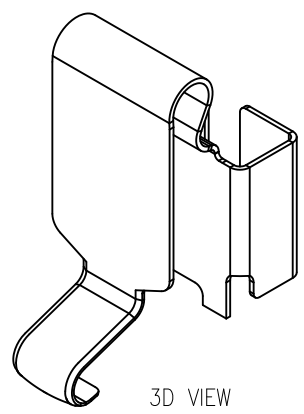
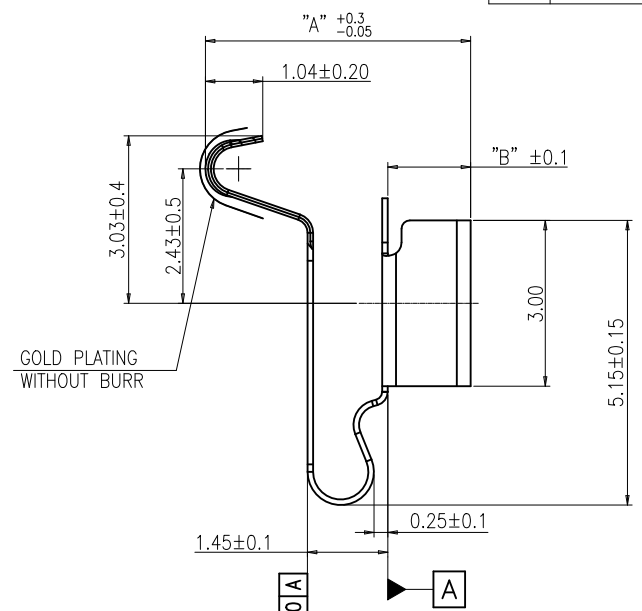
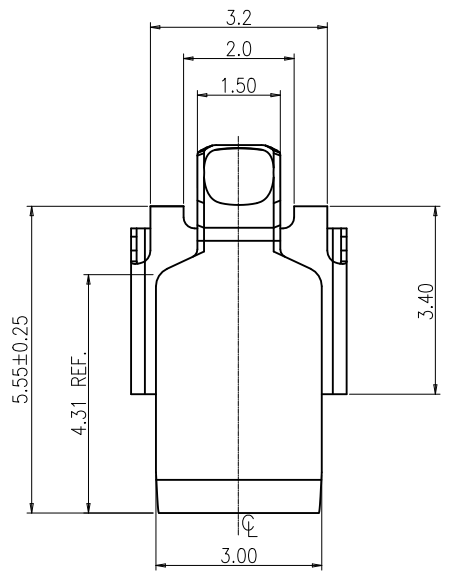


REV.	ECR/ECN No.	DESCRIPTION	DRAWN/DATE	CHECKED/DATE	APPROVED/DATE
C	ECN2020073	Added H7.5 specification	Staven 2020-09-03	Staven 2020-09-03	Biao 2020-09-03
D	ECN2022112	UPDATE CPK SYMBOLS	Abner 2022-07-20	Staven 2022-07-20	Sam 2022-07-20



- NOTES:
1. MATERIAL: C5210-EH T=0.10±0.01mm;
 2. BURR 0.03mm MAX.
 3. PLATING: Au 2u" SURFACE PLATING OVER CONTACT AREAS, Au 2u" SURFACE PLATING OVER SOLDER AREAS, Ni 40-120u" UNDER PLATING OVER ALL.
 4. ALL MATERIALS COMPLY WITH ROHS MANAGEMENT;
 5. WITH "▼" MUST BE CPK CONTROL.

TABLE:

PART NUMBER	A	B
Z016-4F7L1-11000-E000	4.80	1.50
Z02B-4F7L1-11000-E000	5.20	1.90
Z02D-4F7L1-11000-E000	7.50	4.20

A

B

C

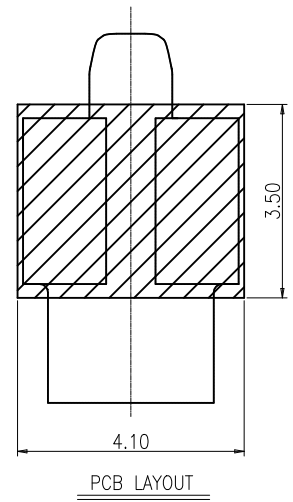
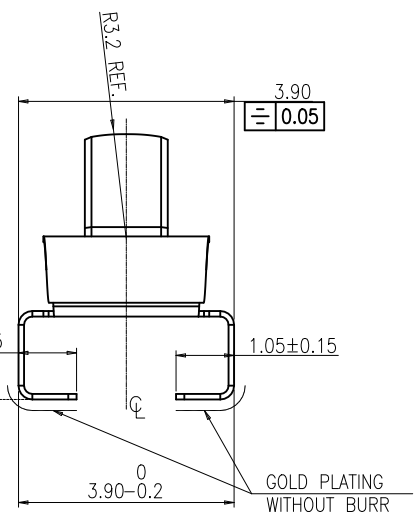
D

A

B

C

D

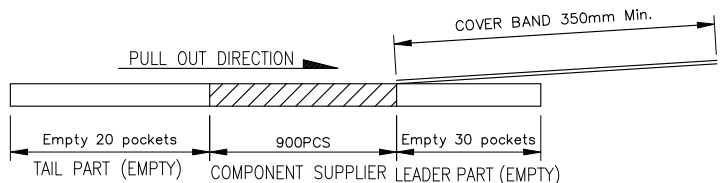
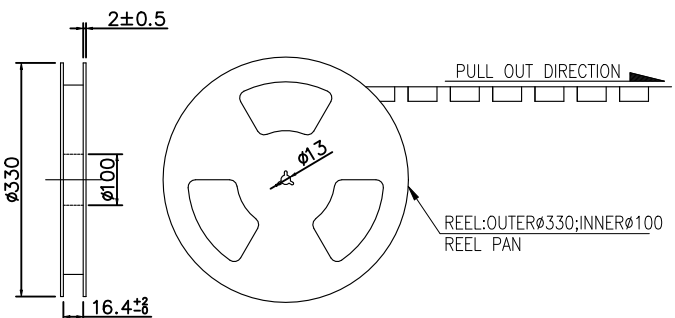
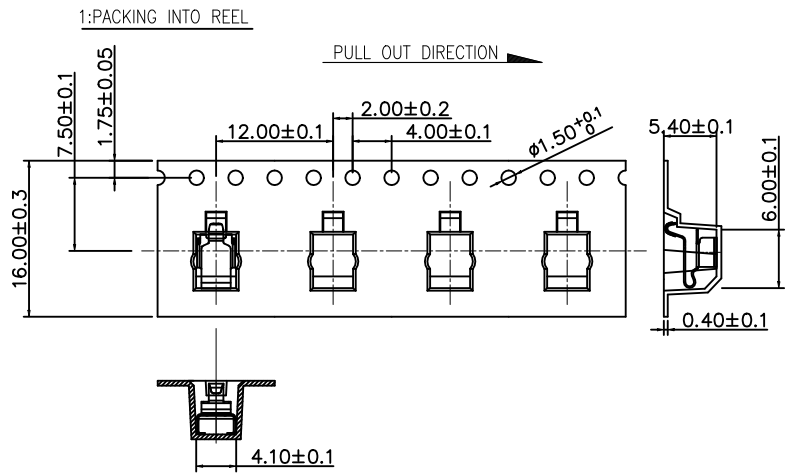


UNLESS OTHERWISE SPECIFIED TOLERANCES		ANGLE OF PROJECTION		 Amphenol Aorora Technology (Huizhou) Co.,Ltd			
X.	±0.30	X. *	± 5'				
X.X	±0.25	X.X *	± 4'	DOC TYP	Customer Drw		TITLE:
X.XX	±0.20	X.XX *	± 3'	DRAWN	Abner	H4.8/H5.2/7.5 SPRING T=0.1mm	
X.XXX	±0.15	X.XXX *	± 2'	DATE	2022-07-20	SIZE	A4
LINEAR DIMS		ANGLES DIMS		DESIGN	Abner	PART NUMBER:	Z0**-4F7L1-11000-E000
DWG NO.:	A-S0490			DATE	2022-07-20	REV.	D
MATERIAL	SEE NOTES			CHECKED	Staven	SCALE	1:1
FINISHED	SEE NOTES			DATE	2022-07-20	UNIT : mm	
				APPROVED	Sam	SHEET	1 OF 1
				DATE	2022-07-20		

This document is the property of and embodies CONFIDENTIAL and PROPRIETARY information of AOR. No part of the information shown on this document may be used in any way or disclosed to others without the written consent of AOR. © 2019 AOR

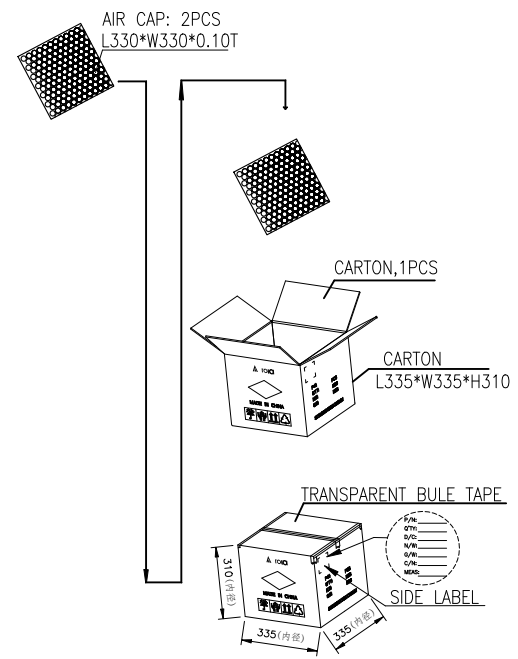
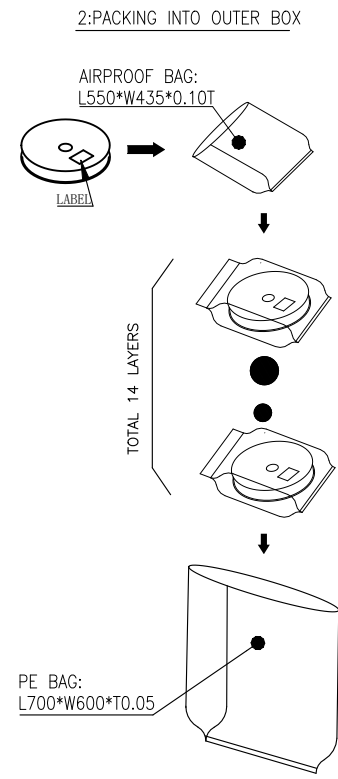


REV.	ECR/ECN No.	DESCRIPTION	DRAWN/DATE	CHECKED/DATE	APPROVED/DATE
A	ECN2020001	NEW RELEASE	Staven 2020-03-17	Staven 2020-03-17	Biao 2020-03-17



NOTES:

- MATERIAL:
 - CARRY TAPE:HIPS,T=0.50mm,COLOR:TRANSPARENT.
 - REEL:HIPS,BLUE.
 - SHIM:PE,CLEAR.
- PRIMARY PACKING:900PCS/REEL.
- SECONDARY PACKING:14 REELS/CARTON
(12600=14*900/CARTON).
- PEELING RESISTANCE: 0.2N~1.2N(20~120gf);
PEELING ANGLE: 165°~180°;
PEELING SPEED: 300mm/minutes.



UNLESS OTHERWISE SPECIFIED TOLERANCES				ANGLE OF PROJECTION		Amphenol AORORA	
X.	±0.30	X. °	± 5'			Amphenol Aorora Technology (Huizhou) Co.,Ltd	
X.X	±0.25	X.X °	± 4'				
X.XX	±0.20	X.XX °	± 3'	DOC TYPE		TITLE:	
X.XXX	±0.15	X.XXX °	± 2'	PACKING		H5.2 SPRING T=0.1mm PACKING	
LINEAR DIMS		ANGLES DIMS		DRAWN	DATE	Staven	2020-03-17
DWG NO.:		A-H0325		DESIGN	DATE	Staven	2020-03-17
MATERIAL		SEE NOTES		CHECKED	DATE	Biao	2020-03-17
FINISHED		SEE NOTES		APPROVED	DATE	Biao	2020-03-17
SIZE	PART NUMBER:		REV.				
A4	Z02B-4F7L1-11000-E000		A				
SCALE	1:1	UNIT : mm	SHEET	1 OF 1			