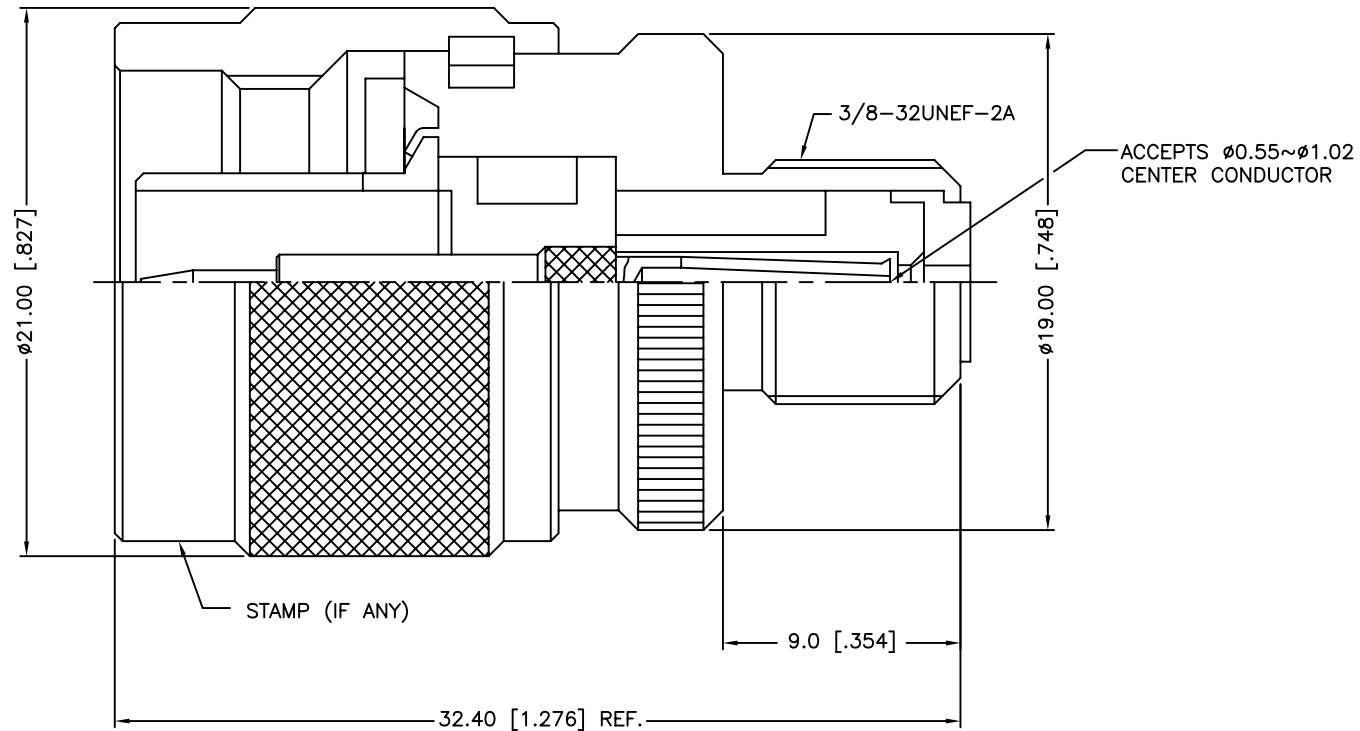


REV.	DATE	ECR NO.	DESCRIPTION
NC	06/22/11	XXXXXX	INITIAL RELEASE



9	GASKET	SILICONE	RED	1
8	INSULATOR	PTFE	NATURAL	1
7	GASKET	SILICONE	RED	1
6	RETAINER RING	SUS304	NATURAL	1
5	BODY	BRASS	NICKEL	1
4	CONTACT PIN	BERYLLIUM COPPER	GOLD	1
3	INSULATOR	PTFE	NATURAL	1
2	CONTACT BODY	BRASS	NICKEL	1
1	SHELL	BRASS	NICKEL	1
	DESCRIPTION	MATERIAL	FINISH	QTY

UNLESS OTHERWISE SPECIFIED DIMENSIONS ARE IN MILLIMETERS. DIMENSIONS IN [] ARE IN INCHES AND FOR CUSTOMER REFERENCE ONLY.

UNLESS OTHERWISE SPECIFIED TOLERANCES FOR MILLIMETERS ARE:
0.5 - 8mm ± 0.20mm
8 - 30mm ± 0.40mm
30 - 120mm ± 0.50mm

UNLESS OTHERWISE SPECIFIED TOLERANCES FOR INCHES ARE:
.020 - .315 = ± 0.007"
.315 - 1.180 = ± 0.015"
1.180 - 4.724 = ± 0.020"

DO NOT SCALE DRAWING

APPROVALS		DATE
DRAWN	M.ZHANG	06/22/11
CHECKED		
ISSUED		
SHEET	1 OF 1	
CAD FILE	C:/CONNEX/242156-75.DWG	

Amphenol Connex			
PART DESCRIPTION			
ADAPTER, N (75 Ohm) MALE TO F FEMALE			
PART NO.			
242156-75			
DWG. NO.	242156-75.DWG	REV.	NC
SIZE	A	SCALE	NA