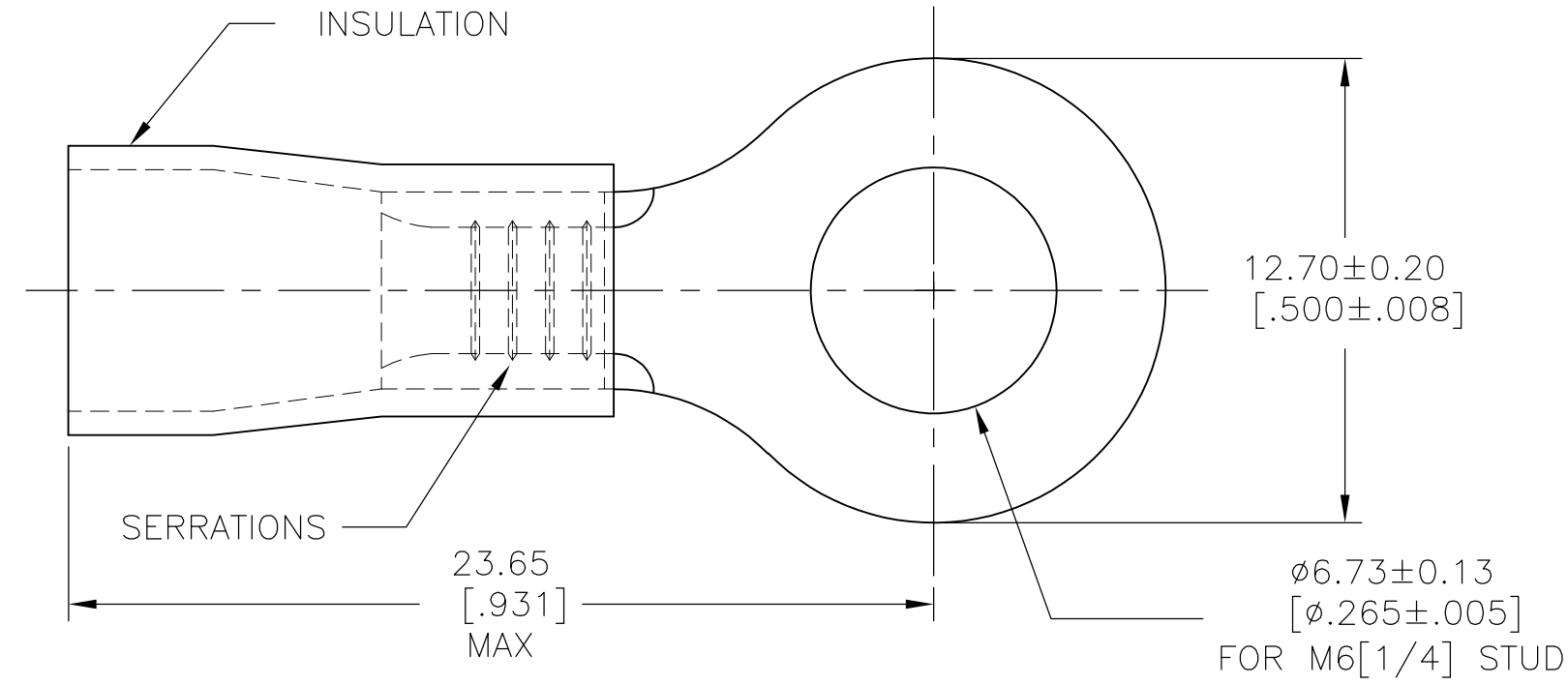
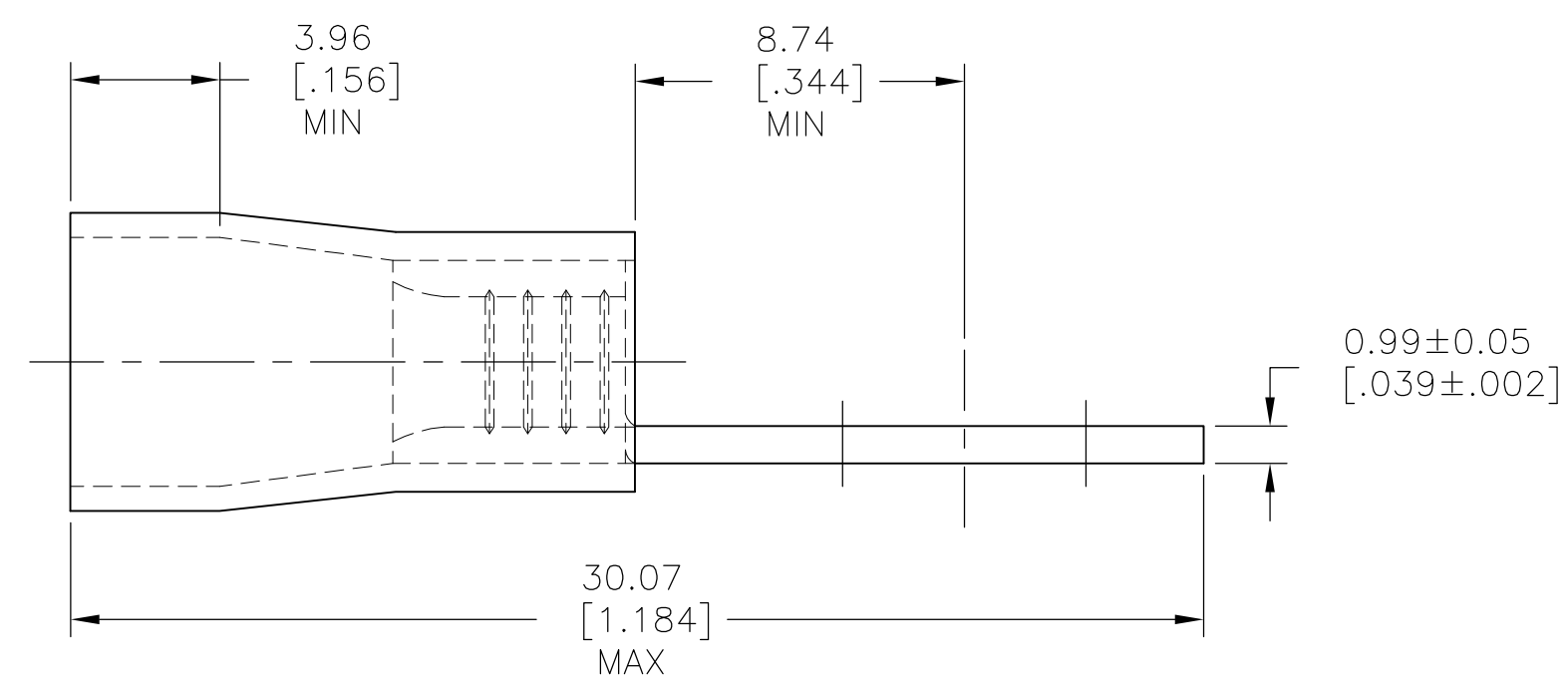


THIS DRAWING IS UNPUBLISHED. RELEASED FOR PUBLICATION  
 © COPYRIGHT - By - ALL RIGHTS RESERVED.

LOC	DIST	REVISIONS					
		P	LTR	DESCRIPTION	DATE	DWN	APVD
-	02		A1	REVISED PER ECO-11-020548	06FEB12	KH	DR



- 1 COPPER PER ASTM B152  
INSULATION: PVC, YELLOW
- 2 TIN PLATE PER ASTM B545
- 3. FOR 6.40[.252] TO 6.78[.267]  
MAX INSULATION DIAMETER.



OBSOLETE	-	165035-1 2 ON TAPE	165035-1
	500	LOOSE PIECE	165035
	QTY	PACKAGE TYPE	PART NO

THIS DRAWING IS A CONTROLLED DOCUMENT.		DWN KIRAN HOLAL 06FEB12	<b>STE</b> TE Connectivity													
DIMENSIONS: mm [INCHES]		CHK ROHDE DANIEL 06FEB12														
TOLERANCES UNLESS OTHERWISE SPECIFIED:		APVD ROHDE DANIEL 06FEB12	NAME PLASTI GRIP TERMINAL, RING TONGUE WIRE SIZE : 12-10 AWG													
<table border="0"> <tr><td>0 PLC</td><td>± -</td></tr> <tr><td>1 PLC</td><td>± -</td></tr> <tr><td>2 PLC</td><td>± -</td></tr> <tr><td>3 PLC</td><td>± -</td></tr> <tr><td>4 PLC</td><td>± -</td></tr> <tr><td>ANGLES</td><td>± -</td></tr> </table>		0 PLC	± -	1 PLC	± -	2 PLC	± -	3 PLC	± -	4 PLC	± -	ANGLES	± -	PRODUCT SPEC -	SIZE A3	
0 PLC	± -															
1 PLC	± -															
2 PLC	± -															
3 PLC	± -															
4 PLC	± -															
ANGLES	± -															
MATERIAL -1		APPLICATION SPEC -	CAGE CODE 00779	DRAWING NO C-165035												
FINISH -2		WEIGHT -	RESTRICTED TO -													
CUSTOMER DRAWING			SCALE 5:1	SHEET 1 OF 1												
			REV A1													