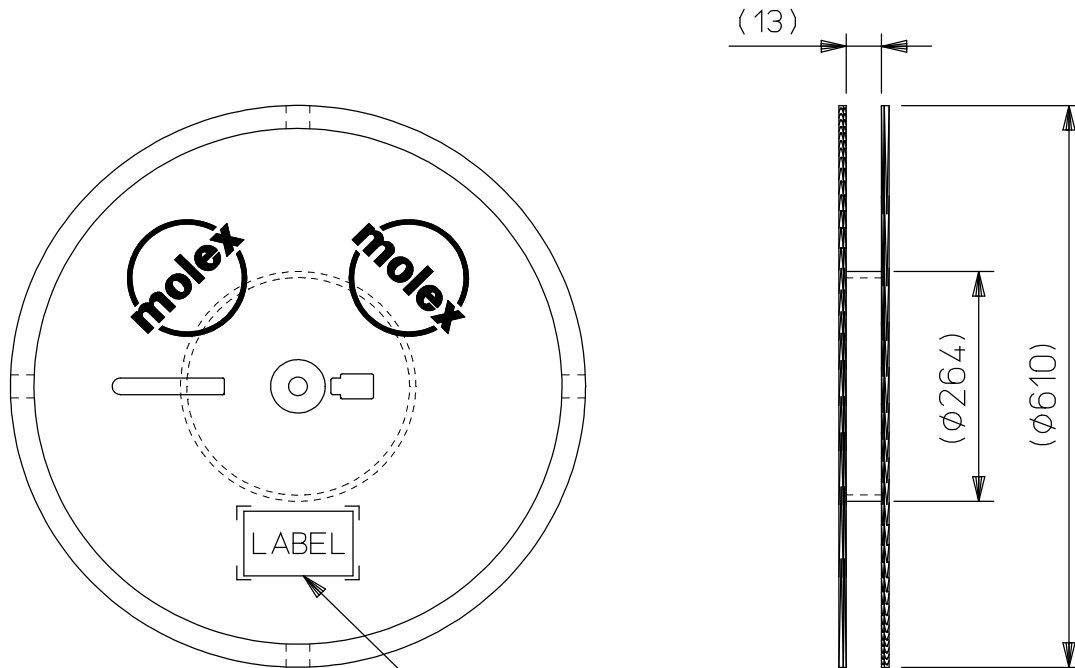


1. 製品名称 / PRODUCT NAME : 1.0 WIRE TO BOARD CONN. REC CRIMP TERMINAL  
製品番号 / PART NUMBER : 5 0 3 7 6 5 - 0 0 9 8

2. 標準梱包数 / STANDARD PACKAGING QUANTITY.

1 リールの巻き数 QTY. PER REEL	カートン中のリール数 NUMBER OF REELS	1 カートンの製品数 QUANTITY IN ONE CARTON
40,000	4	160,000

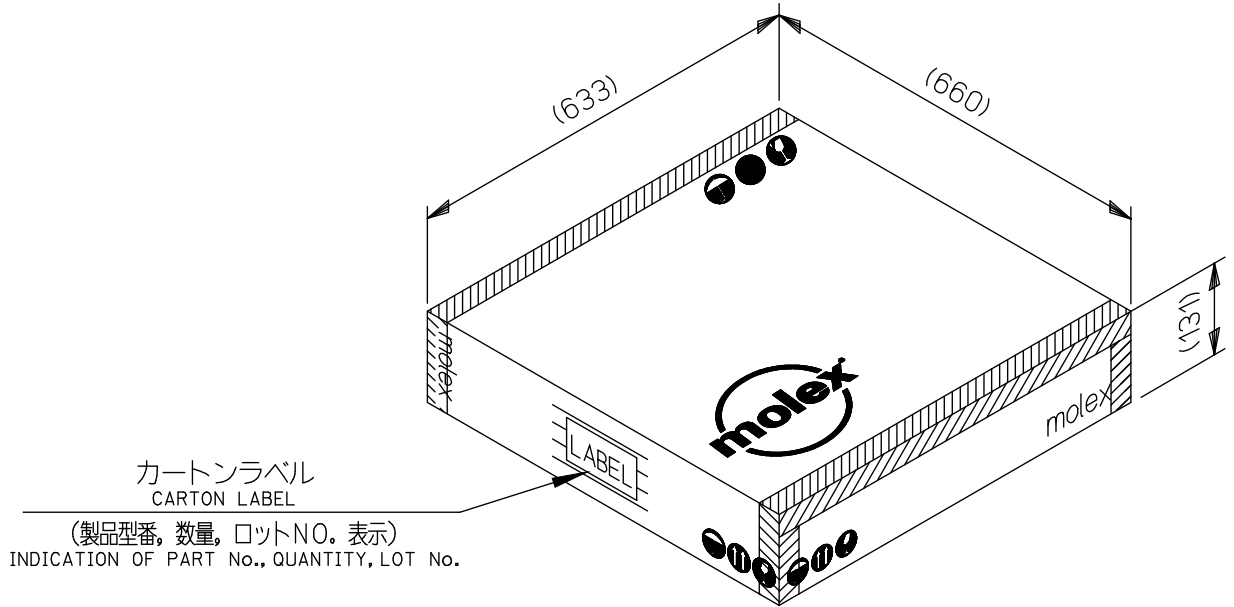
3. リール外形参考寸法 / REEL OUTER DIMENSIONS (REFERENCE PURPOSE ONLY)



現品票  
PART IDENTIFICATION LABEL  
(製品型番, 数量, ロットNO. 表示)  
INDICATION OF PART No., QUANTITY, LOT No.

REV.	A						
SHEET	1~2						
REVISE ON PC ONLY				TITLE:			
A	RELEASED J2014-0422 2013/09/05 Y.TOKUZONO			5 0 3 7 6 5 梱包仕様書 SALES PACKAGING SPEC. FOR 503765			
	REV. DESCRIPTION			THIS DOCUMENT CONTAINS INFORMATION THAT IS PROPRIETARY TO MOLEX INC. AND SHOULD NOT BE USED WITHOUT WRITTEN PERMISSION			
DESIGN CONTROL J		STATUS		WRITTEN BY: Y.TOKUZONO	CHECKED BY: T.HARUYAMA	APPROVED BY: H.HIRATA	DATE: YR/MO/DAY 2013/09/05
DOCUMENT NUMBER SPK-503765-001				FILE NAME			SHEET 1 OF 2

4. カートン外形参考寸法 / CARTON OUTER DIMENSIONS (REFERENCE PURPOSE ONLY)      単位 / UNIT: mm



REVISE ON PC ONLY		TITLE:	
<b>A</b>	SEE SHEET 1 OF 2	5 0 3 7 6 5 梱包仕様書 SALES PACKAGING SPEC. FOR 503765	
	REV.      DESCRIPTION	THIS DOCUMENT CONTAINS INFORMATION THAT IS PROPRIETARY TO MOLEX INC. AND SHOULD NOT BE USED WITHOUT WRITTEN PERMISSION	
DOCUMENT NUMBER <b>SPK-503765-001</b>		FILE NAME	SHEET 2 OF 2
EN-037(2013-04 rev.1)			