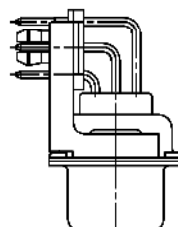
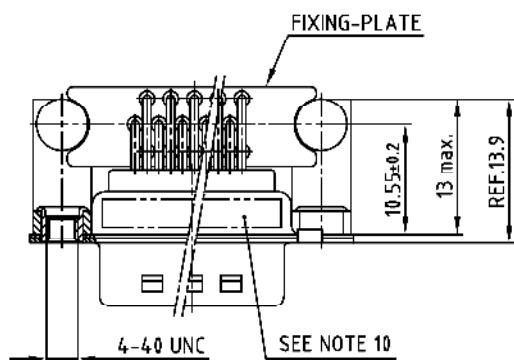
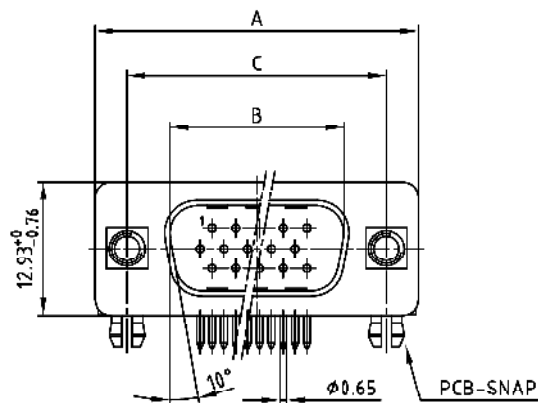
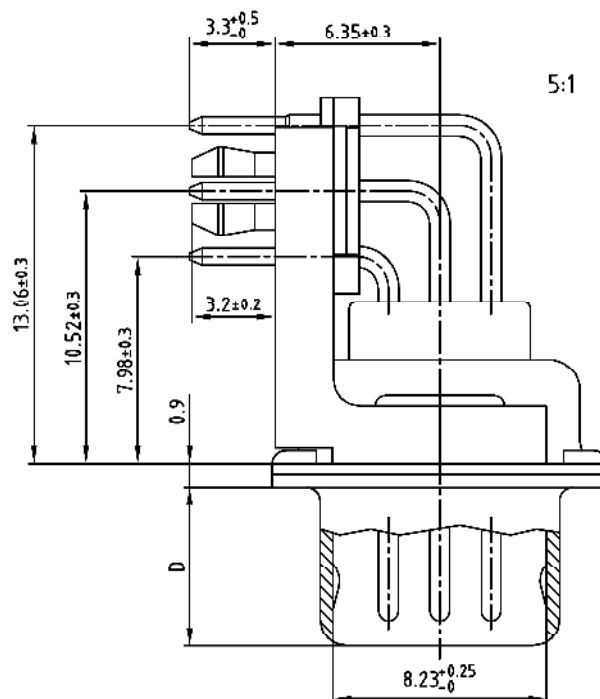


used for: D-SUB HD

POS.	A -0.76	B +0.25	C	D -0.3	Part NO.
26	39.52	25.12	33.30 $\pm 0.15$	6.12	163A17779X
44	53.42	38.84	47.04 $\pm 0.13$	5.99	163A17789X
62	69.70	55.30	63.50 $\pm 0.15$	5.99	163A17799X



NOTES:

- METALSHELLS: STEEL; min. 320pin TIN
- INSULATORS: PBT GF UL 94 V-0, BLACK
- CONTACTS: COPPER ALLOY  
PLATING: 8pin HARD GOLD over min. 50pin NICKEL
- METAL BRACKET: DIE-CASTING; min. 320pin TIN over 80pin NICKEL
- THREADED INSERT: COPPER ALLOY; min. 200pin TIN over 80pin NICKEL
- PCB-SNAP: COPPER ALLOY; min. 200pin TIN over 80pin NICKEL  
PCB-HOLE:  $\phi 3.1 \pm 0.1$ ; PCB THICKNESS 1.6mm
- FIXING-PLATE: PBT GF UL 94 V-0, BLACK
- P.C.B. HOLE DRILLINGS ON SHEET 2
- MAXIMUM TORQUE VALUE FOR THREAD: 6 in.LB
- CONNECTOR IS PART MARKED: PART-NO. CONEC ABC

RoHS compliant

APPROVAL * FREIGABE * DEBLOCAGE * AUTORIZACION * APPROVAL	
CUSTOMER APPROVAL DATE:	
NAME:	TITLE:
COMPANY NAME:	
APPROVAL * FREIGABE * DEBLOCAGE * AUTORIZACION * APPROVAL	

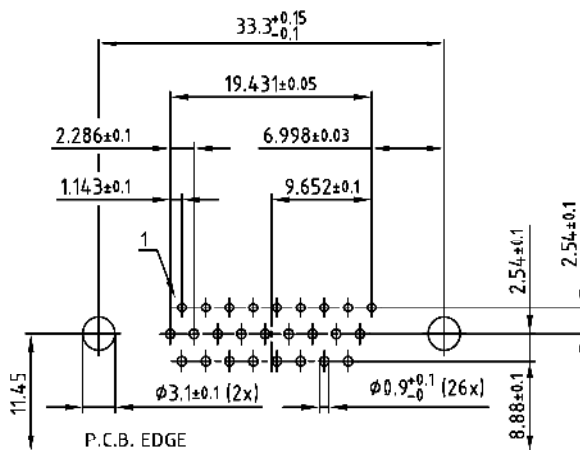
THIS DRAWING MAY NOT BE COPIED OR REPRODUCED IN ANY WAY, AND MAY NOT BE PASSED ON TO A THIRD PARTY, WITHOUT WRITTEN PERMISSION. OWNERSHIP AND COPYRIGHT OF CONEC GmbH. DO NOT ALTER CAD DRAWING BY HAND

rev.	description	date	name
a	Original		

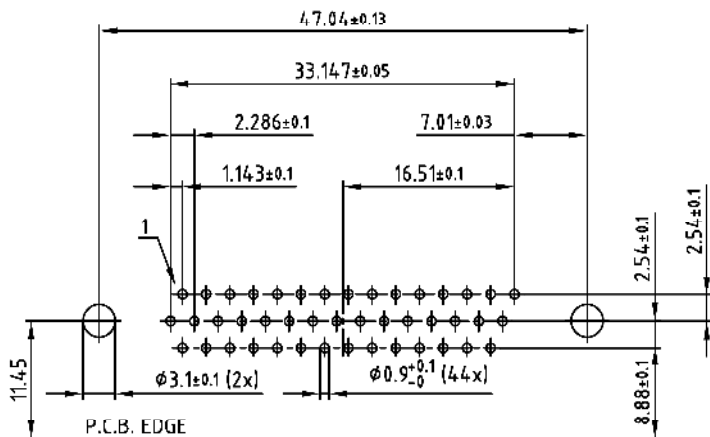


tolerance	dim. in mm	scale:	2:1 (5:1)
2006	date	material:	SEE NOTES
drawn	27.01.	name	Lehmenkühler
appd.	27.01.	name	Mickenbecker
norm	DIN 41652		
4-old			
title:		D-SUB HD MALE 90° 26-62pos. 0.350inch threaded insert, metal bracket, fixing-plate, clip	
dwg no:		AutoCAD 2004	DIN-A
part no:		16K1A1722	3
SEE TABLE		sh:1/2	

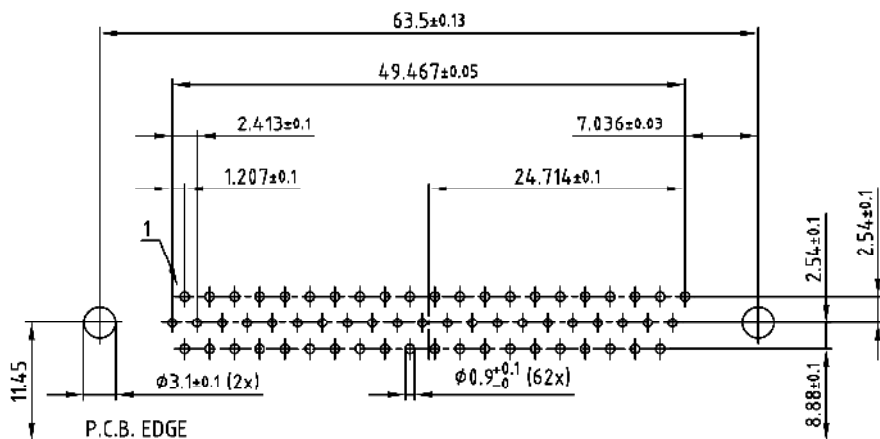
used for: D-SUB HD



26pos.



44pos.



62pos.

APPROVAL * FREIGABE * DEBLOCAGE * AUTORIZACION * APPROVAL	
CUSTOMER APPROVAL DATE:	
NAME:	TITLE:
COMPANY NAME:	
APPROVAL * FREIGABE * DEBLOCAGE * AUTORIZACION * APPROVAL	

THIS DRAWING MAY NOT BE COPIED OR REPRODUCED IN ANY WAY, AND MAY NOT BE PASSED ON TO A THIRD PARTY, WITHOUT WRITTEN PERMISSION. OWNERSHIP AND COPYRIGHT OF CONEC GmbH DO NOT ALTER CAD DRAWING BY HAND

rev.	description	date	name
a	Original		

tolerance	dim. in mm
2006	date
drawn	27.01.
appd.	27.01.
norm	
4-old	

scale:	2:1
material:	SEE SHEET 1
title:	P.C.B. HOLE DRILLINGS
	D-SUB HD MALE 90° 26-62pos. 0.350inch
	threaded insert, metal bracket, fixing-plate, clip
dwg no:	AutoCAD 2004
	DIN-A
	3
	sh:2/2
part no:	SEE SHEET 1

