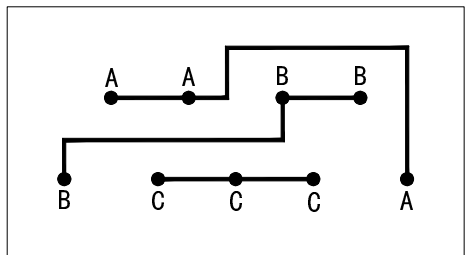
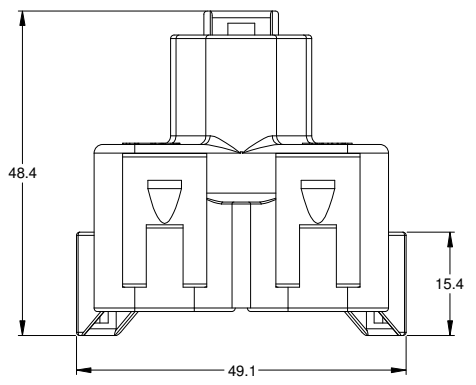
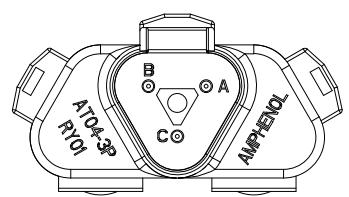
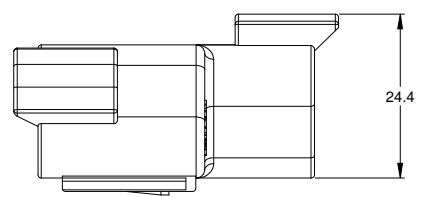
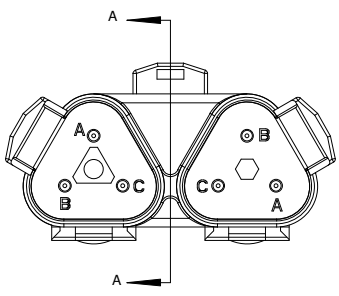
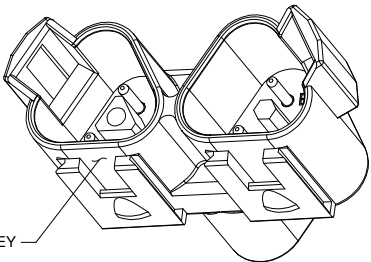


REVISIONS					
REV	ECO	DESCRIPTION	DATE	BY	APPR
A3	-	RELEASE NEW DWG FORMAT	26DEC13	ORION	TOMMY
A4	-	UPDATED VIEWS	15DEC15	ORION	TOMMY



WIRING DIAGRAM



STANDARD MOLDED COLOR IS GREY

NOTES: UNLESS OTHERWISE SPECIFIED

1. MATERIAL:  
HOUSING: THERMOPLASTIC, COLOR: GRAY  
CONTACT: COPPER ALLOY, GOLD PLATED

2. MODIFICATIONS: Y-TYPE

3. SPECIFICATIONS:  
3.1 CURRENT RATING: 13 AMPS  
3.2 OPERATING TEMPERATURE: -55°C TO +125°C  
3.3 DIELECTRIC WITHSTANDING VOLTAGE: LESS THAN 2 MILLIAMPS CURRENT LEAKAGE @ 1500 VOLTS AC.  
3.4 INSULATION RESISTANCE: 1000 MEGOHMS MIN @ 25°C.  
3.5 MOISTURE RESISTANCE: IP67 ( MATED CONDITION )  
3.6 MATING CYCLE DURABILITY: 100 CYCLES  
3.7 RoHS COMPLIANT

4. MATING PART: AT06-3S\* RECEPTACLE  
(\* = MODIFICATIONS AND COLORS)

5. ALL DIMENSIONS ARE FOR REFERENCE USE ONLY.

6 CONTACT SIZE : 16

AT04-3P-RY01		DESCRIPTION		ITEM	
PART NUMBER					
QUANTITY	MATERIALS LIST				
UNLESS OTHERWISE SPECIFIED 1) All dimensions are in metric(mm). 2) Tolerances are as follows: 1 PL DEC ±0.30 Fractions ±1/64 2 PL DEC ±0.15 Angles ±1° 3) Note reference =		SIGNATURES	DATE	<h1>Amphenol</h1> <p>Sine Systems - www.amphenol-sine.com 44724 Morley Drive Clinton Township, MI 48036</p>	
		DRAWN: ORION/LI	26DEC13		
		CHECKED:			
		ENGINEER:			
MATERIAL SPECIFICATIONS:		APPROVAL:		<p>RECEPTACLE, 3 PIN,Y-TYPE BLACK,AT SERIES</p>	
PROCESS SPECIFICATIONS:		CUSTOMER:			
NEXT ASSY:		THIS DRAWING IS SUPPLIED FOR INFORMATION ONLY. DESIGN FEATURES, SPECIFICATIONS AND PERFORMANCE DATA SHOWN HEREON ARE THE PROPERTY OF THE AMPHENOL CORPORATION. NO RIGHTS OF REPRODUCTION ARE IMPLIED. ALL DIMENSIONS ARE SUBJECT TO NORMAL MANUFACTURING VARIATIONS.			
		SIZE	TYPE	DWG NO:	REVISION
		B	C-	AT04-3P-RY01	A4
		SCALE:	NONE	SHEET 1 OF 1	

TITLE: RECEPTACLE, 3 PIN,Y-TYPE,BLACK,AT SERIES  
DWG NO.: AT04-3P-RY01  
REV: A4  
SH: 1  
OF: 1