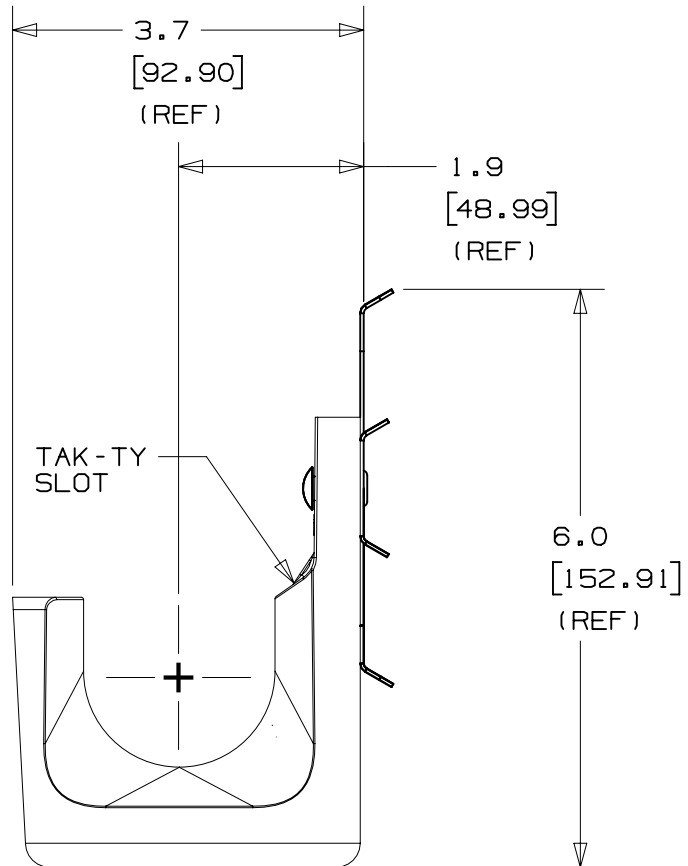
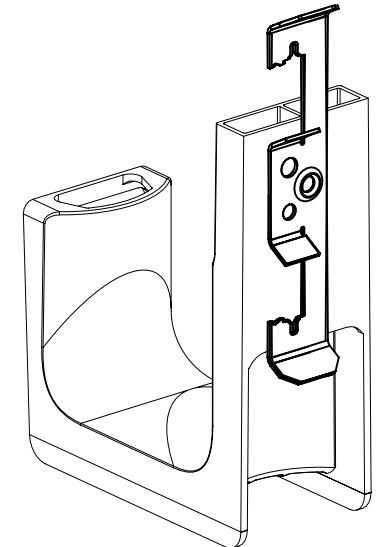
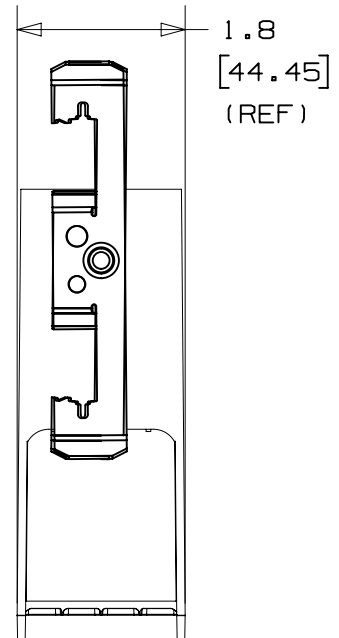


THIS COPY IS PROVIDED ON A RESTRICTED BASIS AND IS NOT TO BE USED IN ANY WAY DETRIMENTAL TO THE INTERESTS OF PANDUIT CORP.



PANDUIT PART NO.	APPLICATION OPTIONS	WEIGHT lbs 10 (g) pcs
JP2DW- ----	#12 WIRE, UP TO 3/8" DIAMETER THREADED ROD, OR 1/8"-3/8" FLANGES	1.58 (720.0)



- NOTES:
- SEE CURRENT PRICE SHEET FOR PART NUMBER SUFFIX DESIGNATION FOR PACKAGE SIZE AND PRODUCT COLOR.
  - HOOK MATERIAL: NYLON 6/6  
RIVET MATERIAL: ALUMINUM  
CLIP MATERIAL: SPRING STEEL
  - PRODUCT IS DESIGNED TO SUPPORT A MAXIMUM OF 2" (50.8) DIAMETER BUNDLE. MAXIMUM RECOMMENDED STATIC LOAD: 10 lbs.
  - PRODUCT INCORPORATES FEATURES ALLOWING USER TO RETAIN CABLE BUNDLES IN J-PRO J-HOOK WITH TAK-TY CABLE TIES UP TO 3/4" WIDE.
  - PRODUCT MARKINGS:  
cULus logo and statement:  
"SUITABLE FOR USE IN AIR HANDLING SPACES IN ACCORDANCE WITH SECTION 300-22 (C) & (D) OF THE NATIONAL ELECTRIC CODE."  
ULC logo and statement:  
"IN ACCORDANCE WITH CAN/ULC S-102.2 IN SINGLE UNITS OR PAIRS, 4 ft (1220mm) MIN. SPACING, FSR=0, SDC=20."

TITLE JP2DW- ---- J-PRO J-HOOK DROP WIRE AND THREADED ROD CLIP CUSTOMER DRAWING		<b>PANDUIT</b>
ITEM REVISION NAME 10K016BC/02		
DATASET FILE NAME 10K016BC_DC_GB2888FI/02A		MATERIAL: SEE NOTE 2
UNLESS OTHERWISE SPECIFIED, DIMENSIONAL TOLERANCES ARE: IN [mm] .x ± .1 [ 2.54 ]      .xxx ± .005 [ .127 ] .xx ± .01 [ .25 ]      ANGLES ± 5 °		DRAWING NUMBER: GB2888F I
THIRD ANGLE PROJECTION		
DRAWN BY JAD	DATE 4/7/04	CHK KLN
SCALE NONE		SIZE A
SHT 1 OF 1		

02A	5/27/14	PMNG	DJW	KLN	ROTATED DROPWIRE TO CORRECT POSITION, UPDATED BORDER	GAECN02007
01A	10/26/10	APW	DJW		ROTATED DROPWIRE TO CORRECT POSITION ADDED PRODUCT NUMBER	GB2888F I
2	4/7/05	JAD			COMPLETELY REVISED, RE-RELEASE WITH NEW GEOMETRY	GB2888F I
REV	DATE	BY	CHK	APR	DESCRIPTION	ECN

D10100DA/16