

**Ratings**

Temperature: -40~70 °C  
Voltage: 150 V

**Conductor**

Gauge: 18 AWG 0.23 mm<sup>2</sup>  
Material: tinned copper strands  
Strand size:  $\varnothing 0.127 \times 65$   
Resistance at 20 °C: 23.2  $\Omega$  /km max

**Insulator**

Material: HDPE  
Color: orange, green, blue, yellow, white, black, red  
Diameter:  $\varnothing 1.65 \pm 0.10$  mm  
Nominal thickness: 0.23 mm  
Resistance at 20 °C: 100 M $\Omega$  /km min

**Shield**

Type: spiral  
Material: tinned copper strands  
Stranding:  $\varnothing 0.08$  mm  
Coverage: 90 % min

**Outer jacket**

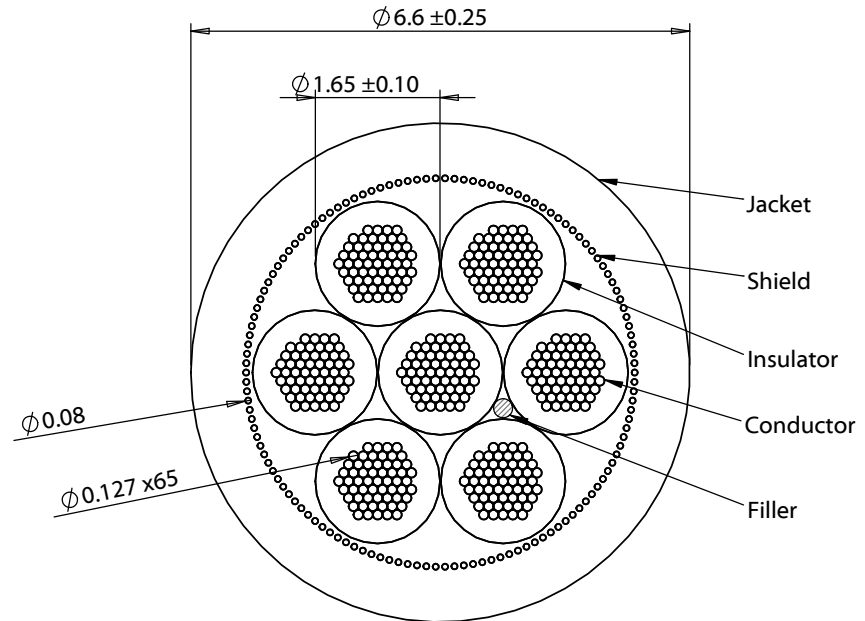
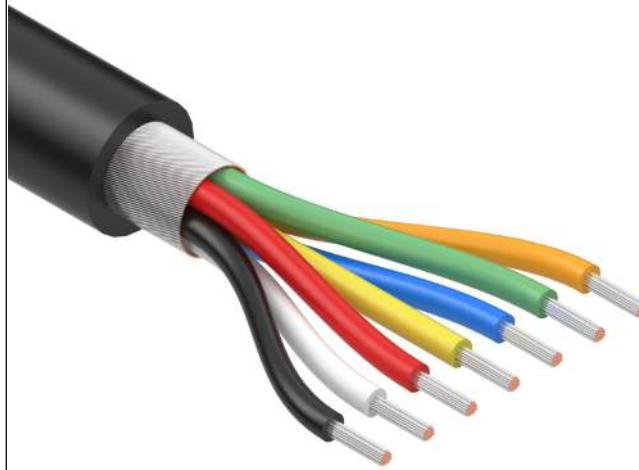
Material: TPU  
Color: black  
Nominal thickness: 0.74 mm  
Diameter:  $\varnothing 6.6 \pm 0.25$  mm

**Filler**

Material: aramid fiber

**Tests**


Tensile strength: 35.7 kgf min  
Dielectric test: 1500 V dc for 1 minute without breakdown  
Bend test at 200 g,  $\pm 90^\circ$ , 30 cycles /min: 15,000 cycle minimum



Revision:	Date:	Description:
A	3/23/2021	Initial release

Prepared: <b>AW</b> <small>Digitally signed by AW Date: 2021.03.23 16:54:35 -07'00'</small>
Verified: <b>AG</b> <small>Digitally signed by AG Date: 2021.03.25 13:49:31 -07'00'</small>
Dimensions are in millimeters. Tolerances: X: $\pm 0.5$ mm X.X: $\pm 0.3$ mm X.XX: $\pm 0.05$ mm

Notes: RoHS compliant Jacket meets ISO 10993 Biological Compatibility Phthalate and halogen free Function test: no open, no short, no intermittent
Description: Wire, 7C TS, 18 AWG, 150V, 70C, 6.6 mm, shielded, TPU, 75A, WBL

<b>TENSILITY</b>	
<small>tel 1.541.323.3228 800 877.670.7118 fax 1.541.323.4202 web tensility.com</small>	
Size: A	Part number: <b>30-01873</b>
Scale: 10:1	
Sheet 1 of 1	