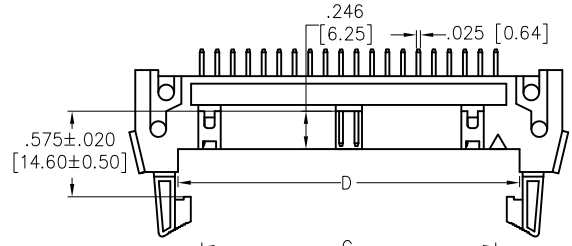
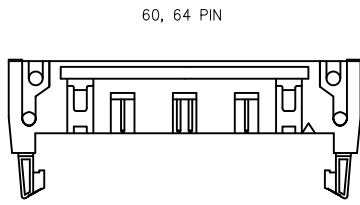


APPROVED: _____
 DATE: _____ TITLE: _____

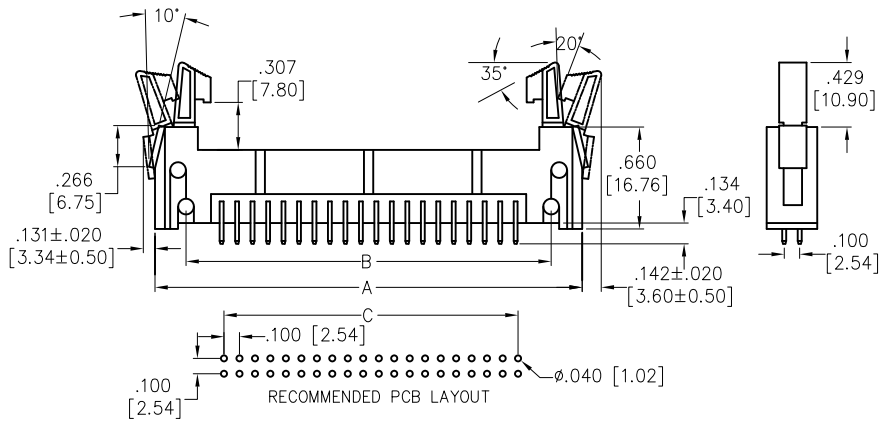
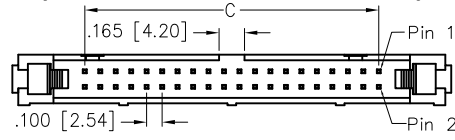
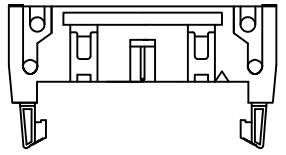
Rev	AWO #	Description	Date	Appr
-		RELEASED	3/25/10	
A		ADDED DRAWING	12/25/18	AY/RC1
B		ADDED DRAWING	12/23/21	JJ/JL1

D
C
B
A

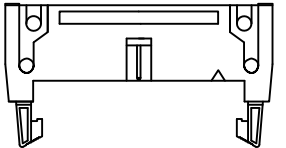
D
C
B
A



20, 24, 26, 30, 34, 40, 50 PIN



10, 14, 16 PIN



SPECIFICATIONS:

Material:
 Insulator: PBT, glass reinforced, rated UL 94V-0, Color: Black
 Contacts: Brass
Plating:
 Gold flash over Nickel underplate overall
Electrical:
 Current rating: 1 Amp
 Contact Resistance: 10 mohm max
 Insulation resistance: 1000 Mohm min
 Dielectric withstanding voltage: 500 VAC for 1 minute
 Temperature Rating:
 Operating temperature: -55°C to +105°C
Environmental:
 Lead free, RoHS compliant.



Positions: 10, 14, 16, 20, 24, 26, 30, 34, 40, 50, 60, 64
 A = .100 [2.54] x No. of Spaces + .855 [21.71]
 B = .100 [2.54] x No. of Spaces + .454 [11.54]
 C = .100 [2.54] x No. of Spaces
 D = .100 [2.54] x No. of Spaces + .305 [7.74]

UNLESS OTHERWISE SPECIFIED ALL DIMENSIONS ARE INCHES [MM]. TOLERANCES: EXCEPT AS NOTED

INCHES		HOLES	
.x	± .10	∅x	±.10
.xx	± .020	∅xx	±.015
.xxx	± .015	∅xxx	±.010

ADAM TECH 909 Rahway Avenue,
 Union, NJ 07083
 Phone: 908-687-5000
 Fax: 908-687-5710

DRAWN	DY	3/25/10
CHECKED		
APPROVED		

TITLE
**LATCH BOX HEADER, VERTICAL TYPE
 LONG EJECTOR LATCHES**

THIS DRAWING CONTAINS INFORMATION THAT IS PROPRIETARY AND SHOULD NOT BE USED WITHOUT PRIOR WRITTEN PERMISSION FROM ADAM TECH

SIZE X	PART NO. MHR-XX-VUAL	REV. B
REF: S00059T	SCALE: NTS	SHEET 1 OF 1

6 5 4 3 2 1

6 5 4 3 2 1