

RoHS Recast Compliant **SATA-Disk Module 5A**

SDM5A 7P/180D Low Profile Product Specifications

May 3, 2022

Version 1.6



Apacer Technology Inc.

1F, No.32, Zhongcheng Rd., Tucheng Dist., New Taipei City, Taiwan, R.O.C

Tel: +886-2-2267-8000 Fax: +886-2-2267-2261

www.apacer.com

Specifications Overview:

- **Standard Serial ATA 3.1 Revision**
 - SATA 6 Gb/s interface
 - ATA-8 command set
 - Backward compatible with SATA 1.5/3 Gb/s
- **Capacity**
 - Standard Type: 1, 2, 4, 8, 16 GB
 - High-speed Type: 8, 16, 32 GB (available in cable-less type only)
- **Performance¹**
 - Burst read/write: 600 MB/sec
 - Standard Type:
 - Sequential read: up to 44 MB/sec
 - Sequential write: up to 40 MB/sec
 - High-speed Type:
 - Sequential read: up to 435 MB/sec
 - Sequential write: up to 215 MB/sec
- **Flash Management**
 - Built-in hardware ECC
 - Global Wear Leveling
 - Flash bad-block management
 - Flash Translation Layer: Page Mapping
 - S.M.A.R.T.
 - Power Failure Management
 - ATA Secure Erase
 - TRIM
- **NAND Flash Type: SLC**
- **MTBF: >2,000,000 hours**
- **Temperature Range**
 - Operating:
 - Standard: 0°C to 70°C
 - Wide: -40°C to 85°C
 - Storage: -40°C to 100°C
- **Supply Voltage**
 - 5.0 V ± 5%
- **Power Consumption¹**
 - Standard Type:
 - Active mode: 165 mA
 - Idle mode: 65 mA
 - High-speed Type:
 - Active mode: 260 mA
 - Idle mode: 60 mA
- **Connector Type**
 - 7-pin SATA signal connector
 - Power segment options: 2 metal pins on both sides of the SATA connector or power cable connector
- **Power Supply Option**
 - Cable type: VCC from power cable
 - Cable-less type: VCC from the 2 metal pins on both sides of the SATA connector
- **Form Factor**
 - SATA Disk Module: 7-pin/180 degree
 - Dimensions (without housing):
 - 30.00x27.80x8.20, unit: mm²
 - 30.00x27.80x7.40, unit: mm³
 - Dimensions (with housing):
 - 32.50x29.40x8.53, unit: mm
- **RoHS Recast Compliant**
 - Complies with 2011/65/EU Standard

Notes:

1. Varies from capacities. The values for performances and power consumptions presented are typical and may vary depending on flash configurations or platform settings. The term idle refers to the standby state of the device.
2. Standard type
3. High-speed type

Table of Contents

| | |
|---|-----------|
| 1. General Description | 3 |
| 2. Pin Assignments..... | 3 |
| 3. Product Specifications..... | 5 |
| 3.1 Capacity..... | 5 |
| 3.2 Performance | 5 |
| 3.3 Environmental Specifications | 6 |
| 3.4 Mean Time Between Failures (MTBF) | 6 |
| 3.5 Certification and Compliance..... | 6 |
| 4. Flash Management | 7 |
| 4.1 Error Correction/Detection..... | 7 |
| 4.2 Bad Block Management | 7 |
| 4.3 Global Wear Leveling | 7 |
| 4.4 Flash Translation Layer – Page Mapping..... | 7 |
| 4.5 ATA Secure Erase..... | 7 |
| 4.6 Power Failure Management | 8 |
| 4.7 TRIM..... | 8 |
| 4.8 SATA Power Management..... | 8 |
| 5. Software Interface | 9 |
| 5.1 Command Set..... | 9 |
| 5.2 S.M.A.R.T. | 9 |
| 6. Electrical Specifications..... | 11 |
| 6.1 Operating Voltage..... | 11 |
| 6.2 Power Consumption | 11 |
| 7. Mechanical Specifications..... | 12 |
| 7.1 Standard | 12 |
| 7.2 High Speed | 14 |
| 8. Product Ordering Information..... | 16 |
| 8.1 Product Code Designations..... | 16 |
| 8.2 Valid Combinations..... | 17 |

1. General Description

Apacer's SDM5A (SATA Disk Module 5A) is our next generation disk-on-module (DOM) series that offers elevated speed boost and higher error correction capabilities. Built with SATA 6 Gb/s interface, SDM5A delivers higher performance in data transfer than its previous SDM selections, reaching up to 435 MB/s in read and 215 MB/s in write.

With its SATA interface compliance and compact size, this high-speed disk module defines an ideal balance of performance, capacities, reliability and cost. SDM5A comes in moderate capacities that are suitable to boot industrial applications and light operating systems for specific operations, while with some extra memory space for data storage. The architectural nature of SATA disk module provides higher resistance to external environmental influences and better flexibility for motherboard space.

Regarding data reliability, SDM5A is built in with powerful ECC engine that can correct up to 40 bits per 1KB data. In addition, the controller unit of this DOM device supports wear-leveling, SMART and power failure management for data integrity. With its trustable reliability, performance and cost effectiveness, Apacer's SDM5A is definitely the ideal storage or cache solution for embedded and industrial computers, servers and thin clients.

2. Pin Assignments

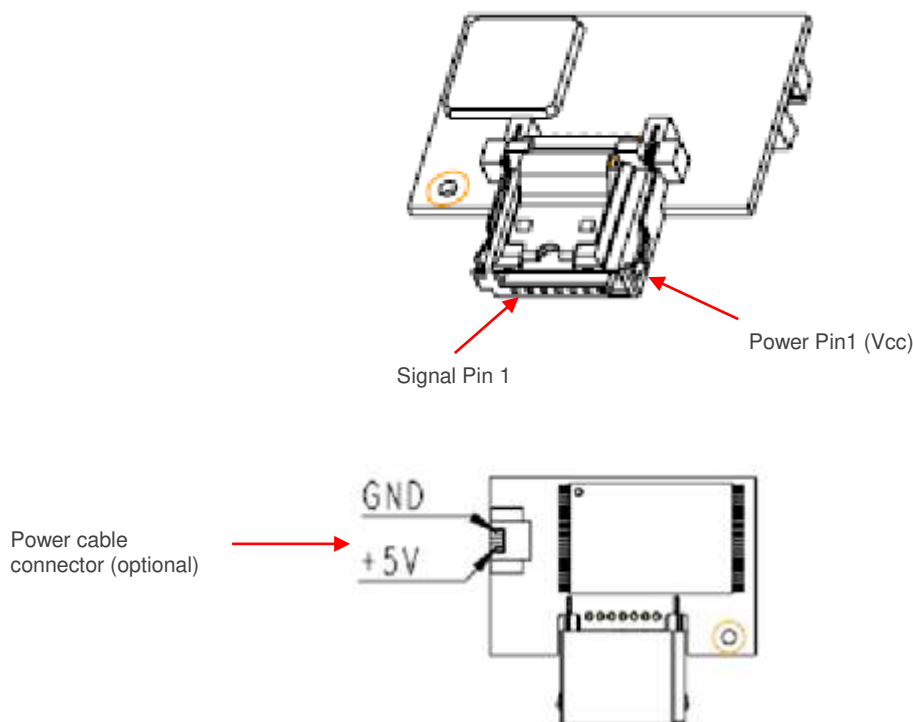


Figure 2-1 Pin Assignments – Without Housing

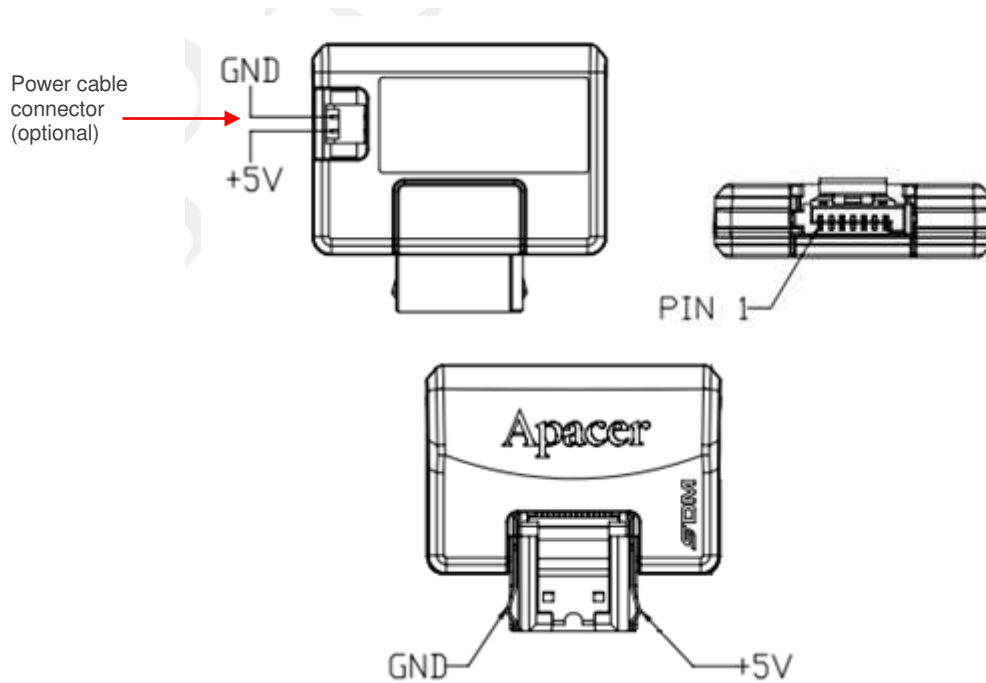


Figure 2-2 Pin Assignments – With Housing

Table 2-1 Signal Segment

| Pin | Type | Description |
|-----|------|--------------------------------|
| S1 | GND | |
| S2 | RxP | + Differential Receive Signal |
| S3 | RxN | - Differential Receive Signal |
| S4 | GND | |
| S5 | TxN | - Differential Transmit Signal |
| S6 | TxP | + Differential Transmit Signal |
| S7 | GND | |

Table 2-2 Power Segment

| Pin | Signal/Description |
|-----|--------------------|
| P1 | VCC (5V) |
| P2 | GND |

3. Product Specifications

3.1 Capacity

Capacity specifications of SDM5A are available as shown in Table 3-1. It lists the specific capacity and the default numbers of heads, sectors and cylinders for each product line.

Table 3-1 Capacity Specifications

| Capacity | Total bytes | Cylinders | Heads | Sectors | Total LBA |
|----------|----------------|-----------|-------|---------|------------|
| 1 GB | 1,011,032,064 | 1,959 | 16 | 63 | 1,974,672 |
| 2 GB | 2,011,226,112 | 3,897 | 16 | 63 | 3,928,176 |
| 4 GB | 4,011,614,208 | 7,773 | 16 | 63 | 7,835,184 |
| 8 GB | 8,012,390,400 | 15,525 | 16 | 63 | 15,649,200 |
| 16 GB | 16,013,942,784 | 16,383 | 16 | 63 | 31,277,232 |
| 32 GB | 32,017,047,552 | 16,383 | 16 | 63 | 62,533,296 |

Notes:

- Display of total bytes varies from operating systems.
- 1 GB = 1,000,000,000 bytes; 1 sector = 512 bytes.
- LBA count addressed in the table above indicates total user storage capacity and will remain the same throughout the lifespan of the device. However, the total usable capacity of the SSD is most likely to be less than the total physical capacity because a small portion of the capacity is reserved for device maintenance usages.

3.2 Performance

Performance of SDM5A is listed below in Table 3-2 and 3-3.

Table 3-2 Performance (Standard)

| Capacity | 1 GB | 2 GB | 4 GB | 8 GB | 16 GB |
|-------------------------|------|------|------|------|-------|
| Performance | | | | | |
| Sequential Read (MB/s) | 39 | 43 | 43 | 44 | 44 |
| Sequential Write (MB/s) | 11 | 14 | 29 | 40 | 40 |

Table 3-3 Performance (High-speed)

| Capacity | 8 GB | 16 GB | 32 GB |
|-------------------------|------|-------|-------|
| Performance | | | |
| Sequential Read (MB/s) | 365 | 435 | 430 |
| Sequential Write (MB/s) | 100 | 185 | 215 |

Notes:

- Results may differ from various flash configurations or host system setting.
- Sequential read/write is based on CrystalDiskMark 5.2.1 with file size 1,000MB.

3.3 Environmental Specifications

Environmental specifications of SDM5A product are shown in Table 3-4.

Table 3-4 Environmental Specifications

| Item | Specifications |
|-------------------------|--|
| Operating temp. | 0°C to 70°C (Standard); -40°C to 85°C (Wide) |
| Non-operating temp. | -40°C to 100°C |
| Operating vibration | 7.69 Grms, 20~2000 Hz/random (compliant with MIL-STD-810G) |
| Non-operating vibration | 4.02 Grms, 15 ~ 2000 Hz/sine (compliant with MIL-STD-810G) |
| Operating shock | 50(G), 11(ms), half-sine wave |
| Non-operating shock | 1,500(G), 0.5(ms), half-sine wave |

Note: This Environmental Specification table indicates the conditions for testing the device. Real world usages may affect the results.

3.4 Mean Time Between Failures (MTBF)

Mean Time Between Failures (MTBF) is predicted based on reliability data for the individual components in SDM5A. The prediction result for SDM5A is more than 2,000,000 hours.

Note: The MTBF is predicated and calculated based on “Telcordia Technologies Special Report, SR-332, Issue 2” method.

3.5 Certification and Compliance

SDM5A complies with the following standards:

- CE
- FCC
- RoHS Recast
- MIL-STD-810

4. Flash Management

4.1 Error Correction/Detection

SDM5A implements a hardware ECC scheme, based on the BCH algorithm. It can detect and correct up to 40 bits error in 1K bytes.

4.2 Bad Block Management

Current production technology is unable to guarantee total reliability of NAND flash memory array. When a flash memory device leaves factory, it comes with a minimal number of initial bad blocks during production or out-of-factory as there is no currently known technology that produce flash chips free of bad blocks. In addition, bad blocks may develop during program/erase cycles. Since bad blocks are inevitable, the solution is to keep them in control. Apacer flash devices are programmed with ECC, page mapping technique and S.M.A.R.T to reduce invalidity or error. Once bad blocks are detected, data in those blocks will be transferred to free blocks and error will be corrected by designated algorithms.

4.3 Global Wear Leveling

Flash memory devices differ from Hard Disk Drives (HDDs) in terms of how blocks are utilized. For HDDs, when a change is made to stored data, like erase or update, the controller mechanism on HDDs will perform overwrites on blocks. Unlike HDDs, flash blocks cannot be overwritten and each P/E cycle wears down the lifespan of blocks gradually. Repeatedly program/erase cycles performed on the same memory cells will eventually cause some blocks to age faster than others. This would bring flash storages to their end of service term sooner. Global wear leveling is an important mechanism that levels out the wearing of all blocks so that the wearing-down of all blocks can be almost evenly distributed. This will increase the lifespan of SSDs.

4.4 Flash Translation Layer – Page Mapping

Page mapping is an advanced flash management technology whose essence lies in the ability to gather data, distribute the data into flash pages automatically, and then schedule the data to be evenly written. Page-level mapping uses one page as the unit of mapping. The most important characteristic is that each logical page can be mapped to any physical page on the flash memory device. This mapping algorithm allows different sizes of data to be written to a block as if the data is written to a data pool and it does not need to take extra operations to process a write command. Thus, page mapping is adopted to increase random access speed and improve SSD lifespan, reduce block erase frequency, and achieve optimized performance and lifespan.

4.5 ATA Secure Erase

ATA Secure Erase is an ATA disk purging command currently embedded in most of the storage drives. Defined in ATA specifications, (ATA) Secure Erase is part of Security Feature Set that allows storage drives to erase all user data areas. The erase process usually runs on the firmware level as most of the ATA-based storage media currently in the market are built-in with this command. ATA Secure Erase can securely wipe out the user data in the drive and protects it from malicious attack.

4.6 Power Failure Management

Power Failure Management plays a crucial role when power supply becomes unstable. Power disruption may occur when users are storing data into the SSD, leading to instability in the drive. However, with Power Failure Management, a firmware protection mechanism will be activated to scan pages and blocks once power is resumed. Valid data will be transferred to new blocks for merging and the mapping table will be rebuilt. Therefore, data reliability can be reinforced, preventing damage to data stored in the NAND Flash.

4.7 TRIM

TRIM, though in capital letters usually, is a memory computation command rather than an abbreviation. It is mainly a SATA command that enables the operating system to inform the SSD (Solid State Drive) which blocks of previously stored data are no longer valid, due to erases by the host or operating system, such as file deletions or disk formatting. Once notified, SSD will begin the discard of the invalid LBAs and retain more space for itself, in fact, the discarded is no longer recoverable.

When an LBA is replaced by the operating system, as with overwrite of a file, the SSD is informed that the originally occupied LBA is determined as no longer in use or invalid. The SSD will not save those blocks in garbage collected sectors. Noticeably, a file deletion command by host or operating system never actually erases the actual content, but marks the file as deleted. This issue is even specifically noticeable for flash based memory devices, such as SSDs. In fact, an SSD will keep garbage collecting the invalid, previously occupied LBAs, if it is not informed that these LBAs can be erased. Thus, the SSD would experience a significant performance downfall.

4.8 SATA Power Management

By complying with SATA 6 Gb/s specifications, the SSD supports the following SATA power saving modes:

- ACTIVE: PHY ready, full power, TX & RX operational
- PARTIAL: Reduces power, resumes in under 10 μ s (microseconds)
- SLUMBER: Reduces power, resumes in under 10 ms (milliseconds)
- HIPM: Host-Initiated Power Management
- DIPM: Device-Initiated Power Management
- AUTO-SLUMBER: Automatic transition from partial to slumber.

Note: The behaviors of power management features would depend on host/device settings.

5. Software Interface

5.1 Command Set

Table 5-1 Command Set

| Code | Command | Code | Command |
|------|------------------------------|------|------------------------|
| E5h | CHECK POWER MODE | F3h | SECURITY ERASE PREPARE |
| 06h | DATA SET MANAGEMENT | F4h | SECURITY ERASE UNIT |
| 90h | EXECUTE DEVICE DIAGNOSTIC | F5h | SECURITY FREEZE LOCK |
| E7h | FLUSH CACHE | F1h | SECURITY SET PASSWORD |
| EAh | FLUSH CACHE EXT | F2h | SECURITY UNLOCK |
| ECh | IDENTIFY DEVICE | 70h | SEEK |
| E3h | IDLE | EFh | SET FEATURES |
| E1h | IDLE IMMEDIATE | C6h | SET MULTIPLE MODE |
| 91h | INITIALIZE DEVICE PARAMETERS | E6h | SLEEP |
| C8h | READ DMA | B0h | SMART |
| 25h | READ DMA EXT | E2h | STANDBY |
| C4h | READ MULTIPLE | E0h | STANDBY IMMEDIATE |
| 29h | READ MULTIPLE EXT | CAh | WRITE DMA |
| 20h | READ SECTOR | 35h | WRITE DMA EXT |
| 24h | READ SECTOR EXT | C5h | WRITE MULTIPLE |
| 40h | READ VERIFY SECTORS | 39h | WRITE MULTIPLE EXT |
| 42h | READ VERIFY SECTORS EXT | 30h | WRITE SECTOR |
| 10h | RECALIBRATE | 34h | WRITE SECTOR EXT |
| F6h | SECURITY DISABLE PASSWORD | | |

5.2 S.M.A.R.T.

S.M.A.R.T. is an abbreviation for Self-Monitoring, Analysis and Reporting Technology, a self-monitoring system that provides indicators of drive health as well as potential disk problems. It serves as a warning for users from unscheduled downtime by monitoring and displaying critical drive information. Ideally, this should allow taking proactive actions to prevent drive failure and make use of S.M.A.R.T. information for future product development reference.

Apacer devices use the standard SMART command B0h to read data out from the drive to activate our S.M.A.R.T. feature that complies with the ATA/ATAPI specifications. S.M.A.R.T. Attribute IDs shall include initial bad block count, total later bad block count, maximum erase count, average erase count, power on hours and power cycle. When the S.M.A.R.T. Utility running on the host, it analyzes and reports the disk status to the host before the device reaches in critical condition.

Note: Attribute IDs may vary from product models due to various solution design and supporting capabilities.

Apacer memory products come with S.M.A.R.T. commands and subcommands for users to obtain information of drive status and to predict potential drive failures. Users can take advantage of the following commands/subcommands to monitor the health of the drive.

Table 5-2 SMART Subcommand Set

| Code | SMART Subcommand |
|------|-----------------------------------|
| D0h | READ DATA |
| D1h | READ ATTRIBUTE THRESHOLDS |
| D2h | ENABLE/DISABLE ATTRIBUTE AUTOSAVE |
| D4h | EXECUTE OFF-LINE IMMEDIATE |
| D5h | SMART READ LOG |
| D6h | SMART WRITE LOG |
| D8h | ENABLE OPERATIONS |
| D9h | DISABLE OPERATIONS |
| DAh | RETURN STATUS |

Table 5-3 General SMART Attribute Structure

| Byte | Description |
|-------|-------------|
| 0 | ID (Hex) |
| 1 – 2 | Status Flag |
| 3 | Value |
| 4 | Worst |
| 5*-11 | Raw Data |

*Byte 5: LSB

Table 5-4 SMART Attribute ID List

| ID (Hex) | Attribute Name | Note |
|------------|-----------------------------|----------------------|
| 9 (0x09) | POWER-ON HOURS | General |
| 12 (0x0C) | POWER CYCLE COUNT | General |
| 163 (0xA3) | MAX. ERASE COUNT | General |
| 164 (0xA4) | AVG. ERASE COUNT | General |
| 166 (0xA6) | TOTAL LATER BAD BLOCK COUNT | General |
| 167 (0xA7) | SSD PROTECT MODE | 0: R/W, 3: Read Only |
| 168 (0xA8) | SATA PHY ERROR COUNT | Command Fail Count |
| 175 (0xAF) | BAD CLUSTER TABLE COUNT | ECC Fail Count |
| 192 (0xC0) | UNEXPECTED POWER LOSS COUNT | ATA Standby Command |
| 194 (0xC2) | TEMPERATURE | PCB Temperature |
| 241 (0xF1) | TOTAL SECTORS OF WRITE | LBA |

6. Electrical Specifications

6.1 Operating Voltage

Table 6-1 lists the supply voltage for SDM5A.

Caution: Absolute Maximum Stress Ratings – Applied conditions greater than those listed under “Absolute Maximum Stress Ratings” may cause permanent damage to the device. This is a stress rating only and functional operation of the device at these conditions or conditions greater than those defined in the operational sections of this data sheet is not implied. Exposure to absolute maximum stress rating conditions may affect device reliability.

Table 6-1 Operating Range

| Item | Range |
|----------------|----------------------|
| Supply Voltage | 5V ± 5% (4.75-5.25V) |

6.2 Power Consumption

Table 6-2 and 6-3 list the power consumption for SDM5A.

Table 6-2 Power Consumption (Standard)

| Mode \ Capacity | 1 GB | 2 GB | 4 GB | 8 GB | 16 GB |
|-----------------|------|------|------|------|-------|
| Active (mA) | 135 | 150 | 135 | 155 | 165 |
| Idle (mA) | 65 | 65 | 65 | 65 | 65 |

Table 6-3 Power Consumption (High-speed)

| Mode \ Capacity | 8 GB | 16 GB | 32 GB |
|-----------------|------|-------|-------|
| Active (mA) | 220 | 245 | 260 |
| Idle (mA) | 60 | 60 | 60 |

Notes:

- All values are typical and may vary depending on flash configurations or host system settings.
- Active power is an average power measurement performed using CrystalDiskMark with 128KB sequential read/write transfers.

7. Mechanical Specifications

7.1 Standard

7.1.1 W/O Housing

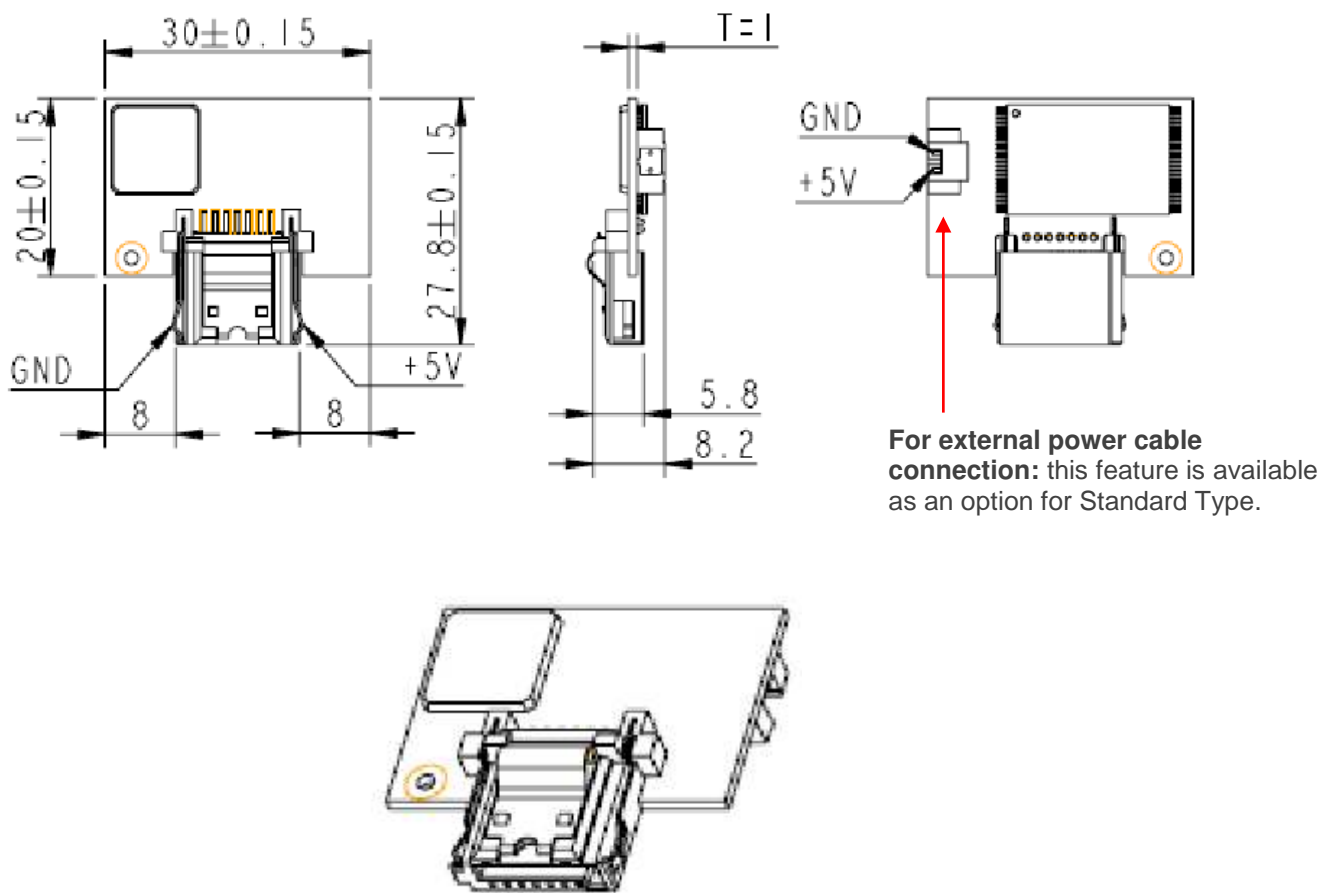
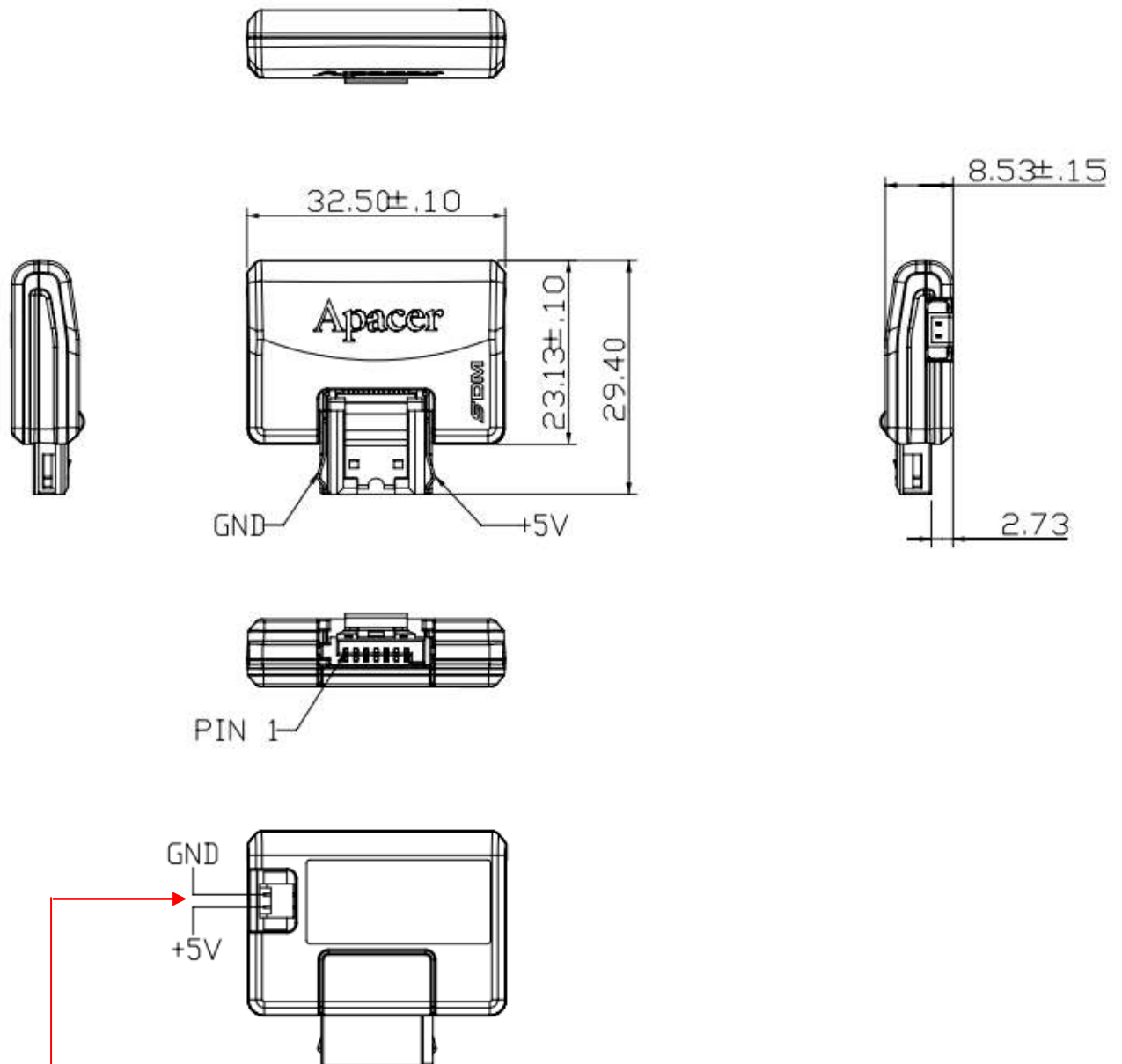


Figure 7-1 Standard Dimensions – without Housing

Unit: mm
Tolerance: ± 0.25

7.1.2 With Housing



For external power cable connection: this feature is available as an option for Standard Type.

Figure 7-2 Standard Dimensions – with Housing

Unit: mm
Tolerance: ± 0.25

7.2 High Speed

Please note that high-speed type comes in only power cable-less form.

7.2.1 W/O Housing

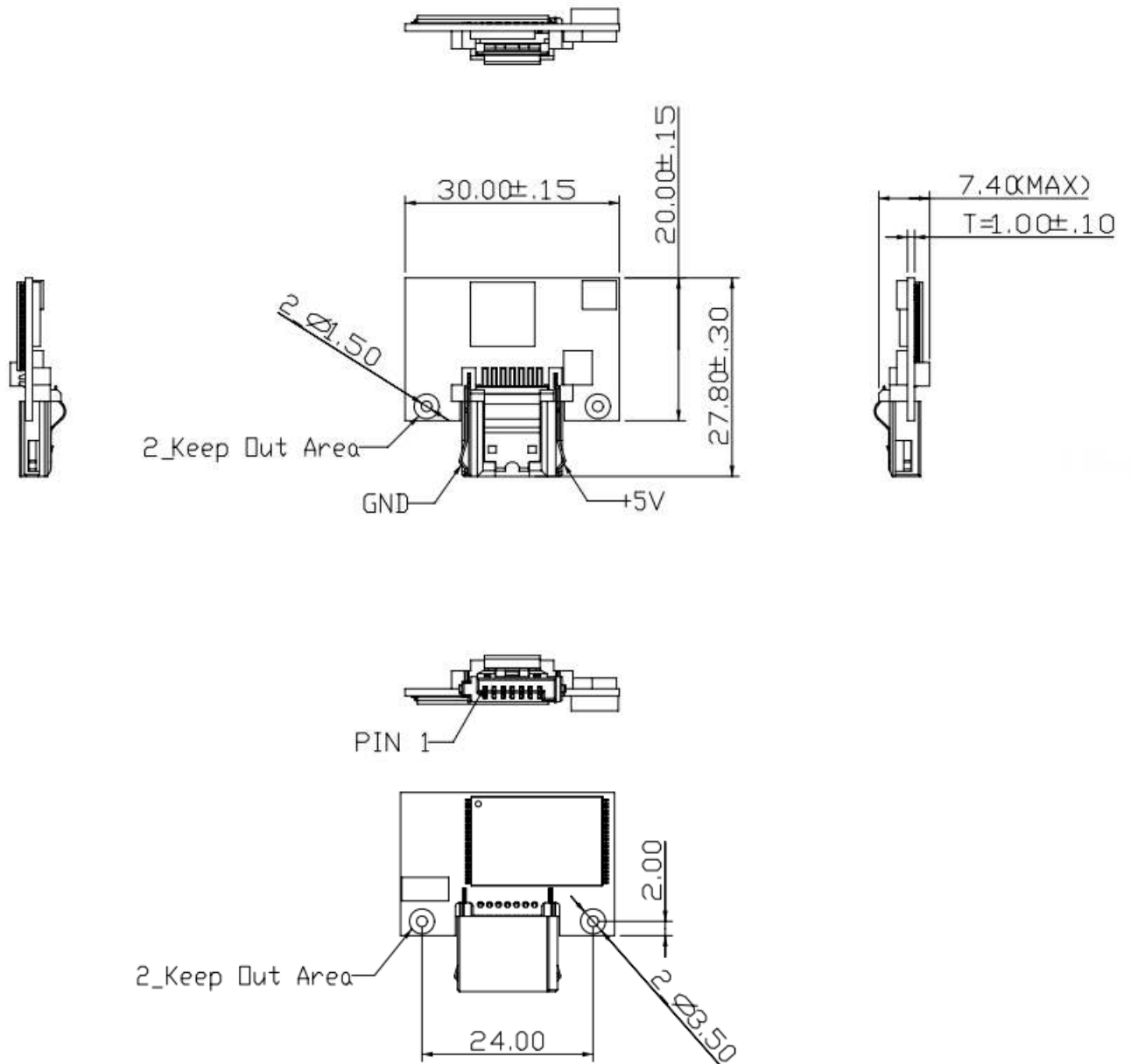


Figure 7-3 High-speed Dimensions – without Housing

Unit: mm
Tolerance: ± 0.25

7.2.2 W/Housing

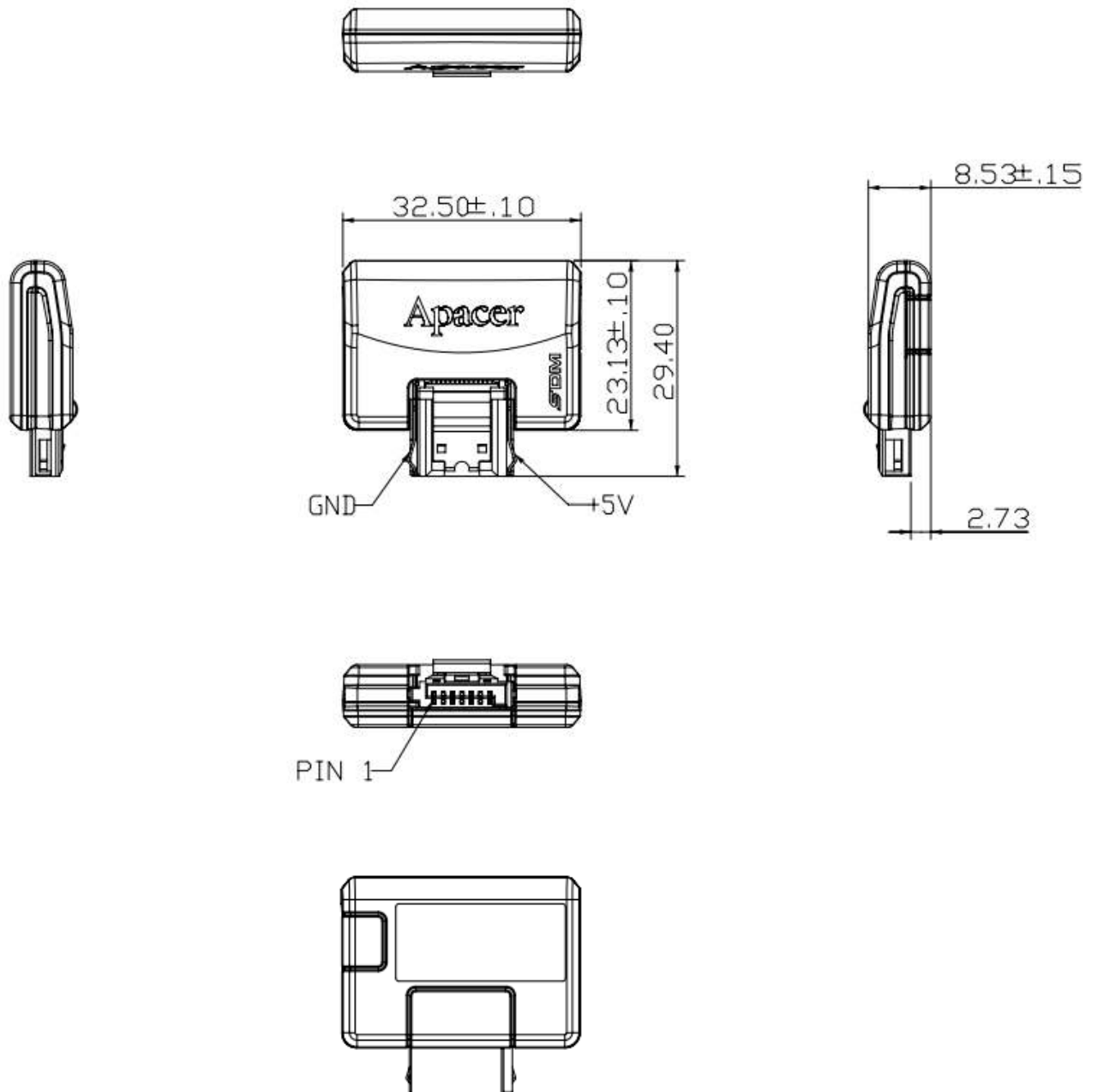
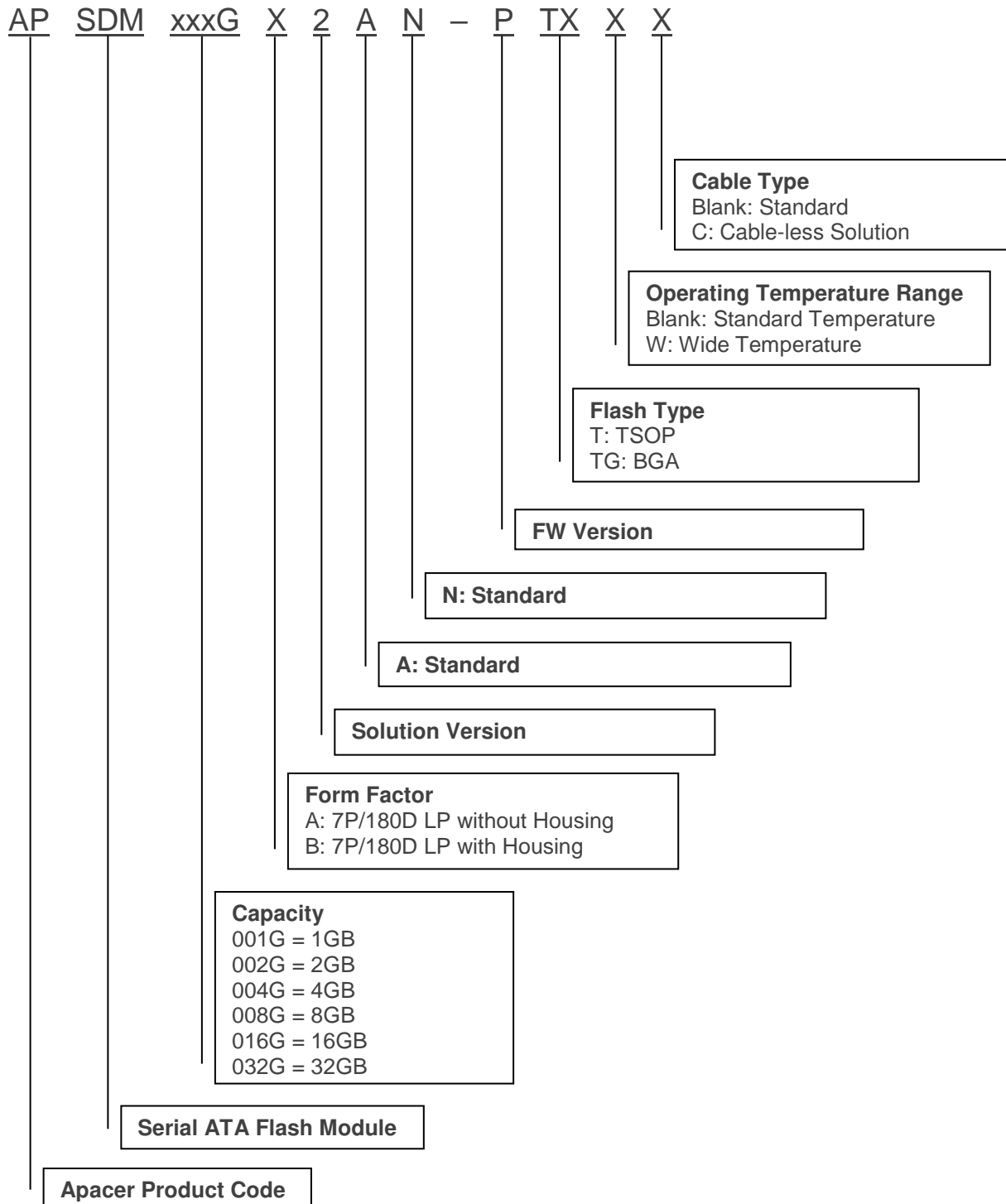


Figure 7-3 High-speed Dimensions – with Housing

Unit: mm
Tolerance: ± 0.25

8. Product Ordering Information

8.1 Product Code Designations



8.2 Valid Combinations

The following tables list the available models of the SDM5A series which are in mass production or will be in mass production. Consult your Apacer sales representative to confirm availability of valid combinations and to determine availability of new combinations.

These P/Ns are for models with power cable. For models without power cable, P/Ns vary depending on the type of cable-less solution:

- For 7+2 cable-less solution, an additional digit “C” will be added at the end of the P/N.

8.2.1 Standard (LP) 180D w/o Housing (7pin)

| Capacity | Standard Temperature | Wide Temperature |
|----------|----------------------|-------------------|
| 1GB | APSDM001GA2AN-PT | APSDM001GA2AN-PTW |
| 2GB | APSDM002GA2AN-PT | APSDM002GA2AN-PTW |
| 4GB | APSDM004GA2AN-PT | APSDM004GA2AN-PTW |
| 8GB | APSDM008GA2AN-PT | APSDM008GA2AN-PTW |
| 16GB | APSDM016GA2AN-PT | APSDM016GA2AN-PTW |

8.2.2 Standard (LPH) 180D with Housing (7pin)

| Capacity | Standard Temperature | Wide Temperature |
|----------|----------------------|-------------------|
| 1GB | APSDM001GB2AN-PT | APSDM001GB2AN-PTW |
| 2GB | APSDM002GB2AN-PT | APSDM002GB2AN-PTW |
| 4GB | APSDM004GB2AN-PT | APSDM004GB2AN-PTW |
| 8GB | APSDM008GB2AN-PT | APSDM008GB2AN-PTW |
| 16GB | APSDM016GB2AN-PT | APSDM016GB2AN-PTW |

8.2.3 High-Speed (LP) 180D w/o Housing (7pin)

| Capacity | Standard Temperature | Wide Temperature |
|----------|----------------------|---------------------|
| 8GB | APSDM008GA2AN-PTGC | APSDM008GA2AN-PTGWC |
| 16GB | APSDM016GA2AN-PTGC | APSDM016GA2AN-PTGWC |
| 32GB | APSDM032GA2AN-PTGC | APSDM032GA2AN-PTGWC |

8.2.4 High-Speed (LPH) 180D with Housing (7pin)

| Capacity | Standard Temperature | Wide Temperature |
|----------|----------------------|---------------------|
| 8GB | APSDM008GB2AN-PTGC | APSDM008GB2AN-PTGWC |
| 16GB | APSDM016GB2AN-PTGC | APSDM016GB2AN-PTGWC |
| 32GB | APSDM032GB2AN-PTGC | APSDM032GB2AN-PTGWC |

Revision History

| Revision | Description | Date |
|----------|--|------------|
| 1.0 | Official release | 9/13/2016 |
| 1.1 | - Added Flash Translation Layer: Page Mapping and TRIM to Flash Management on Features page - Updated 3.3 Environmental Specifications - Added 4.3 Flash Translation Layer – Page Mapping and 4.7 TRIM | 6/19/2017 |
| 1.2 | Added the 2 nd note for 8.2 Valid Combinations | 8/17/2017 |
| 1.3 | Updated product ordering information for high-speed models | 10/31/2017 |
| 1.4 | Updated product ordering information | 1/11/2018 |
| 1.5 | - Added power segment options to Connector on Specifications Overview page - Added Power Supply Option to Specifications Overview page | 12/14/2021 |
| 1.6 | Modified the solution version code from E to 2 at 8.1 Product Code Designations | 5/3/2022 |

Global Presence

Taiwan (Headquarters)

Apacer Technology Inc.

1F., No.32, Zhongcheng Rd., Tucheng Dist.,
New Taipei City 236, Taiwan R.O.C.
Tel: 886-2-2267-8000
Fax: 886-2-2267-2261
amtsales@apacer.com

U.S.A.

Apacer Memory America, Inc.

46732 Lakeview Blvd., Fremont, CA 94538
Tel: 1-408-518-8699
Fax: 1-510-249-9551
sa@apacerus.com

Japan

Apacer Technology Corp.

6F, Daiyontamachi Bldg., 2-17-12, Shibaura, Minato-Ku,
Tokyo, 108-0023, Japan
Tel: 81-3-5419-2668
Fax: 81-3-5419-0018
jpservices@apacer.com

Europe

Apacer Technology B.V.

Science Park Eindhoven 5051 5692 EB Son,
The Netherlands
Tel: 31-40-267-0000
Fax: 31-40-290-0686
sales@apacer.nl

China

Apacer Electronic (Shanghai) Co., Ltd

Room D, 22/FL, No.2, Lane 600, JieyunPlaza,
Tianshan RD, Shanghai, 200051, China
Tel: 86-21-6228-9939
Fax: 86-21-6228-9936
sales@apacer.com.cn

India

Apacer Technologies Pvt Ltd,

1874, South End C Cross, 9th Block Jayanagar,
Bangalore-560069, India
Tel: 91-80-4152-9061/62
Fax: 91-80-4170-0215
sales_india@apacer.com