

● **High reliability, Safe and unlike secondary batteries, this is pollution free devices.**

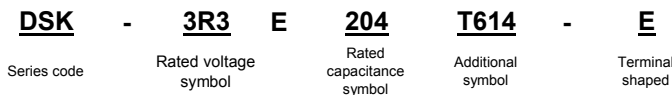
● **RoHS Compliant.**

● **ELAN P/N: DSK-3R3E204T614-E**

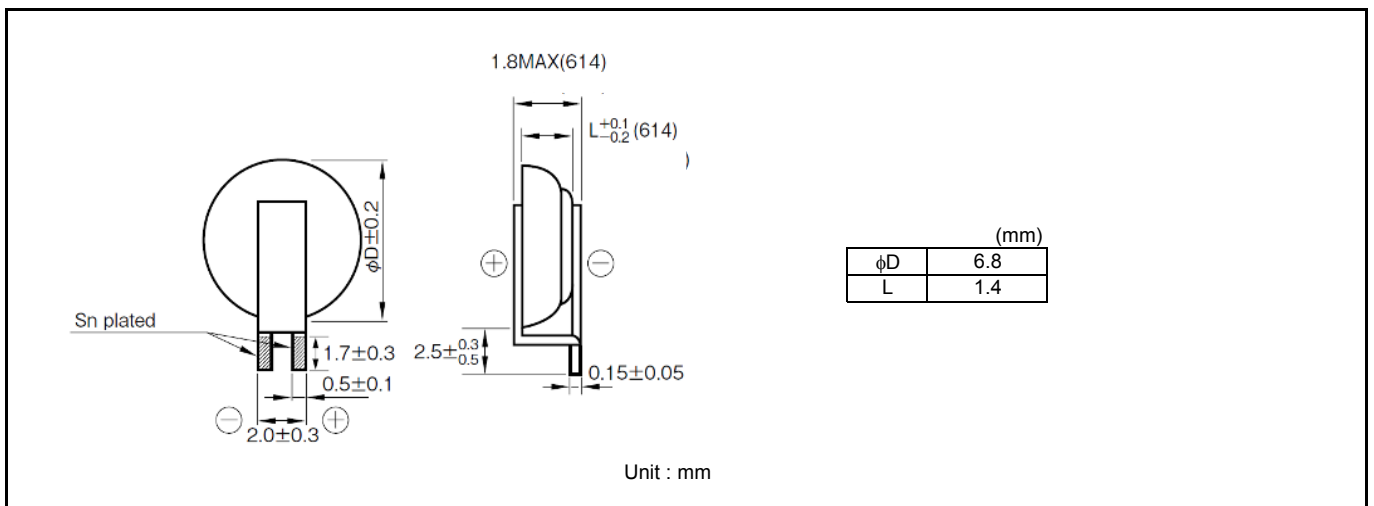
■ Spec sheet

Item	Performance	
Category temperature range (deg C)	-10 to +60	
Rated Voltage (V)	3.3	
Rated Capacitance (F)	0.2 (20deg C)	
Tolerance at rated capacitance (%)	-20 to +80 (20deg C)	
Internal resistance (ohm max.)	20deg C, 1kHz	200
Characteristics at high and low temperature	Capacitance change	Within -50% to +50% at 20deg C
	Internal resistance	Less than five times of the initial specified value
Endurance(60deg C)	Test time	1000hours
	Percentage of capacitance change	Within -30% to +30% of initial value
	Internal resistance	Less than 2kohm
Shelf life(60deg C)	Test time	1000hours
	Capacitance change	Within -30% to +30% of initial value
	Internal resistance	Less than 2kohm
Applicable standards	Conforms to JIS C5160-1 (IEC 62391-1)	

■ ELNA part numbering system



■ Outline drawing



(Note) It is recommended that you shall obtain technical specifications from ELNA CO., LTD. to ensure that the component is suitable for your intended use.