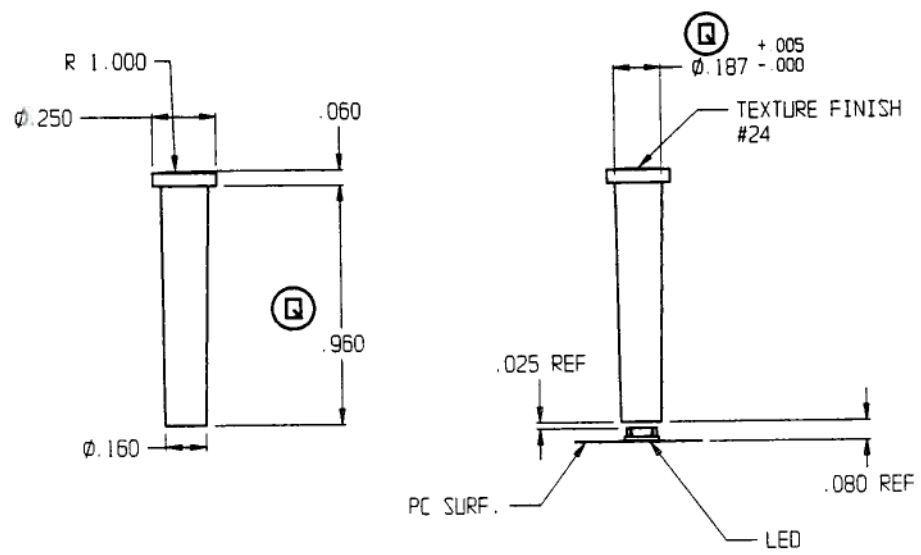


REV	ECR NO./DESCRIPTION	DATE
A	14214 NEW RELEASE	1/14/97
B	14265 HM DMIT DET. X. .960 WAS .930	2/4/97
C	14302 HM CHANGED TO SALES DWG	2/12/97



- NOTES:
1. LIGHTPIPE TO BE MOLDED IN A CLEAR 94-VO POLYCARBIMATE.
 2. COMPONENT TO BE FREE OF IMPERFECTIONS WHICH WOULD INTERFERE WITH THE DESIGNED LIGHT OUTPUT.
 3. LED SHOWN FOR REFERENCE

FOR INSPECTION USE ONLY
 SPC DOCUMENTATION REQ. (X R CHARTS)

OCT 10 2000

DIST	S
------	---

THIS DWG IS THE PROPERTY OF INDUSTRIAL DEVICES, INC. AND IS PROPRIETARY IN GENERAL AND IN DETAIL. IT SHALL NOT BE COPIED OR ITS CONTENTS REVEALED TO OUTSIDE PARTIES WITHOUT THE WRITTEN CONSENT OF INDUSTRIAL DEVICES, INC.

DO NOT SCALE

PART NO.	TITLE	
MODEL NO. 7511A44	VERTICAL LIGHTPIPE	
MATERIAL	SEE NOTE	INDUSTRIAL DEVICES INC. A CHICAGO MINIATURE COMPANY 280 RAILROAD AVE. HADDONSBACK, NJ 07601
FINISH	NOTED	
TOLERANCE UNLESS OTHERWISE SPECIFIED:	DRAWN S. WU	SCALE 2 : 1
INCHES .0005 M.D.	CHECKED NS 2-13-97	B13463
ANGLE ±1 DEG	ENG. APPROV. P. S. 2/12/97	