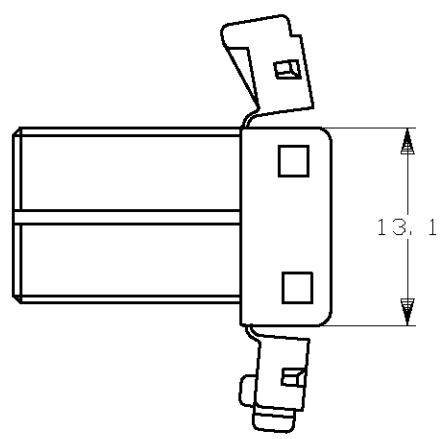
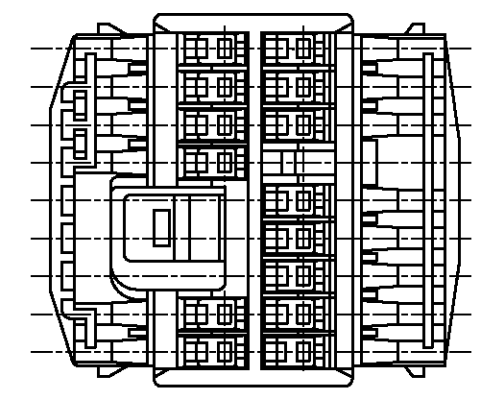
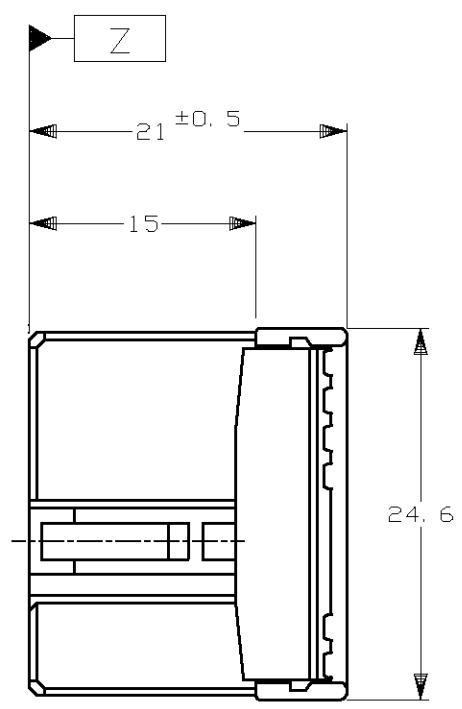
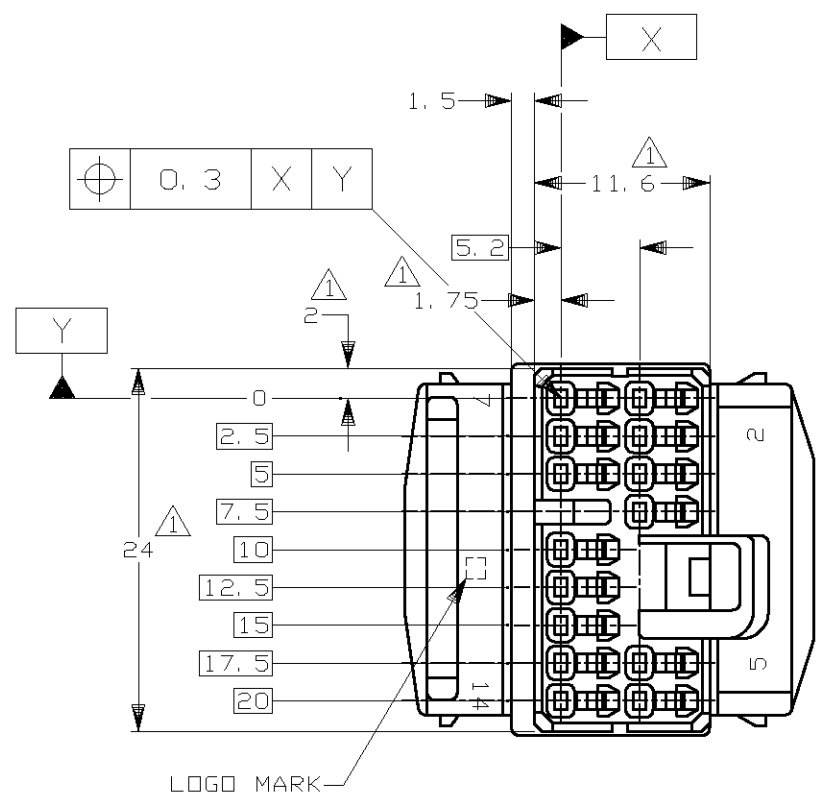


THIS DRAWING IS UNPUBLISHED. RELEASED FOR PUBLICATION
 © COPYRIGHT - By Tyco Electronics JAPAN G.K. ALL RIGHTS RESERVED.

LOC	DIST	REVISIONS					
J	-	P	LTR	DESCRIPTION	DATE	DWN	APVD
			A2	REVISED	ECR-13-002015	11MAR2013	TS KB



- 1. MUST BE KEPT BETWEEN [-Z-] AND 2mm.
 - 2. APPLIED CONTACT PART NUMBER ; 173681, 175180
 - 3. THE MATING CAP HOUSING NUMBERS ; 917532, 917535, 917603, 917534 AND 917604
- 1. [-Z-] 面より2mmの範囲で測定。
 - 2. 内装するコンタクト型番 ; 173681, 175180
 - 3. 嵌合相手ハウジング型番 ; 917532, 917535, 917603, 917534 AND 917604.

NATURAL	917531-1
COLOR	PART NUMBER

TOLERANCES UNLESS OTHERWISE SPECIFIED:
 一般公差

10 ≥	: ±0.2
30 ≥ > 10	: ±0.25
100 ≥ > 30	: ±0.3
ANGLE : ±3°	

THIS DRAWING IS A CONTROLLED DOCUMENT.		DWN S.SAKAGUCHI 02APR2012	STE TE Connectivity													
DIMENSIONS: 単位: 耗 mm		CHK Y.NOGUCHI 02APR2012														
TOLERANCES UNLESS OTHERWISE SPECIFIED: 一般公差		APVD Y.FUJIWARA 02APR2012	NAME 040 SERIES MULTI-LOCK I/O CONNECTOR 14POSITION PLUG HOUSING													
<table border="1"> <tr><td>0-PLC</td><td>±</td></tr> <tr><td>1-PLC</td><td>±</td></tr> <tr><td>2-PLC</td><td>±</td></tr> <tr><td>3-PLC</td><td>±</td></tr> <tr><td>4-PLC</td><td>±</td></tr> <tr><td>ANGLES</td><td>±</td></tr> </table>		0-PLC	±	1-PLC	±	2-PLC	±	3-PLC	±	4-PLC	±	ANGLES	±	PRODUCT SPEC 製品規格 108-5471	RESTRICTED TO	
0-PLC	±															
1-PLC	±															
2-PLC	±															
3-PLC	±															
4-PLC	±															
ANGLES	±															
MATERIAL 材料 PBT		FINISH 仕上	APPLICATION SPEC 取付適用規格	SIZE A3												
		WEIGHT 4g	CAGE CODE 00779	DRAWING NO C-917531												
		CUSTOMER DRAWING	SCALE 尺度 2:1	SHEET 1 OF 1												
				REV A2												