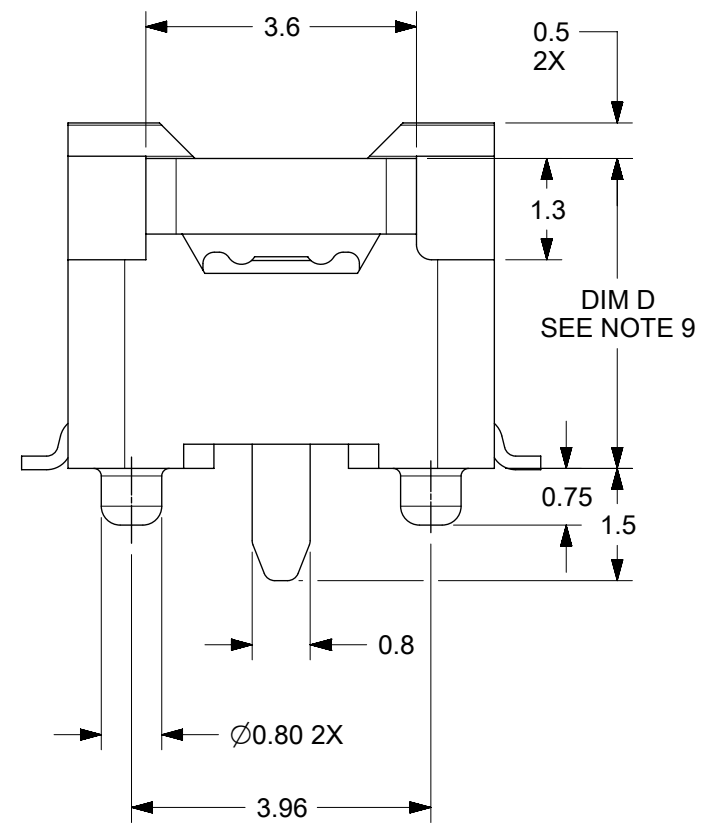
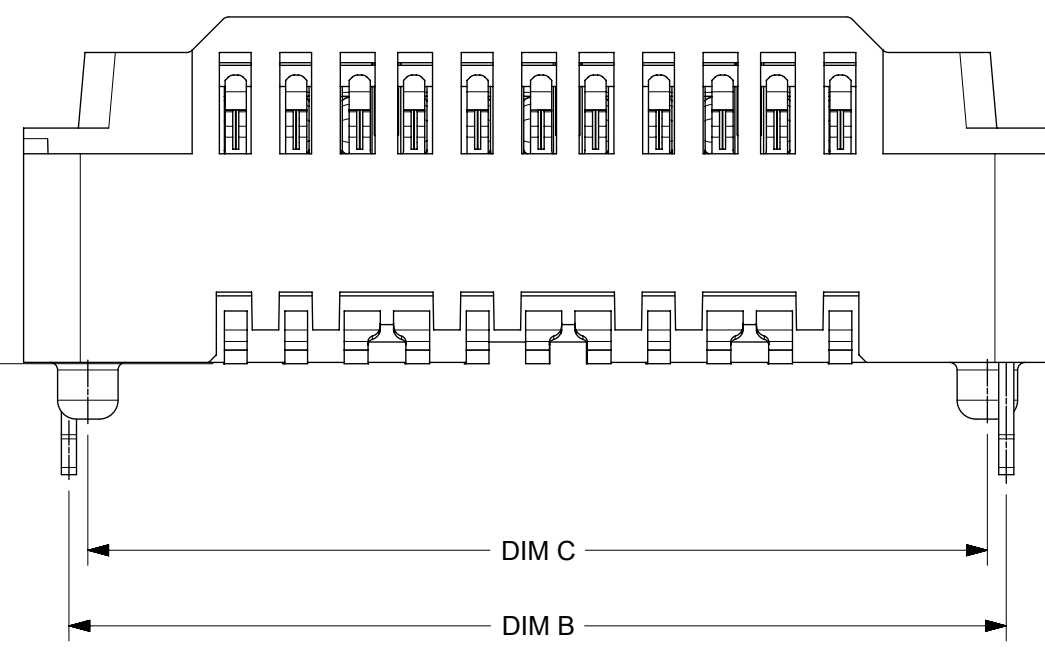
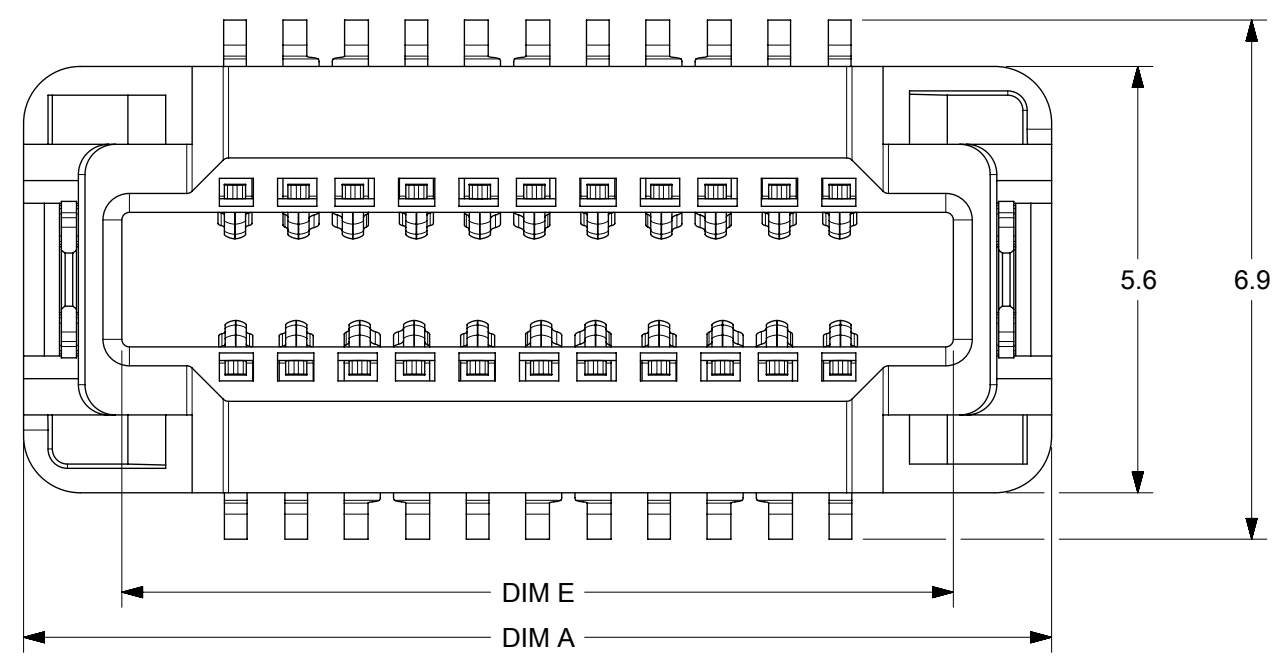


PART NUMBER	CKT SIZE	DIFF PAIRS	SPARE CKTS	DIM A	DIM B	DIM C	DIM E	DIM D
171450-5102	22	6	2	13.6	12.40	11.90	11.0	4.10
171450-5105	60	16	8	28.8	27.60	27.10	26.2	3.10
171450-5106								4.10
171450-5114	82	22	10	41.6	40.40	39.90	11.0/ 26.2	4.10



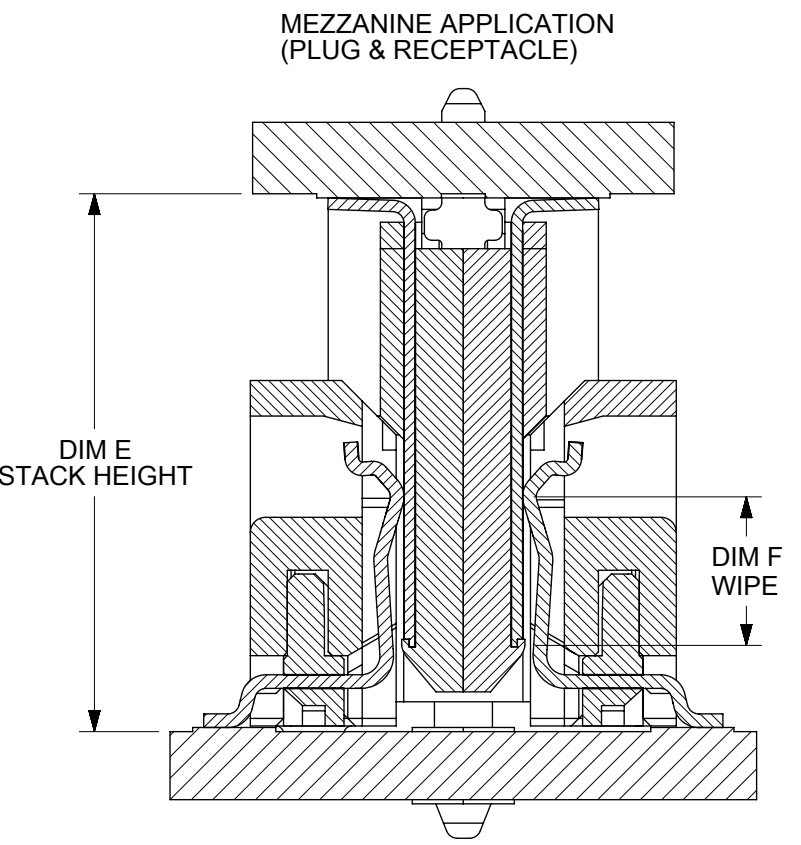
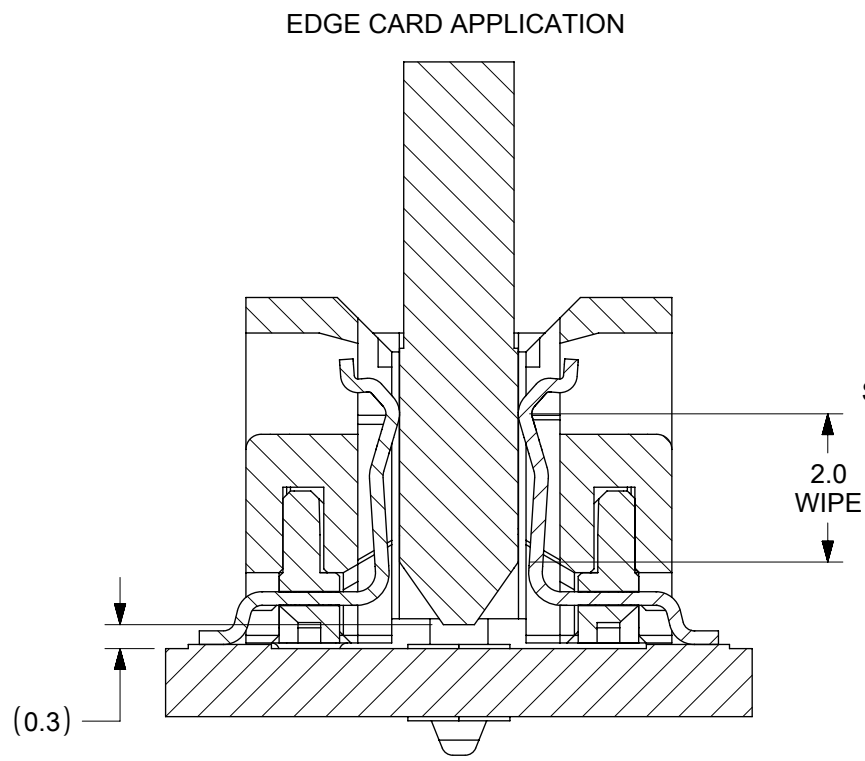
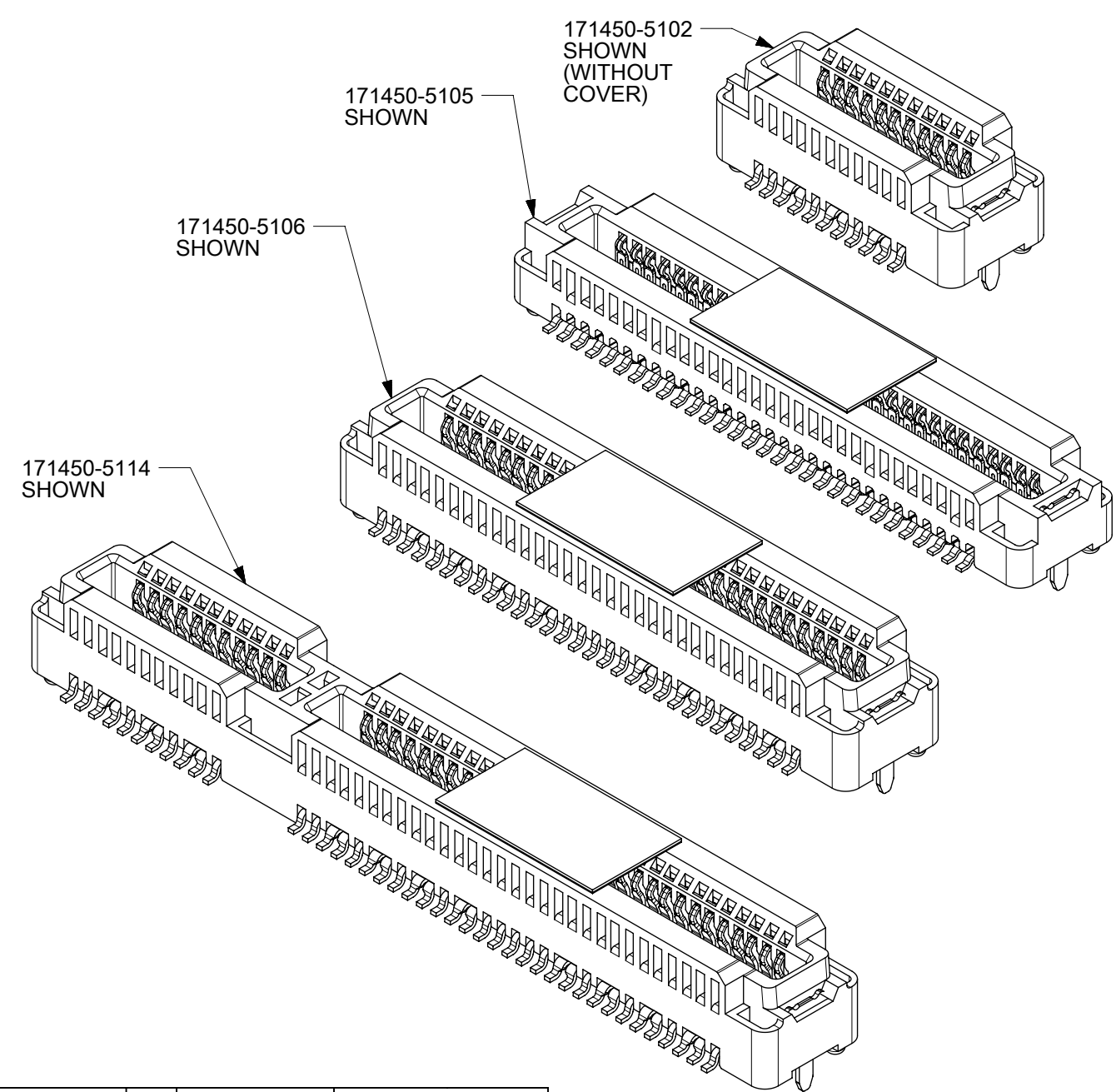
- NOTES:
- MATERIALS: HOUSING: LCP, UL94V-0, BLACK
CONTACTS: HIGH PERFORMANCE COPPER ALLOY
 - FINISH: 0.76 μm MIN SELECT GOLD IN CONTACT AREA,
SELECT MATTE TIN IN TAIL AREA, OVERALL NICKEL.
 - PRODUCT SPECIFICATION: PS-171446-0001
 - PACKAGING SPECIFICATION: PK-70873-6002
 - MATES WITH SPEEDSTACK PLUGS: 171446 & 171810
 - APPLICATION SPECIFICATION: AS-171450-9999
 - COSMETIC SPECIFICATION: PS-45499-002 CLASS B
 - PART STATUS: CONTACT MOLEX
 - DIM D ON THIS DRAWING PLUS DIM D ON DRAWING # SD-171446-1000
EQUALS THE SYSTEM MATED STACK HEIGHT
 - PARTS SHIPPED WITH PICK AND PLACE COVERS.

THIS DRAWING CONTAINS INFORMATION THAT IS PROPRIETARY TO MOLEX ELECTRONIC TECHNOLOGIES, LLC AND SHOULD NOT BE USED WITHOUT WRITTEN PERMISSION

DIMENSION UNITS mm	SCALE 10:1	CURRENT REV DESC: ADD -5105		molex		
GENERAL TOLERANCES (UNLESS SPECIFIED)		EC NO: 623611				
ANGULAR TOL ± 0.5°	4 PLACES ±	DRWN: JBINGHAM 2019/09/03		PRODUCT CUSTOMER DRAWING		
3 PLACES ±	2 PLACES ± 0.13	CHK'D: KLANG 2019/09/06		DOCUMENT NUMBER		
1 PLACE ± 0.25	0 PLACES ±	APPR: KLANG 2019/09/06		SD-171450-5000		
INITIAL REVISION:		DRWN: JBINGHAM 2016/08/25		DOC TYPE	DOC PART	REVISION
DRAFT WHERE APPLICABLE MUST REMAIN WITHIN DIMENSIONS		APPR: JBINGHAM 2016/09/07		PSD	001	B
THIRD ANGLE PROJECTION		DRAWING	SERIES	MATERIAL NUMBER	CUSTOMER	SHEET NUMBER
B-SIZE		171450	SEE CHART	GENERAL MARKET	1 OF 8	

MEZZANINE (PLUG & RECEPTACLE) STACKING CHART

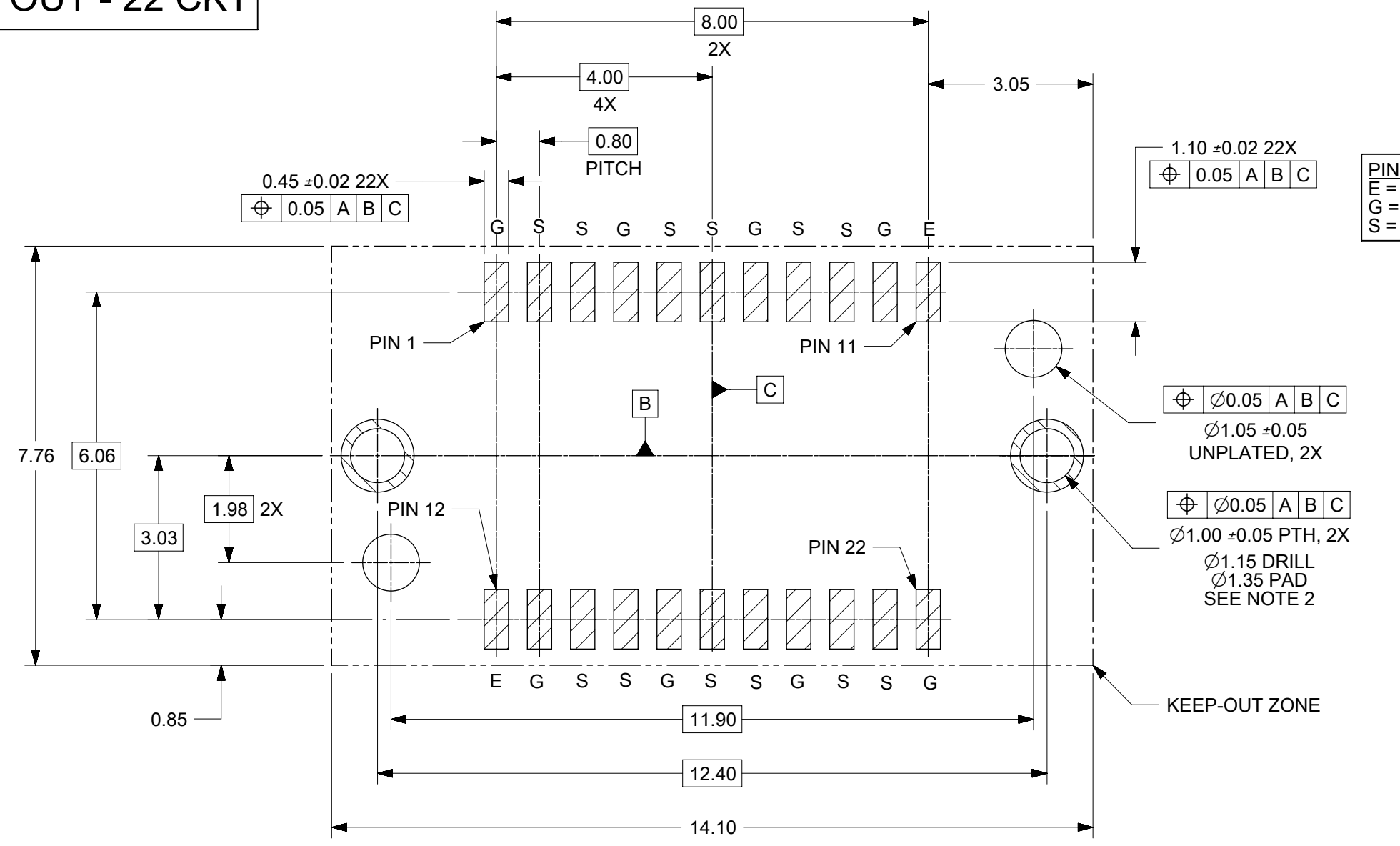
RECEPTACLE OPTIONS		PLUG OPTIONS (1mm WIPE)				PLUG OPTIONS (2mm WIPE)				
		HEIGHT	1mm	2mm	3mm	4mm	1mm	2mm	3mm	4mm
22 CKT	171446-1101	171446-1102	171446-1103	171446-1104	171446-1105	171446-1106	171446-1107	171446-1108		
60 CKT	171446-1109	171446-1110	171446-1111	171446-1112	171446-1113	171446-1114	171446-1115	171446-1116		
60 CKT	171450-5105	3mm	4/1	5/1	6/1	7/1	N/A			
22 CKT	171450-5102	4mm	5/1	6/1	7/1	8/1	5/2	6/2	7/2	8/2
60 CKT	171450-5106									
82 CKT	171450-5114									
CIRCUITS	MOLEX P/N	HEIGHT	STACK HEIGHT (DIM E)/WIPE (DIM F)							



THIS DRAWING CONTAINS INFORMATION THAT IS PROPRIETARY TO MOLEX ELECTRONIC TECHNOLOGIES, LLC AND SHOULD NOT BE USED WITHOUT WRITTEN PERMISSION

DIMENSION UNITS mm	SCALE 10:1	CURRENT REV DESC: ADD -5105				
GENERAL TOLERANCES (UNLESS SPECIFIED)		EC NO: 623611				
ANGULAR TOL ± 0.5°	4 PLACES ±	DRWN: JBINGHAM	2019/09/03	RECEPTACLE ASSEMBLY SALES DRAWING		
3 PLACES ±	2 PLACES ± 0.13	CHK'D: KLANG	2019/09/06	PRODUCT CUSTOMER DRAWING		
1 PLACE ± 0.25	0 PLACES ±	APPR: KLANG	2019/09/06	DOCUMENT NUMBER		
DRAFT WHERE APPLICABLE MUST REMAIN WITHIN DIMENSIONS		INITIAL REVISION:		SD-171450-5000		
THIRD ANGLE PROJECTION		DRWN: JBINGHAM		2016/08/25	DOC TYPE	DOC PART
DRAWING		APPR: JBINGHAM		2016/09/07	PSD	001
B-SIZE		SERIES		171450	REVISION	B
MATERIAL NUMBER		CUSTOMER		SEE CHART	GENERAL MARKET	
SHEET NUMBER				2 OF 8		

PCB LAYOUT - 22 CKT



PINOUT LEGEND
 E = EXTRA
 G = GROUND
 S = SIGNAL

⊕ 0.05 A B C
 ∅1.05 ±0.05
 UNPLATED, 2X

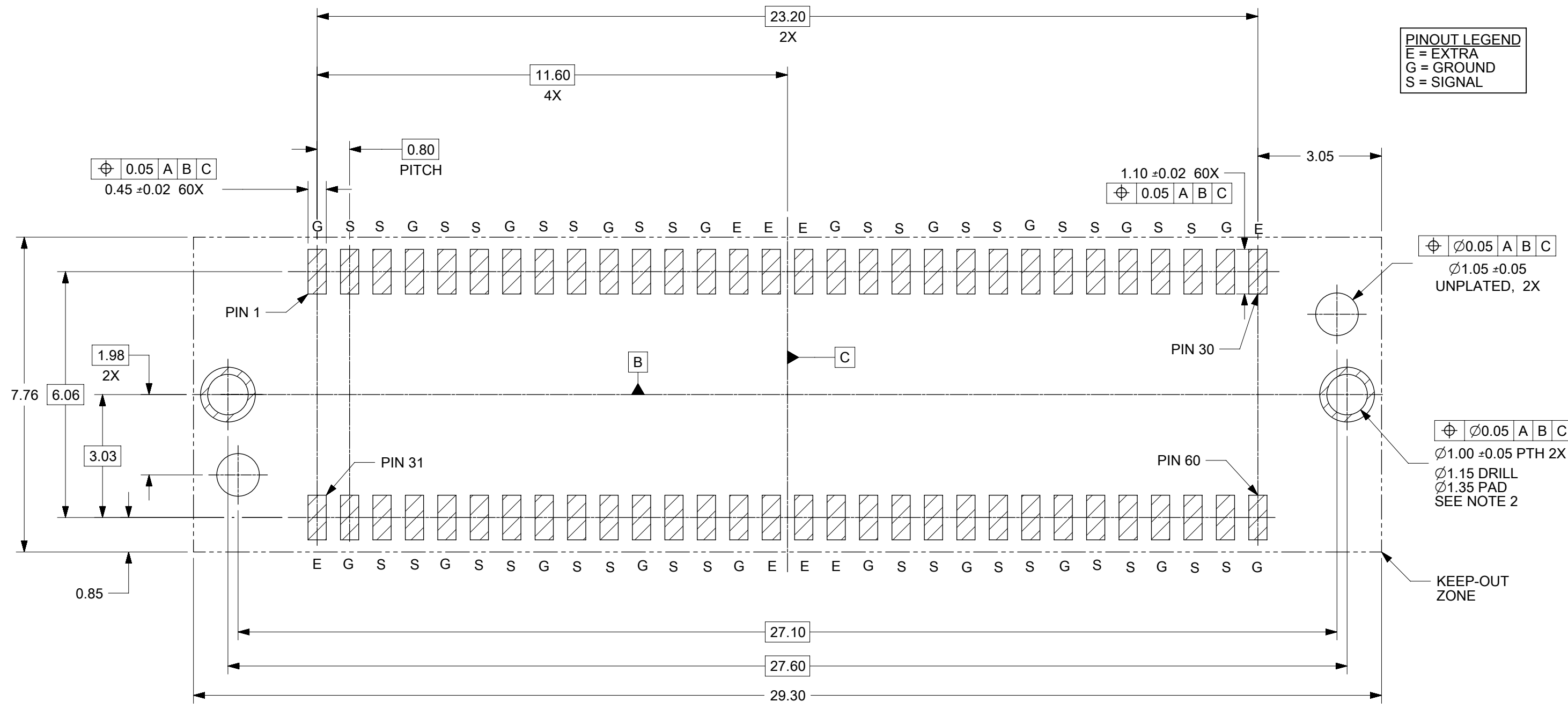
⊕ 0.05 A B C
 ∅1.00 ±0.05 PTH, 2X
 ∅1.15 DRILL
 ∅1.35 PAD
 SEE NOTE 2

PCB LAYOUT (COMPONENT SIDE)
 SOLDER PASTE THICKNESS: 0.15 MIN
 DATUM **A** IS THE BOTTOM SURFACE OF THE PCB

- NOTES:**
- PIN NUMBERING IS FOR REFERENCE ONLY. OTHER PIN NUMBERS WILL NOT AFFECT THE OPERATION OF THE CONNECTOR.
 - RETENTION NAIL MUST BE SOLDERED ONTO THE PCB FOR PROPER CONNECTOR FUNCTION.

THIS DRAWING CONTAINS INFORMATION THAT IS PROPRIETARY TO MOLEX ELECTRONIC TECHNOLOGIES, LLC AND SHOULD NOT BE USED WITHOUT WRITTEN PERMISSION									
DIMENSION UNITS	SCALE	CURRENT REV DESC: ADD -5105							
mm	10:1								
GENERAL TOLERANCES (UNLESS SPECIFIED)									
ANGULAR TOL	± 0.5°	EC NO: 623611 DRWN: JBINGHAM 2019/09/03 CHK'D: KLANG 2019/09/06 APPR: KLANG 2019/09/06							
4 PLACES	±	PRODUCT CUSTOMER DRAWING							
3 PLACES	±								
2 PLACES	± 0.13	INITIAL REVISION: DRWN: JBINGHAM 2016/08/25 APPR: JBINGHAM 2016/09/07							
1 PLACE	± 0.25	DOCUMENT NUMBER: SD-171450-5000 DOC TYPE: PSD DOC PART: 001 REVISION: B							
0 PLACES	±	MATERIAL NUMBER: SEE CHART CUSTOMER: GENERAL MARKET SHEET NUMBER: 3 OF 8							
DRAFT WHERE APPLICABLE MUST REMAIN WITHIN DIMENSIONS		THIRD ANGLE PROJECTION	DRAWING	SERIES	MATERIAL NUMBER	CUSTOMER	SHEET NUMBER		
			B-SIZE	171450	SEE CHART	GENERAL MARKET	3 OF 8		

PCB LAYOUT - 60 CKT



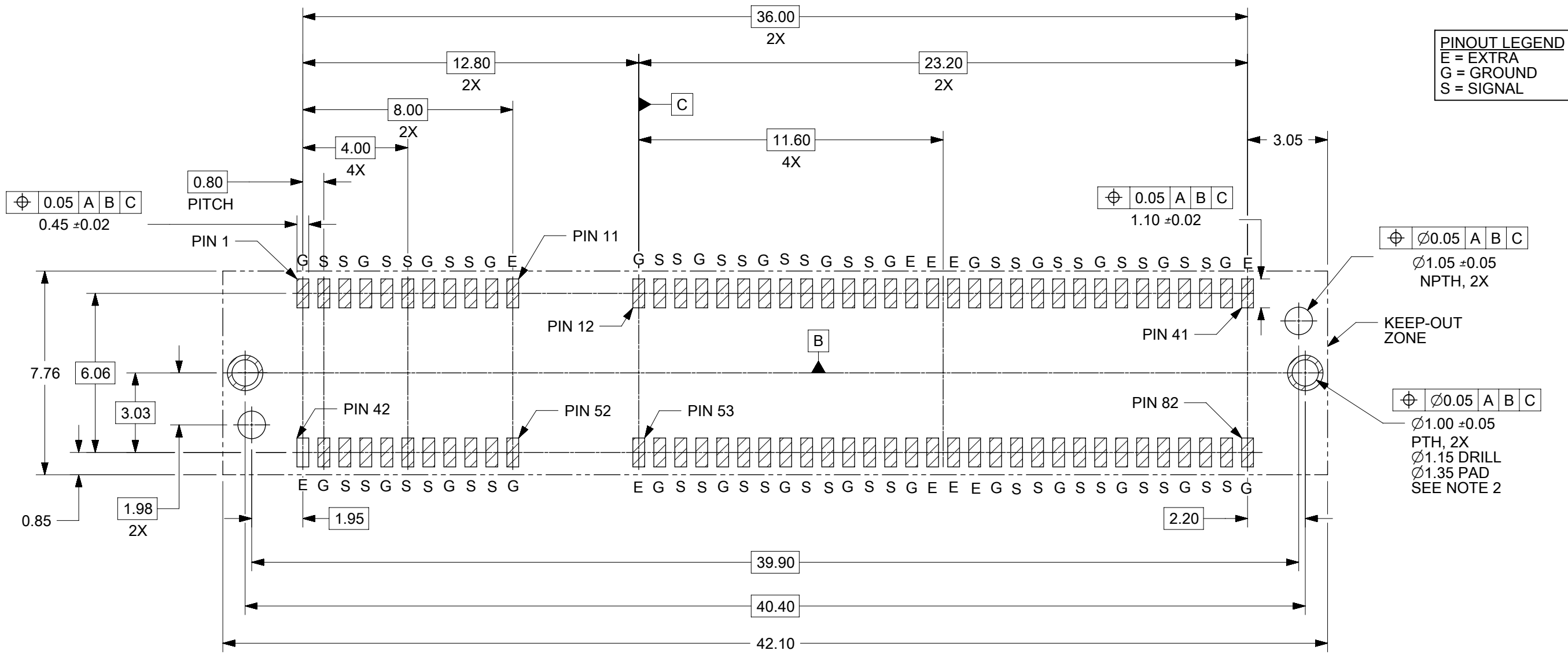
PCB LAYOUT (COMPONENT SIDE)
 SOLDER PASTE THICKNESS: 0.15 MIN
 DATUM **A** IS THE BOTTOM SURFACE OF THE PCB

NOTES:
 1. PIN NUMBERING IS FOR REFERENCE ONLY. OTHER PIN NUMBERS WILL NOT AFFECT THE OPERATION OF THE CONNECTOR.
 2. RETENTION NAIL MUST BE SOLDERED ONTO THE PCB FOR PROPER CONNECTOR FUNCTION.

THIS DRAWING CONTAINS INFORMATION THAT IS PROPRIETARY TO MOLEX ELECTRONIC TECHNOLOGIES, LLC AND SHOULD NOT BE USED WITHOUT WRITTEN PERMISSION													
DIMENSION UNITS		SCALE		CURRENT REV DESC: ADD -5105									
mm		10:1											
GENERAL TOLERANCES (UNLESS SPECIFIED)				EC NO: 623611						SPEEDSTACK RECEPTACLE ASSEMBLY SALES DRAWING			
ANGULAR TOL ± 0.5°				DRWN: JBINGHAM 2019/09/03									
4 PLACES ±				CHK'D: KLANG 2019/09/06									
3 PLACES ±				APPR: KLANG 2019/09/06						PRODUCT CUSTOMER DRAWING			
2 PLACES ± 0.13				INITIAL REVISION:									
1 PLACE ± 0.25				DRWN: JBINGHAM 2016/08/25						DOCUMENT NUMBER SD-171450-5000			
0 PLACES ±				APPR: JBINGHAM 2016/09/07									
DRAFT WHERE APPLICABLE MUST REMAIN WITHIN DIMENSIONS		THIRD ANGLE PROJECTION		DRAWING		SERIES		MATERIAL NUMBER		CUSTOMER		SHEET NUMBER	
				B-SIZE		171450		SEE CHART		GENERAL MARKET		4 OF 8	

DOCUMENT STATUS	P1	RELEASE DATE	2019/09/06	02:51:33
-----------------	----	--------------	------------	----------

PCB LAYOUT - 82 CKT



PCB LAYOUT (COMPONENT SIDE)
 SOLDER PASTE THICKNESS: 0.15 MIN
 DATUM **A** IS THE BOTTOM SURFACE OF THE PCB

- NOTES:**
- PIN NUMBERING IS FOR REFERENCE ONLY. OTHER PIN NUMBERS WILL NOT AFFECT THE OPERATION OF THE CONNECTOR.
 - RETENTION NAIL MUST BE SOLDERED ONTO THE PCB FOR PROPER CONNECTOR FUNCTION.

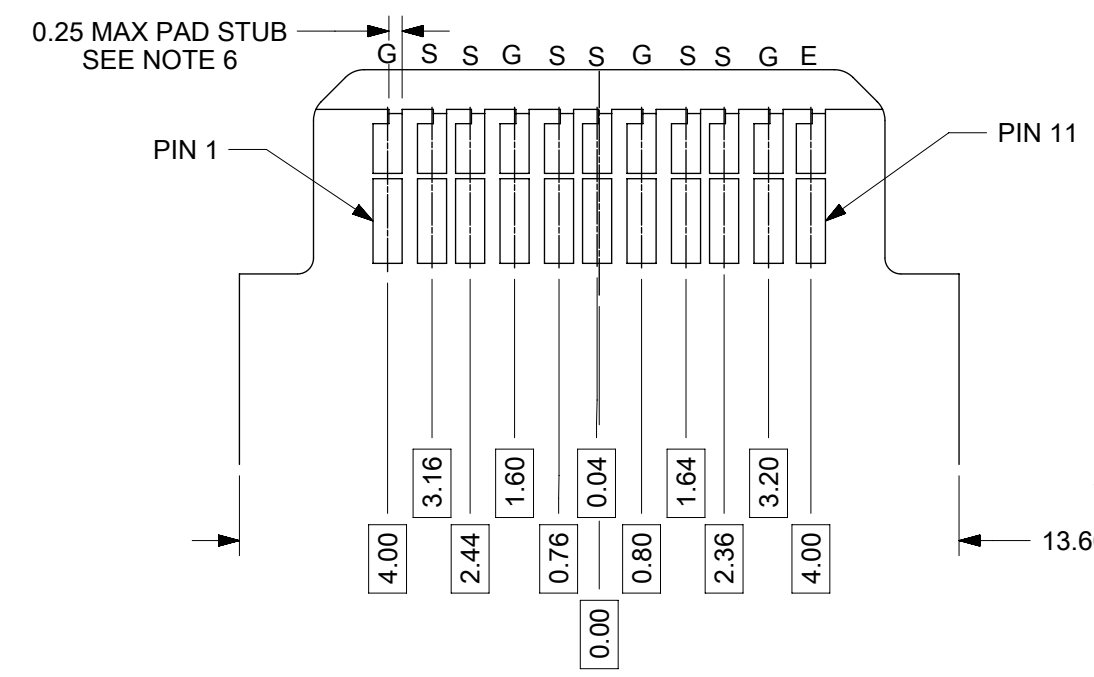
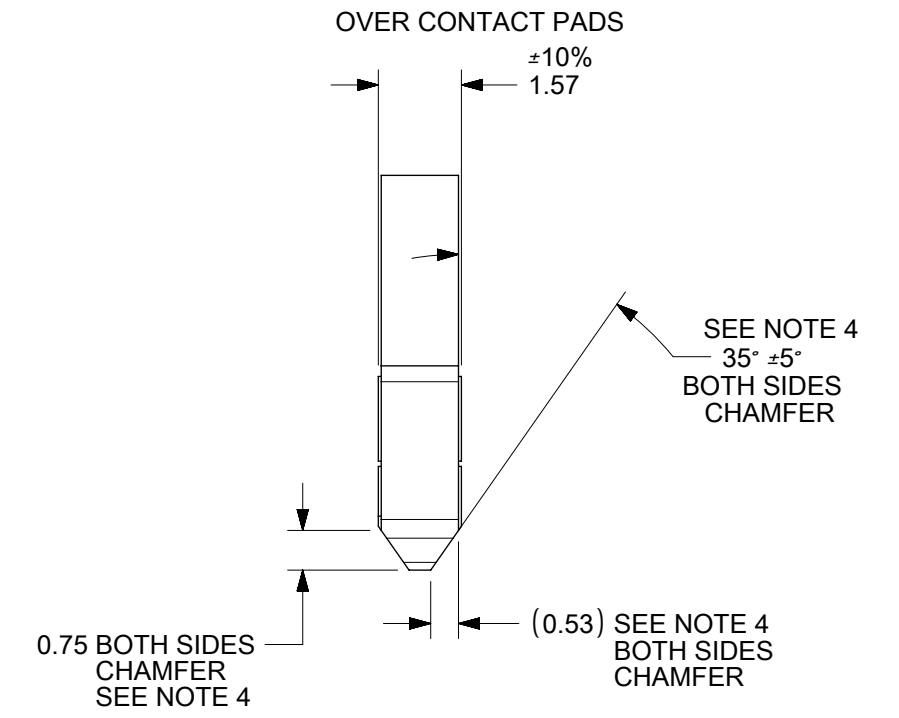
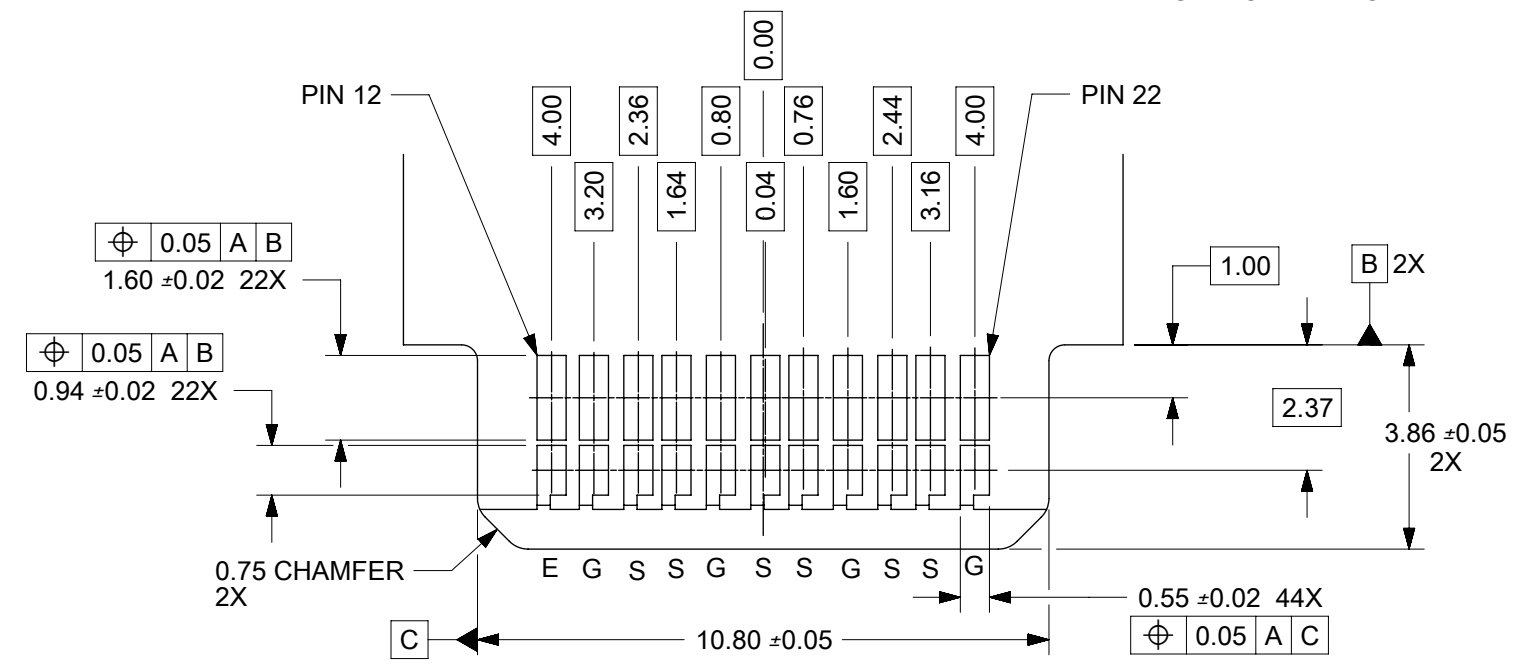
THIS DRAWING CONTAINS INFORMATION THAT IS PROPRIETARY TO MOLEX ELECTRONIC TECHNOLOGIES, LLC AND SHOULD NOT BE USED WITHOUT WRITTEN PERMISSION												
DIMENSION UNITS		SCALE		CURRENT REV DESC: ADD -5105						molex		
mm		6:1										
GENERAL TOLERANCES (UNLESS SPECIFIED)				EC NO: 623611		2019/09/03		SPEEDSTACK RECEPTACLE ASSEMBLY SALES DRAWING				
ANGULAR TOL ± 0.5°				DRWN: JBINGHAM		2019/09/06						
4 PLACES ±				CHK'D: KLANG		2019/09/06		PRODUCT CUSTOMER DRAWING				
3 PLACES ±				APPR: KLANG		2019/09/06						
2 PLACES ± 0.13				INITIAL REVISION:				DOCUMENT NUMBER		DOC TYPE	DOC PART	REVISION
1 PLACE ± 0.25				DRWN: JBINGHAM		2016/08/25		SD-171450-5000		PSD	001	B
0 PLACES ±				APPR: JBINGHAM		2016/09/07		MATERIAL NUMBER		CUSTOMER		SHEET NUMBER
DRAFT WHERE APPLICABLE MUST REMAIN WITHIN DIMENSIONS				THIRD ANGLE PROJECTION		DRAWING		SERIES		SEE CHART		GENERAL MARKET
				B-SIZE		171450						5 OF 8

DOCUMENT STATUS	P1	RELEASE DATE	2019/09/06	02:51:33
-----------------	----	--------------	------------	----------

EDGECARD LAYOUT - 22 CKT

FRONT SIDE

DATUM **A** IS THE OPPOSITE SIDE OF THE PCB



BACK SIDE

DATUM **A** IS THE OPPOSITE SIDE OF THE PCB

PINOUT LEGEND		
E	=	EXTRA
G	=	GROUND
S	=	SIGNAL

- NOTES:**
- PIN NUMBERING IS FOR REFERENCE ONLY. OTHER PIN NUMBERS WILL NOT AFFECT THE OPERATION OF THE CONNECTOR.
 - EDGE CARD SHOULDERS STOP ON RECEPTACLE SHOULDERS. EDGE CARD BOTTOM DOES NOT CONTACT RECEPTACLE PCB.
 - PAD SET BACK FROM CHAMFER ENOUGH TO ACCOMMODATE LARGEST CHAMFER WITHOUT DAMAGE TO PAD EDGE.
 - CHAMFER DEPTH SHOULD BE AS LARGE AS PRACTICAL TO ENSURE CORRECT MATING TO THE RECEPTACLE.
 - ALL CHAMFERED EDGES SHOULD BE ROUNDED WHERE POSSIBLE.
 - INTERNAL PLATING BRIDGES ARE PREFERRED TO ELIMINATE PAD STUB.

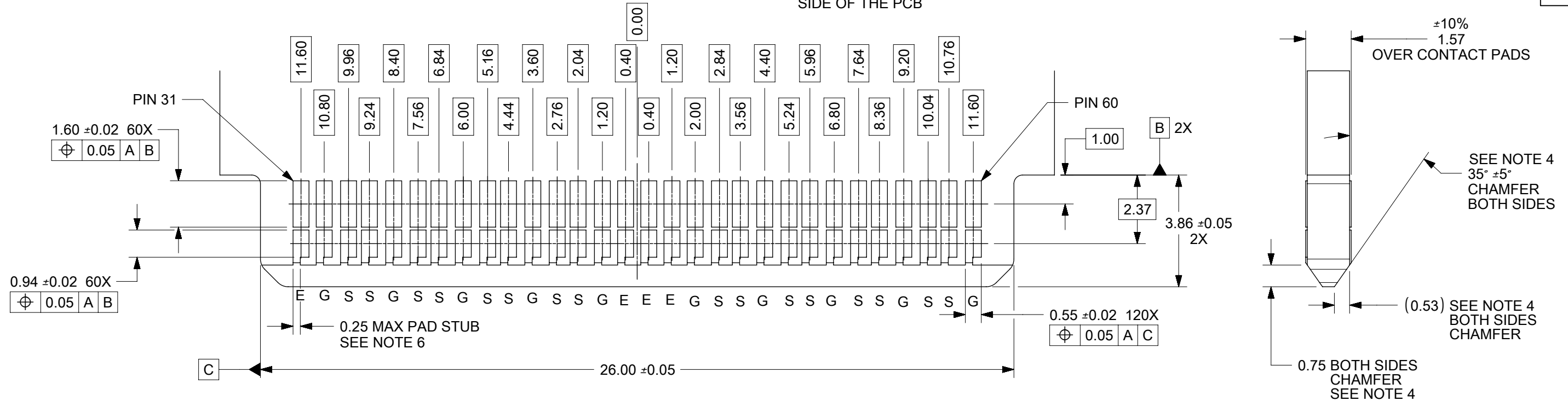
THIS DRAWING CONTAINS INFORMATION THAT IS PROPRIETARY TO MOLEX ELECTRONIC TECHNOLOGIES, LLC AND SHOULD NOT BE USED WITHOUT WRITTEN PERMISSION										
DIMENSION UNITS	SCALE	CURRENT REV DESC: ADD -5105								
mm	7:1	<p>SPEEDSTACK RECEPTACLE ASSEMBLY SALES DRAWING</p> <p>PRODUCT CUSTOMER DRAWING</p>								
GENERAL TOLERANCES (UNLESS SPECIFIED)										
ANGULAR TOL	± 0.5°									
4 PLACES	±									
3 PLACES	±									
2 PLACES	± 0.13	EC NO: 623611	2019/09/03		DOCUMENT NUMBER			DOC TYPE	DOC PART	REVISION
1 PLACE	± 0.25	DRWN: JBINGHAM	2016/08/25		SD-171450-5000			PSD	001	B
0 PLACES	±	CHK'D: KLANG	2019/09/06		MATERIAL NUMBER			CUSTOMER		SHEET NUMBER
DRAFT WHERE APPLICABLE MUST REMAIN WITHIN DIMENSIONS		APPR: KLANG	2019/09/06		SEE CHART		GENERAL MARKET		6 OF 8	
THIRD ANGLE PROJECTION		DRAWING	SERIES	MATERIAL NUMBER		CUSTOMER		SHEET NUMBER		
B-SIZE		171450	SEE CHART		GENERAL MARKET		6 OF 8			

EDGECARD LAYOUT - 60 CKT

FRONT SIDE

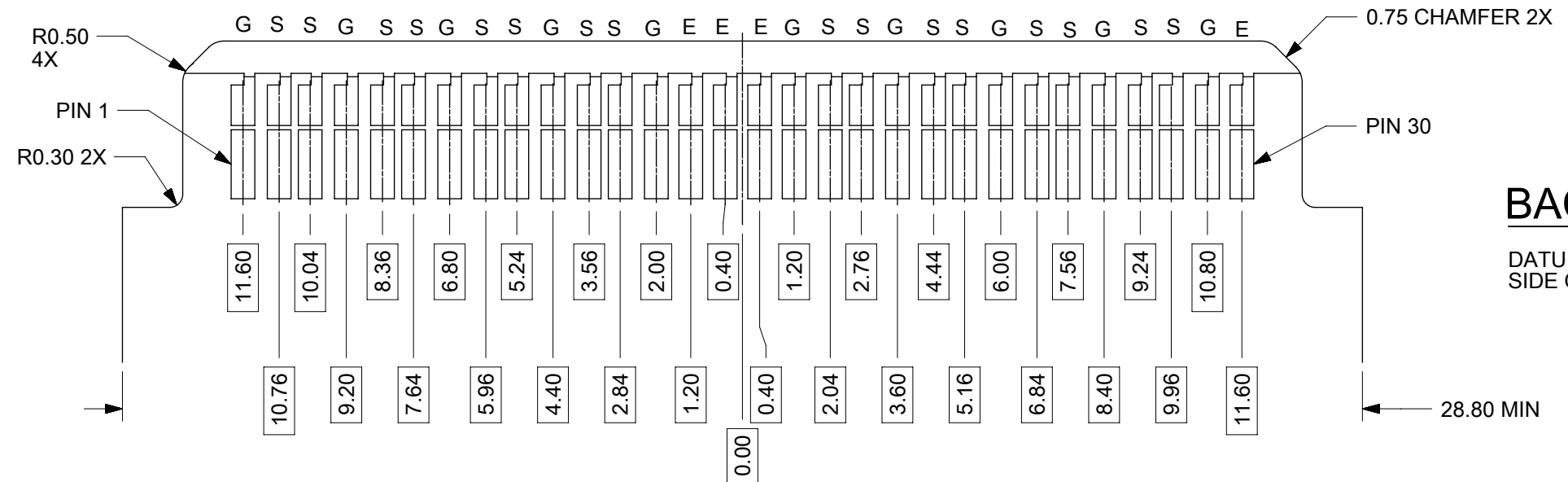
DATUM **A** IS THE OPPOSITE SIDE OF THE PCB

PINOUT LEGEND	
E	= EXTRA
G	= GROUND
S	= SIGNAL



BACK SIDE

DATUM **A** IS THE OPPOSITE SIDE OF THE PCB



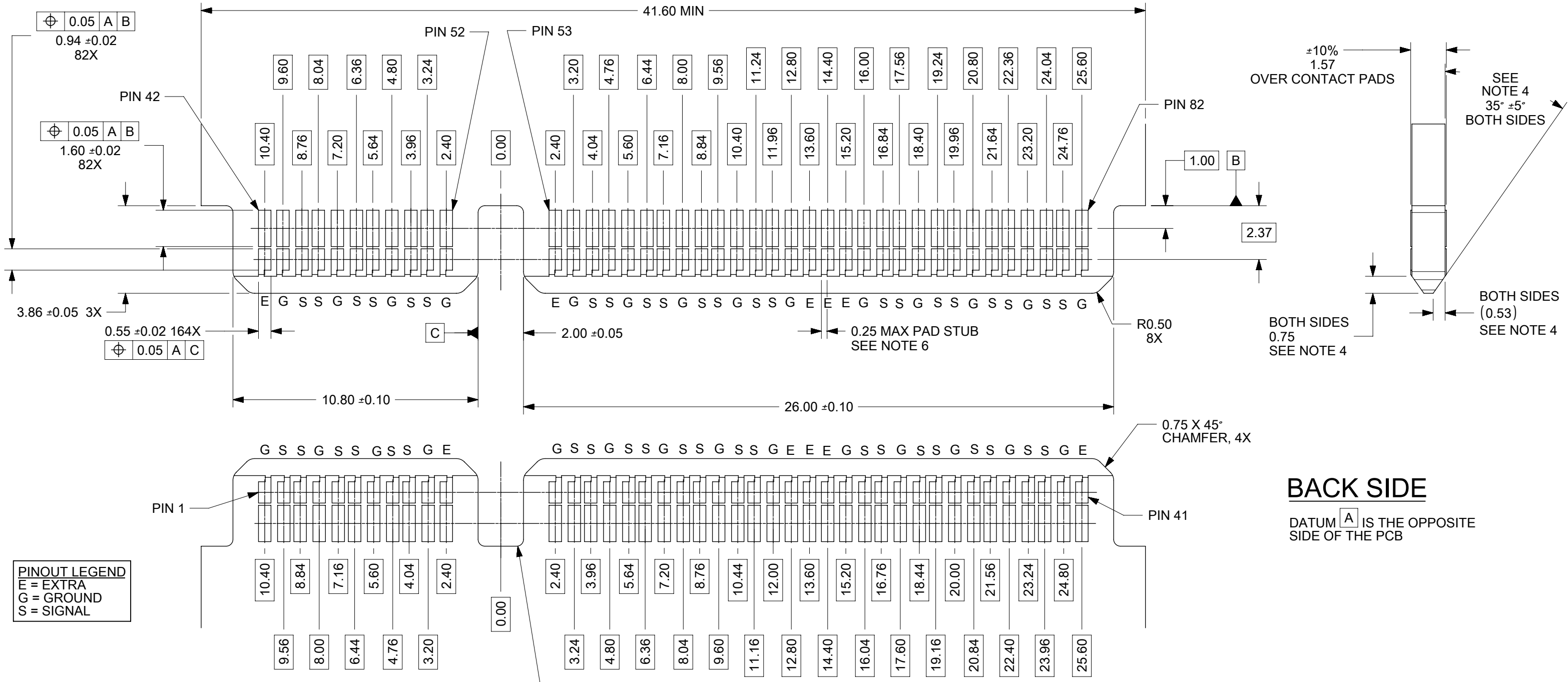
- NOTES:**
- PIN NUMBERING IS FOR REFERENCE ONLY. OTHER PIN NUMBERS WILL NOT AFFECT THE OPERATION OF THE CONNECTOR.
 - EDGE CARD SHOULDERS STOP ON RECEPTACLE SHOULDERS. EDGE CARD BOTTOM DOES NOT CONTACT RECEPTACLE PCB.
 - PAD SET BACK FROM CHAMFER ENOUGH TO ACCOMMODATE LARGEST CHAMFER WITHOUT DAMAGE TO PAD EDGE.
 - CHAMFER DEPTH SHOULD BE AS LARGE AS PRACTICAL TO ENSURE CORRECT MATING TO THE RECEPTACLE.
 - ALL CHAMFERED EDGES SHOULD BE ROUNDED WHERE POSSIBLE.
 - INTERNAL PLATING BRIDGES ARE PREFERRED TO ELIMINATE PAD STUB.

THIS DRAWING CONTAINS INFORMATION THAT IS PROPRIETARY TO MOLEX ELECTRONIC TECHNOLOGIES, LLC AND SHOULD NOT BE USED WITHOUT WRITTEN PERMISSION																													
DIMENSION UNITS	SCALE	CURRENT REV DESC: ADD -5105																											
mm	7:1	<table border="1"> <tr> <td colspan="4">molex</td> </tr> <tr> <td colspan="4">SPEEDSTACK RECEPTACLE ASSEMBLY SALES DRAWING</td> </tr> <tr> <td colspan="4">PRODUCT CUSTOMER DRAWING</td> </tr> <tr> <td>DOCUMENT NUMBER</td> <td>DOC TYPE</td> <td>DOC PART</td> <td>REVISION</td> </tr> <tr> <td>SD-171450-5000</td> <td>PSD</td> <td>001</td> <td>B</td> </tr> </table>								molex				SPEEDSTACK RECEPTACLE ASSEMBLY SALES DRAWING				PRODUCT CUSTOMER DRAWING				DOCUMENT NUMBER	DOC TYPE	DOC PART	REVISION	SD-171450-5000	PSD	001	B
molex																													
SPEEDSTACK RECEPTACLE ASSEMBLY SALES DRAWING																													
PRODUCT CUSTOMER DRAWING																													
DOCUMENT NUMBER	DOC TYPE									DOC PART	REVISION																		
SD-171450-5000	PSD	001	B																										
GENERAL TOLERANCES (UNLESS SPECIFIED)		EC NO: 623611		2019/09/03																									
ANGULAR TOL ± 0.5°		DRWN: JBINGHAM		2019/09/06																									
4 PLACES ±		CHK'D: KLANG		2019/09/07																									
3 PLACES ±		APPR: KLANG																											
2 PLACES ± 0.13		INITIAL REVISION:																											
1 PLACE ± 0.25		DRWN: JBINGHAM		2016/08/25																									
0 PLACES ±		APPR: JBINGHAM		2016/09/07																									
DRAFT WHERE APPLICABLE MUST REMAIN WITHIN DIMENSIONS	THIRD ANGLE PROJECTION	DRAWING	SERIES	MATERIAL NUMBER	CUSTOMER	SHEET NUMBER																							
		B-SIZE	171450	SEE CHART	GENERAL MARKET	7 OF 8																							

FRONT SIDE

EDGECARD LAYOUT - 82 CKT

DATUM **A** IS THE OPPOSITE SIDE OF THE PCB



PINOUT LEGEND
 E = EXTRA
 G = GROUND
 S = SIGNAL

- NOTES:**
- PIN NUMBERING IS FOR REFERENCE ONLY. OTHER PIN NUMBERS WILL NOT AFFECT THE OPERATION OF THE CONNECTOR.
 - EDGE CARD SHOULDERS STOP ON RECEPTACLE SHOULDERS. EDGE CARD BOTTOM DOES NOT CONTACT RECEPTACLE PCB.
 - PAD SET BACK FROM CHAMFER ENOUGH TO ACCOMMODATE LARGEST CHAMFER WITHOUT DAMAGE TO PAD EDGE.
 - CHAMFER DEPTH SHOULD BE AS LARGE AS PRACTICAL TO ENSURE CORRECT MATING TO THE RECEPTACLE.
 - ALL CHAMFERED EDGES SHOULD BE ROUNDED WHERE POSSIBLE.
 - INTERNAL PLATING BRIDGES ARE PREFERRED TO ELIMINATE PAD STUB.

BACK SIDE

DATUM **A** IS THE OPPOSITE SIDE OF THE PCB

THIS DRAWING CONTAINS INFORMATION THAT IS PROPRIETARY TO MOLEX ELECTRONIC TECHNOLOGIES, LLC AND SHOULD NOT BE USED WITHOUT WRITTEN PERMISSION											
DIMENSION UNITS mm		SCALE 6:1		CURRENT REV DESC: ADD -5105							
GENERAL TOLERANCES (UNLESS SPECIFIED)		ANGULAR TOL ± 0.5°		EC NO: 623611		2019/09/03		SPEEDSTACK			
4 PLACES ±		3 PLACES ±		DRWN: JBINGHAM		2019/09/06		RECEPTACLE ASSEMBLY SALES DRAWING			
2 PLACES ± 0.13		1 PLACE ± 0.25		CHK'D: KLANG		2019/09/06		PRODUCT CUSTOMER DRAWING			
0 PLACES ±		DRAFT WHERE APPLICABLE MUST REMAIN WITHIN DIMENSIONS		APPR: KLANG		2019/09/06		DOCUMENT NUMBER			
THIRD ANGLE PROJECTION		DRAWING		INITIAL REVISION:		2016/08/25		SD-171450-5000			
B-SIZE		SERIES		DRWN: JBINGHAM		2016/09/07		DOC TYPE			
171450		MATERIAL NUMBER		APPR: JBINGHAM		2016/09/07		DOC PART			
SEE CHART		CUSTOMER		GENERAL MARKET		8 OF 8		REVISION			
PSD		001		B							