

# Instructions and Parts List

## Scotch™ BRAND H-131 One-Hand Filament Tape Applicator Model 27300

**Description:** The H-131 One-Hand Filament Tape Applicator is designed primarily for "L" clip and "C" clip tape applications for closing and reinforcing boxes with "Scotch" brand Filament Tape. The use of this applicator provides a quick and easy one-hand method to apply, cut and buff tape clips with 2 inch [50 mm] minimum leg lengths.

### Specifications

**Tape:** "Scotch" brand Pressure-sensitive Filament Tape  
No. 898 — 60 yds. or 55 m

**Tape Width:** 3/4 inch or 18 mm maximum  
3/8 inch or 9 mm minimum

**Tape Roll Diameter:** 5-1/2 inches [140 mm] maximum  
on a 3 inch [76.2 mm] diameter core

#### Overall Dimensions:

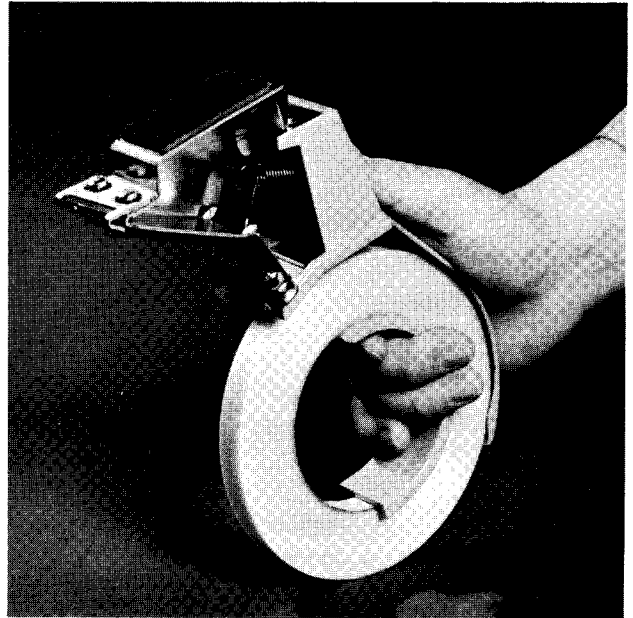
Length: 7-3/4 inches [195 mm]

Height: 5-7/16 inches [138 mm]

Width: 1-3/4 inches [45 mm]

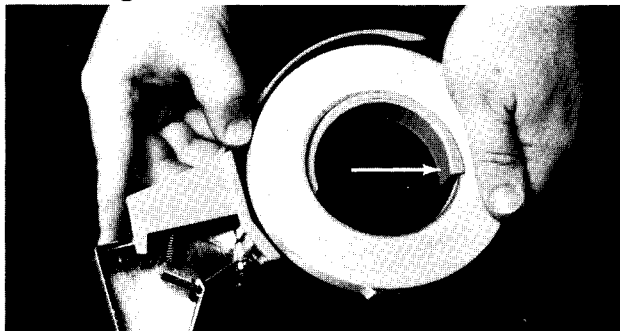
Weight: 12 ounces [340.2 g] packaged  
8 ounces [226.8 g] unpackaged

**Tape Length Dispensed:** Applied tape length when used as directed: "L" Clip Tape Application —  
Initial leg length: 2-1/4 ± 1/4 inches [57 ± 6 mm].  
Final leg length: approximately 2-1/4 inches or 55 mm.

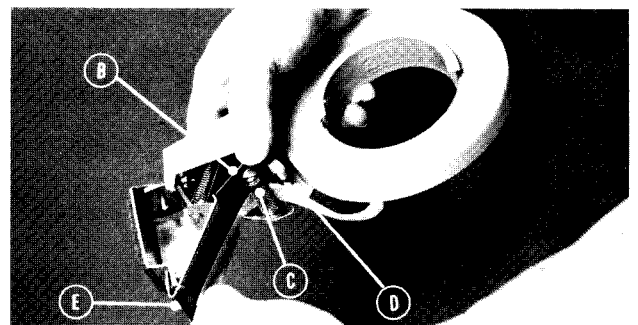


H-131 One-Hand Filament Tape Applicator,  
Model 27300.

### Loading Instructions

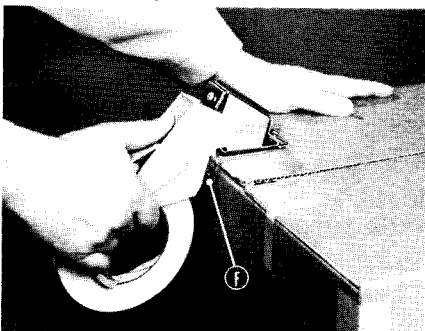


**Figure 1** — Lift up on brake (A), start roll over back edge of H-131 tape roll grip as shown by arrow. Push tape roll forward and press down to fully mount tape roll.



**Figure 2** — Pull 4 - 6 inches or 100 - 150 mm of tape from the roll, hold the tension arm (B) open and thread the tape over the knurled roller (C) as shown. Apply tension to the brake to hold the roll, pull the tape forward to snap the tape into the guide slot (D). Release the tension arm, and turn back the roll so the tape lead end is even with the cut off blade (E) and the tape is flat on the buff pad. Dispenser is ready to use.

### Operating Instructions



**Figure 3** — "L" Clip Application — Bring the H-131 with tape down onto the top flap so the ski (F) is squarely against the side of the box as shown. Pull the H-131 straight forward, pressing downward to buff the tape to the box.



**Figure 4** — Pull the H-131 over the box edge to dispense about 2 inches [50 mm] of tape as shown. Apply tension on the brake, tilt the H-131 upward, and tack the tape to the side of the box with the top buff pad to form a tight seal.



**Figure 5** — With brake tension on the tape roll, push the H-131 straight downward to cut the tape and buff it against the box to complete the application.

## How To Replace The Blade

**WARNING** – Use care when working near the blade as blade is extremely sharp.

1. Loosen, but do not remove screws to remove used blade.
2. Install replacement blade with beveled cutting edge toward tape roll.
3. Seat blade on screws and center on blade clamp.
4. Tighten mounting to secure blade.

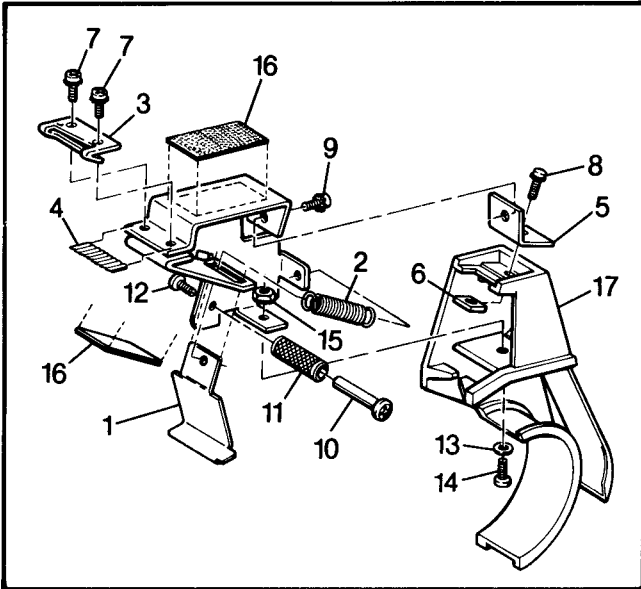


Figure 6 — Replacement Parts.

## Maintenance

**Lubrication** — Add one drop of SAE No. 20 oil to knurled roller shaft every 90 days.

## Replacement Parts List

Ref. No.	Part Number	Description
1	70-8000-2978-0	Arm, Tension
2	70-8000-2980-6	Spring
3	70-8000-2983-0	Clamp, Blade
4	70-7012-6380-1	Blade, Corrugated
5	70-8000-3081-2	Bracket, Holding
6	18-1730-1803-9	Nut, Sq. 8-32
7	70-8000-4979-6	Screw, Mach. Sems Pan Hd. Phillips 8-32 x 5/16 lg. with int. tooth lock washers
8	70-8000-4981-2	Screw, Mach. Sems Pan Hd. Phillips 8-32 x 1/2 lg. with ext. tooth lock washers
9	70-8000-4980-4	Screw, Sems Thread Cutting Pan Hd. Phillips, Type 23 (T) with ext. tooth lock washers, #8-32 x 3/8 lg.
10	70-8000-4202-3	Shaft, Tape Roll
11	70-7011-1150-5	Tape Roll - Knurled
12	70-8000-5110-7	Screw, Tape Roll Shaft
13	18-9813-0810-1	Washer, Plain, SAE #8
14	70-8000-1978-1	Screw, Mach. Pan Hd. Phillips, #8-32 x 7/16 lg.
15	18-1749-1803-9	Nut-Washer Assy. 8-32 "SHAKE-PROOF" #511-081800-00
16	78-8014-1759-9	Pad, Buffing
17	70-8000-4271-8	Frame Assy.

## How To Order Replacement Parts

1. Refer to Figure 6 to find part needed and reference number.
2. Refer to parts list for correct part number.
3. Order by **part number, description, dispenser name and model number.**

4. Replacement parts and part prices available direct from:

### 3M/Tape Dispenser Parts

241 Venture Drive  
Amery, WI 54001-1325

800/344 9883

Fax # 715/268 8153

**Minimum billing on parts orders will be \$25.00. Replacement part prices available on request. \$10.00 restocking charge per invoice on returned parts.**

Equipment Warranty and Limited Remedy: THE FOLLOWING WARRANTY IS MADE IN LIEU OF ALL OTHER WARRANTIES, EXPRESS OR IMPLIED, INCLUDING, BUT NOT LIMITED TO, THE IMPLIED WARRANTY OF FITNESS FOR A PARTICULAR PURPOSE AND ANY IMPLIED WARRANTY ARISING OUT OF A COURSE OF DEALING, A CUSTOM OR USAGE OF TRADE:

**3M warrants that its Scotch™ brand dispensers will be free from defects for ninety (90) days after delivery. If any part is proved to be defective within the warranty period, then the exclusive remedy and 3M's and seller's sole obligation shall be, at 3M's option, to repair or replace the part, provided the defective part is returned immediately to 3M's factory or an authorized service station designated by 3M. A part will be presumed to have become defective after the warranty period unless the part is received or 3M is notified of the problem no later than five (5) calendar days after the warranty period. If 3M is unable to repair or replace the part within a reasonable time, then 3M, at its option, will replace the equipment or refund the purchase price.**

**Limitation of Liability: 3M and seller shall not be liable for direct, indirect, special, incidental or consequential damages based upon breach of warranty, breach of contract, negligence, strict liability or any other legal theory.**

**The foregoing Equipment Warranty and Limited Remedy and Limitation of Liability may be changed only by a written agreement signed by authorized officers of 3M and seller.**

# 3M

3M Packaging Systems Division

3M Center, Building 220-8W-01  
St. Paul, MN 55144-1000

"Scotch" is a trademark of 3M,  
St. Paul, Minnesota 55144-1000

Litho U.S.A.

© 3M 1998 34-7004-7176-5(M038.0)