

4

3

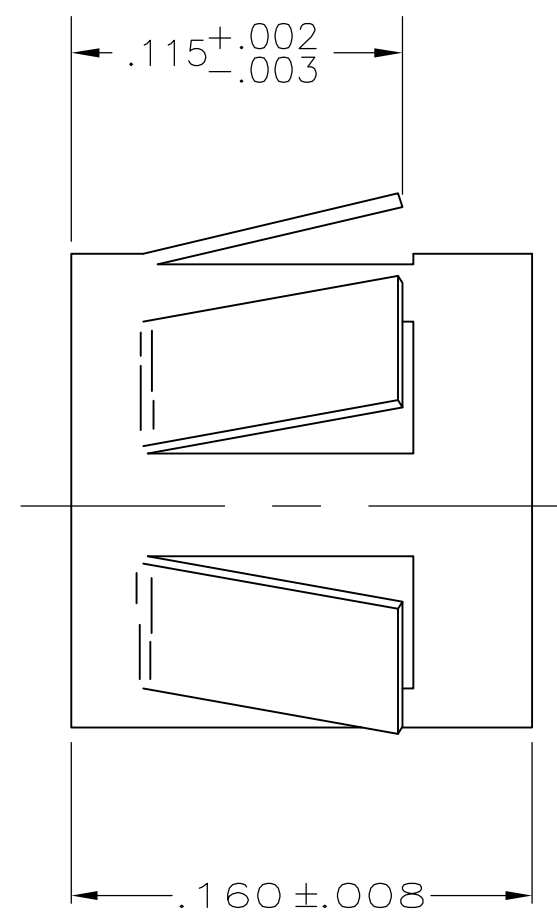
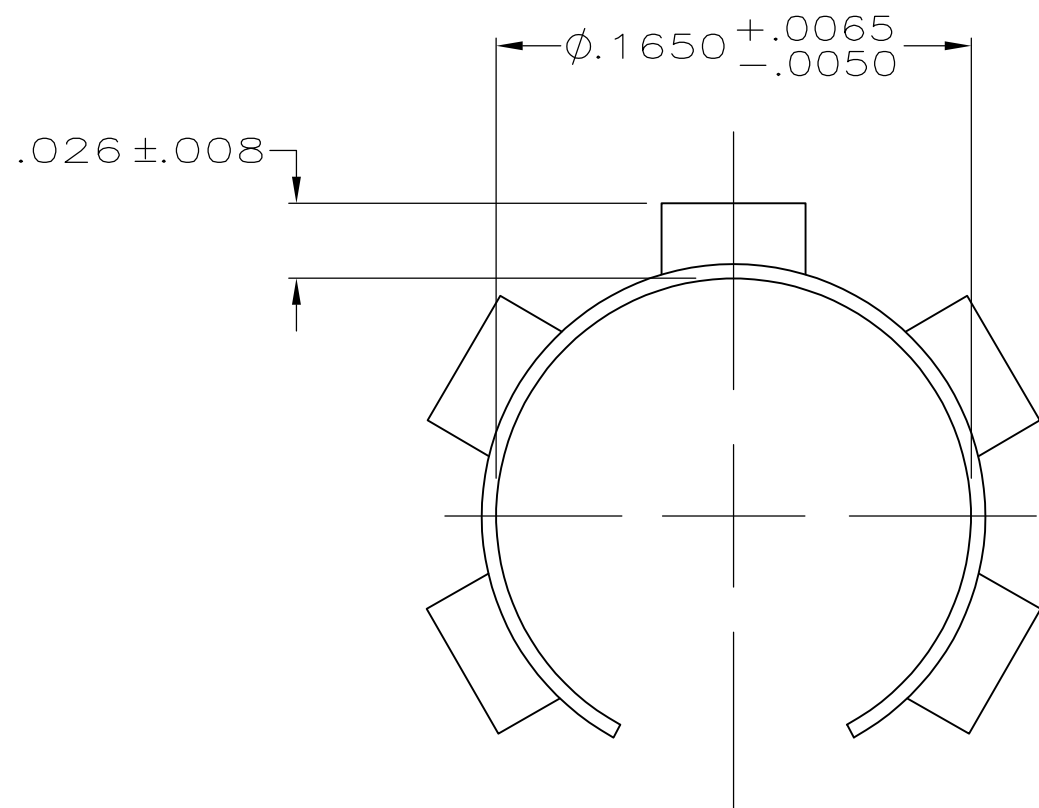
2

1

THIS DRAWING IS UNPUBLISHED. RELEASED FOR PUBLICATION
 © COPYRIGHT BY TYCO ELECTRONICS CORPORATION. ALL INTERNATIONAL RIGHTS RESERVED.

LOC	DIST	REVISIONS					
AJ	16	P	LTR	DESCRIPTION	DATE	DWN	APVD
		S		REVISED PER ECO-10-007735	13APR10	HMR	WK

1 STAINLESS STEEL PER QQ-S-766



201142-2
PART NO

THIS DRAWING IS A CONTROLLED DOCUMENT.		DWN J.KURTZ 2/21/90	Tyco Electronics Corporation Harrisburg, PA 17105-3608	
DIMENSIONS: INCHES		CHK D.LAMAN 3-9-90	NAME SPRING,RETENTION	
TOLERANCES UNLESS OTHERWISE SPECIFIED:		APVD M.SNEED 3-12-90	PRODUCT SPEC	
0 PLC ± -		APPLICATION SPEC		
1 PLC ± -		SIZE A3		
2 PLC ± -		CAGE CODE 00779		
3 PLC ± .005		DRAWING NO C-201142		
4 PLC ± -		RESTRICTED TO -		
ANGLES ± -		WEIGHT .000107 LB		
MATERIAL 1		CUSTOMER DRAWING		
FINISH -		SCALE 15:1		
		SHEET 1 OF 1		
		REV S		