

INJ-C200G-60-24-T-AIX

Industrial IEEE 802.3bt Gigabit Type 3 4PPoE Injector;
EOT: -40°C ~ 75°C - This injector is designed for use with Axis Q6055-e MKii PTZ camera requiring High Power (up to 60 watts)



Features

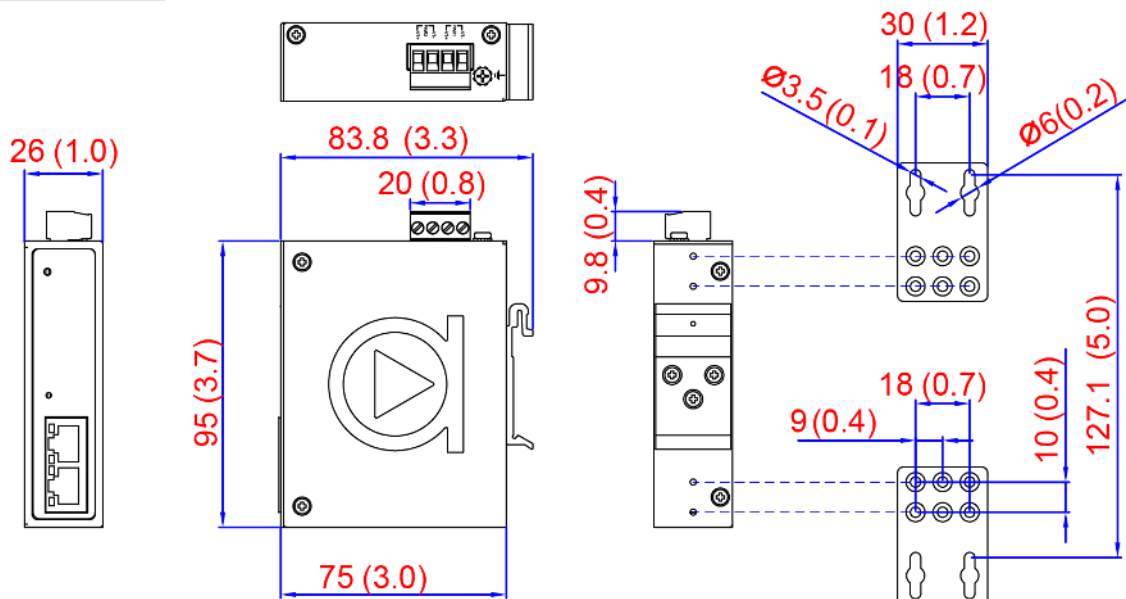
- ▶ Supports 10/100/1000Tx for PoE & Data Out
- ▶ Provide Data and Power over Ethernet to Power Device
- ▶ Provides up to 60 Watts on PoE Port
- ▶ Allows Power Input of 9~48VDC
- ▶ IP30 Protection
- ▶ Operating Temperature Range (– EOT): -40° to 75°C
- ▶ DIN-Rail or Wall Mountable
- ▶ 5-Year Warranty

INTRODUCTION

Antaira Technologies' INJ-C200G-60-24-T-AIX is an industrial high-power Power over Ethernet (PoE) injector. By utilizing multiple pairs of pins on the RJ45 cable this industrial grade PoE injector is capable of providing up to 60 Watts of power to end devices.

The INJ-C200G-60-24-T-AIX is IP30 rated, DIN-rail mountable, and supports an extended temperature of -40°C to 75°C, making it ideal for outdoor or harsh industrial applications.

DIMENSIONS



Unit: mm (inch)

Din-rail

Wall-mount

SPECIFICATIONS

Technology		Power Requirement	
Standards	IEEE 802.3 10BaseT Ethernet IEEE 802.3u 100BaseTX Fast Ethernet IEEE 802.3ab 1000BaseT(X)	Input Voltage	9~48VDC, Power Inputs
Switch Properties		Power Connection	4-pin terminal block
Transfer Rate	14,880pps for Ethernet Port 148,800pps for Fast Ethernet Port 1,488,000pps for Gigabit Ethernet Port	Reverse Polarity Protection	Present
Interface		Overload Current Protection	Present
Ethernet Port	2*10/100/1000BaseT(X) (1*Data IN, 1*PoE OUT)	Power Consumption	5Watts for system
PoE Port Pin Assignment	V+ for pin 3, 4, 5, 6 V- for pin 1, 2, 7, 8	PoE Power Output	60W max. per PoE port
LED Indicators	Power and PoE	Max. PoE Power Budget	60Watts
Mechanical Characteristics		Environmental Limits	
Housing	Metal, IP30 protection	Operating Temperature	EOT: -40°C ~ 75°C
Dimensions	26 x 95 x 75 mm (W x H x D)	Storage Temperature	-40°C ~ 85°C
Weight	Unit: 0.60 lbs. Shipping: 1.0 lbs.	Ambient Relative Humidity	5% to 95%, (non-condensing)
Mounting	DIN-Rail Mounting, Wall Mounting	Regulatory Approvals	
		EMI	CE, FCC Class A EN61000-6-4, EN61000-6-2, EN61000-4-2 (ESD), EN61000-4-3 (RS), EN61000-4-4 (EFT), EN61000-4-5 (Surge), EN61000-4-6 (CS), EN61000-4-8 (Magnetic Field)
		Free Fall	IEC60068-2-32
		Shock	IEC60068-2-27
		Vibration	IEC60068-2-6
		Green	RoHS Compliant
		Certifications	FCC, CE
		Warranty	5 Years

ORDERING INFO

INJ-C200G-60-24-T-AIX	Industrial IEEE 802.3bt Gigabit Type 3 4PPoE Injector; EOT: -40°C ~ 75°C - This injector is designed for use with Axis Q6055-e MKii PTZ camera requiring High Power (up to 60 watts)
------------------------------	--