

1757851-1 ✓ ACTIVE

## AMP SMA

TE Internal #: 1757851-1

SMA RF Interface, Plug, 50  $\Omega$ , RG 180 / RG 195, Threaded, 4 GHz  
Operating Frequency, Cable-to-Panel / Cable-to-Board / Cable-to-  
Cable, AMP SMA

[View on TE.com >](#)



Connectors > RF Connectors > Coax Connectors



RF Interface: **SMA**

RF Connector Style: **Plug**

RF Connector Mated Outer Diameter (Approximate): **8.99 mm [ .354 in ]**

Impedance: **50  $\Omega$**

Compatible With RF Cable Type: **RG 180, RG 195**

## Features

### Product Type Features

Connector Product Type	Connector Kit
Connector Seal & Plug Type	Interfacial Seal
RF Interface	SMA
RF Connector Style	Plug
Compatible With RF Cable Type	RG 180, RG 195
Connector System	Cable-to-Board, Cable-to-Cable, Cable-to-Panel
Connector & Contact Terminates To	Wire & Cable

### Configuration Features

Number of Positions	1
Number of Coaxial Contacts	1

### Electrical Characteristics

Impedance	50 $\Omega$
-----------	-------------

### Body Features

Cable Connector Orientation	Straight
Body Material	Stainless Steel
Body Material Finish	Passivated

### Contact Features

RF Connector Center Contact Underplating Material	Copper, Nickel
RF Connector Center Contact Plating Thickness	1.27 μm[50 μin]
Ferrule Plating Material	Gold
Ferrule Material	Brass/Copper
RF Connector Center Contact Plating Material	Gold
RF Connector Center Contact Material	Brass

### Termination Features

Termination Method to Wire & Cable	Crimp & Solder
------------------------------------	----------------

### Mechanical Attachment

RF Connector Coupling Mechanism	Threaded
Connector Mounting Type	Cable Mount (Free-Hanging)
RF Contact Captivation Method	Solder

### Dimensions

RF Connector Mated Outer Diameter (Approximate)	8.99 mm[.354 in]
---	------------------

### Usage Conditions

Operating Temperature Range	-65 – 165 °C[-85 – 329 °F]
-----------------------------	----------------------------

### Operation/Application

Operating Frequency	4 GHz
Circuit Application	Signal

### Packaging Features

Packaging Method	Bag
------------------	-----

### Other

Dielectric Material	PTFE
---------------------	------

### Product Compliance

[For compliance documentation, visit the product page on TE.com>](#)

EU RoHS Directive 2011/65/EU	Compliant with Exemptions
EU ELV Directive 2000/53/EC	Compliant with Exemptions
China RoHS 2 Directive MIIT Order No 32, 2016	Restricted Materials Above Threshold
EU REACH Regulation (EC) No. 1907/2006	Current ECHA Candidate List: JUNE 2023 (235)



Candidate List Declared Against: JAN 2021 (211)

SVHC > Threshold:

Pb (3.7% in base metal alloy)

**Article Safe Usage Statements:**

Do not eat, drink or smoke when using this product. Wash thoroughly after handling. Recycle if possible and dispose of the article by following all applicable governmental regulations relevant to your geographic location.

Halogen Content

Low Bromine/Chlorine - Br and Cl < 900 ppm per homogenous material. Also BFR /CFR/PVC Free

Solder Process Capability

Not applicable for solder process capability

**Product Compliance Disclaimer**

This information is provided based on reasonable inquiry of our suppliers and represents our current actual knowledge based on the information they provided. This information is subject to change. The part numbers that TE has identified as EU RoHS compliant have a maximum concentration of 0.1% by weight in homogenous materials for lead, hexavalent chromium, mercury, PBB, PBDE, DBP, BBP, DEHP, DIBP, and 0.01% for cadmium, or qualify for an exemption to these limits as defined in the Annexes of Directive 2011/65/EU (RoHS2). Finished electrical and electronic equipment products will be CE marked as required by Directive 2011/65/EU. Components may not be CE marked. Additionally, the part numbers that TE has identified as EU ELV compliant have a maximum concentration of 0.1% by weight in homogenous materials for lead, hexavalent chromium, and mercury, and 0.01% for cadmium, or qualify for an exemption to these limits as defined in the Annexes of Directive 2000/53/EC (ELV). Regarding the REACH Regulation, the information TE provides on SVHC in articles for this part number is based on the latest European Chemicals Agency (ECHA) 'Guidance on requirements for substances in articles' posted at this URL: <https://echa.europa.eu/guidance-documents/guidance-on-reach>

## Compatible Parts



TE Part # 1053372-1  
2062 8001 90,OSM JACK, QPL



TE Part # 2081573-1  
SMA JACK PCBCONN,EDGE MOUNT

## Also in the Series | AMP SMA



Battery Holders(1)



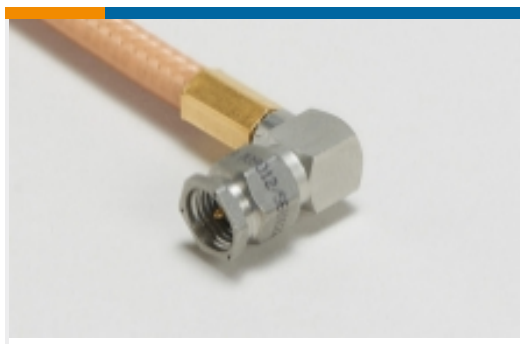
Coax Connectors(296)



Connector Savers & Adapters(12)



Rack & Panel Ferrules & Inserts(1)



RF Cable Assemblies(2)



RF Connector Hardware(2)



RF Connector Launchers(8)

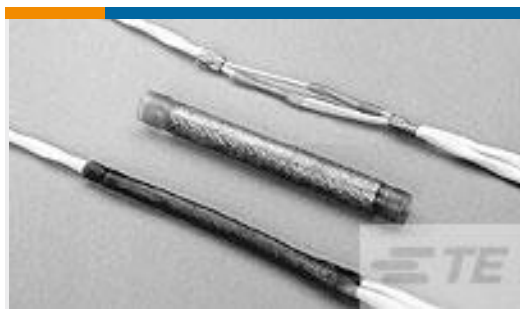


RF Connector Shrouds(3)



RF Terminators(1)

### Customers Also Bought



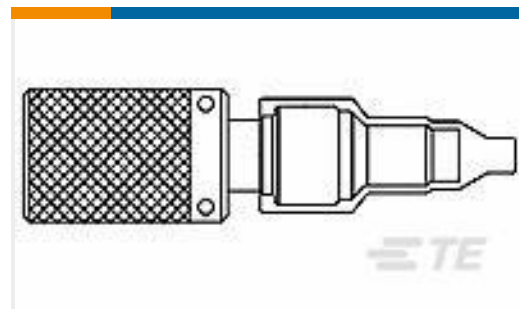
TE Part #688489-000  
D-150-0181



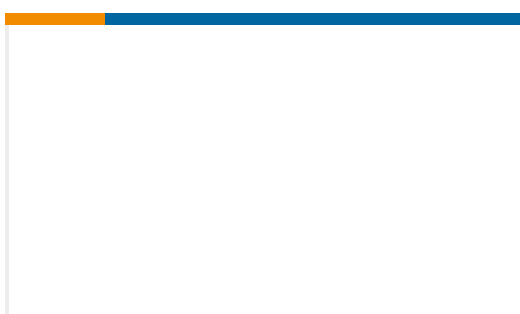
TE Part #650075-000  
D-436-37



TE Part #0641-1-2031L  
CONT PIN



TE Part #018591-000  
DK-621-0011-S



TE Part #RSM04-19-38P  
RECP ASSY



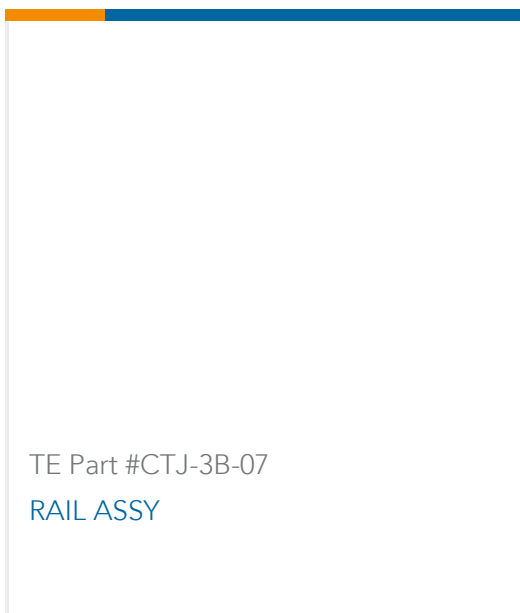
TE Part #866259N005  
S02-08-RCS453



TE Part #610147N001  
D-150-1013CS821



TE Part #1-1532146-7  
095-9091-1125=HDSM4-120LX-196.0



TE Part #CTJ-3B-07  
RAIL ASSY

### Documents



### Product Drawings

#### SMA Cable Plug 2031 5013 02

English

---

### CAD Files

#### 3D PDF

3D

#### Customer View Model

[ENG\\_CVM\\_CVM\\_1757851-1\\_B.2d\\_dxf.zip](#)

English

#### Customer View Model

[ENG\\_CVM\\_CVM\\_1757851-1\\_B.3d\\_igs.zip](#)

English

#### Customer View Model

[ENG\\_CVM\\_CVM\\_1757851-1\\_B.3d\\_stp.zip](#)

English

By downloading the CAD file I accept and agree to the [Terms and Conditions](#) of use.

---

### Datasheets & Catalog Pages

#### Products for Aerospace and Defense

English

---

### Instruction Sheets

#### Instruction Sheet (U.S.)

English