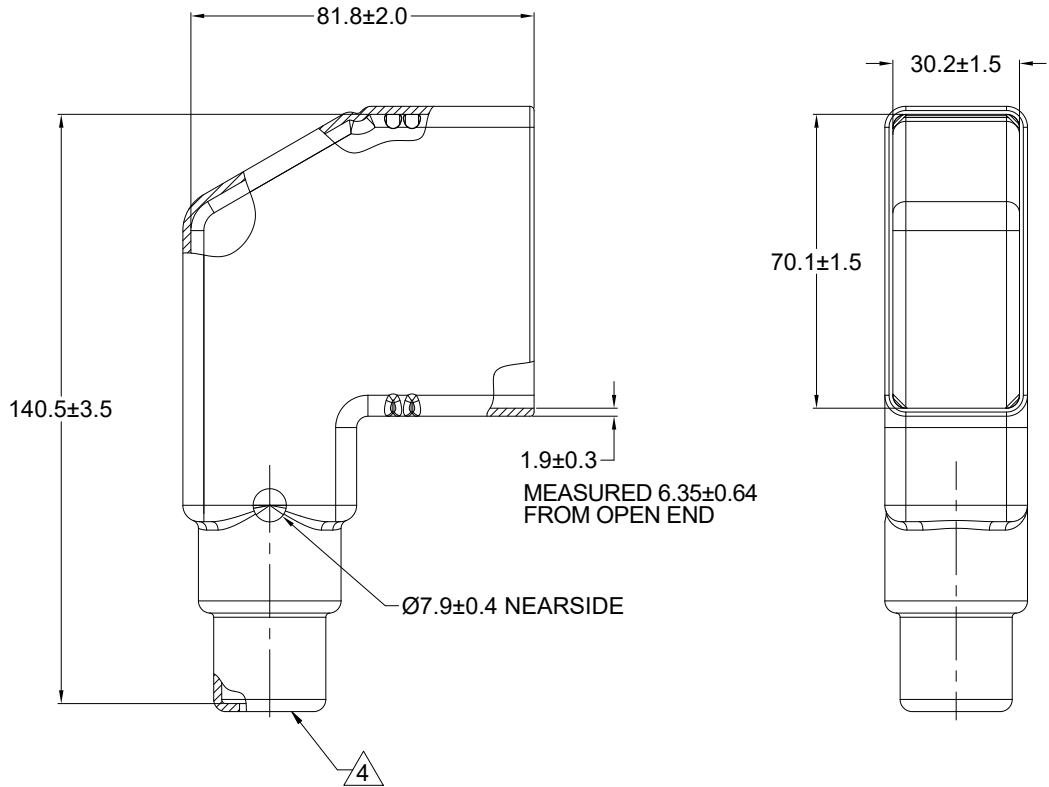




| REVISIONS |     |                     |         |        |       |
|-----------|-----|---------------------|---------|--------|-------|
| REV       | ECO | DESCRIPTION         | DATE    | BY     | APPR  |
| A1        |     | RELEASE NEW DRAWING | 05APR21 | SULLEN | TOMMY |



NOTES: UNLESS OTHERWISE SPECIFIED

- THIS PART IS USED ON ARC12-40PX(R) RECEPTACLE AND ARC18-40SX(R)-XXXX PLUG WHERE X = A,B,C,D KEYS AND XXXX = MODIFICATION.
- TEMPERATURE RATING : -29°C TO +100°C [-20°F TO +212°F]
- BOTTOM OF PART MOLDED OPEN.
-  SMALL MATERIAL EXTENSION IS ACCEPTABLE ON THIS END ALL AROUND
- ALL DIMENSIONS ARE FOR REFERENCE USE ONLY.

|  |  |   |  |
|--|--|---|--|
|  | ARC40-BT-RA  | REF DRC40-BT-90DEG  |  |
|  | PART NUMBER  | DESCRIPTION   | ITEM   |
| QUANTITY   | MATERIALS LIST   |   |  |
| <b>UNLESS OTHERWISE SPECIFIED</b><br>1) All dimensions are in metric(mm).<br>2) Tolerances are as follows:<br>1 PL DEC ±0.30    Fractions ±1/64<br>2 PL DEC ±0.15    Angles ±1°<br>3 PL DEC ±0.08<br>3) Note reference =  |  | <b>SIGNATURES</b><br>DRAWN: <b>SULLEN.ZHANG</b><br>CHECKED: <b>ORION.LI</b><br>ENGINEER:<br>APPROVAL: <b>TOMMY.XIE</b><br>CUSTOMER: | <b>DATE</b><br>05APR21<br>06APR21<br>07APR21 |
| MATERIAL SPECIFICATIONS:   | THIS DRAWING IS SUPPLIED FOR INFORMATION ONLY. DESIGN FEATURES, SPECIFICATIONS AND PERFORMANCE DATA SHOWN HEREON ARE THE PROPERTY OF THE AMPHENOL CORPORATION. NO RIGHTS OF REPRODUCTION ARE IMPLIED. ALL DIMENSIONS ARE SUBJECT TO NORMAL MANUFACTURING VARIATIONS. |   |  |
| PROCESS SPECIFICATIONS:  | Sine Systems - www.amphenol-sine.com<br>44724 Morley Drive<br>Clinton Township, MI 48036   |   |  |
| NEXT ASSY:   | BOOT,40PIN,90 DEG,ARC SERIES   |   |  |
|  | SIZE <b>A</b><br>TYPE <b>C-</b><br>SCALE: NONE   | DWG NO: <b>ARC40-BT-RA</b>  | REVISION <b>A1</b><br>SHEET 1 OF 1           |