

NVMe PCIe SSD M.2 Manual

NVMe PCIe SSD is a non-volatile, solid-state storage device delivering uncompromising performance, reliability and ruggedness for environmentally challenging applications.

Manual	3/16/2017
PSFNP7xxxxWxxx_SM963	Viking Technology
Revision A	Page 1 of 52

Revision History

Date	Revision	Description	Checked By
3/16/17	A	Initial Release based on PSFNP7xxxxWxxx_PM963_A and change PN's, TLC to MLC, performance, DWPD TBW.	

Manual	3/16/2017
PSFNP7xxxxWxxx_SM963	Viking Technology
Revision A	Page 2 of 52

Legal Information

Legal Information

Copyright© 2017 Sanmina Corporation. All rights reserved. The information in this document is proprietary and confidential to Sanmina Corporation. No part of this document may be reproduced in any form or by any means or used to make any derivative work (such as translation, transformation, or adaptation) without written permission from Sanmina. Sanmina reserves the right to revise this documentation and to make changes in content from time to time without obligation on the part of Sanmina to provide notification of such revision or change.

Sanmina provides this documentation without warranty, term or condition of any kind, either expressed or implied, including, but not limited to, expressed and implied warranties of merchantability, fitness for a particular purpose, and non-infringement. While the information contained herein is believed to be accurate, such information is preliminary, and should not be relied upon for accuracy or completeness, and no representations or warranties of accuracy or completeness are made. In no event will Sanmina be liable for damages arising directly or indirectly from any use of or reliance upon the information contained in this document. Sanmina may make improvements or changes in the product(s) and/or the program(s) described in this documentation at any time.

Sanmina, Viking Technology, Viking Modular Solutions, and Element logo are trademarks of Sanmina Corporation. Other company, product or service names mentioned herein may be trademarks or service marks of their respective owners.

Manual	3/16/2017
PSFNP7xxxxWxxx_SM963	Viking Technology
Revision A	Page 3 of 52

Ordering Information: M.2 110mm PCIe SSD Solid-State Drive

Part Number	Interface	Application	User Capacity (GB)	NAND	Temperature (C)	NAND
VSFNP7480GWCHVSM	PCIe/NVMe	Enterprise SM963	480	MLC	(0 to +70'c)	Samsung VNAND
VSFNP7960GWCFVSM	PCIe/NVMe	Enterprise SM963	960	MLC	(0 to +70'c)	Samsung VNAND
VSFNP71T92WCFVSM	PCIe/NVMe	Enterprise SM963	1920	MLC	(0 to +70'c)	Samsung VNAND

Notes:

1. Usable capacity based on a level of over-provisioning applied to wear leveling, bad sectors, index tables etc.
2. SSD's ship unformatted from the factory unless otherwise requested.
3. 1 GB = 1,000,000,000 Byte
4. One Sector = 512 Byte.

Manual	3/16/2017
PSFNP7xxxxWxxx_SM963	Viking Technology
Revision A	Page 4 of 52

Table of Contents

1	INTRODUCTION	10
1.1	Features	10
1.2	PCIE Interface	10
2	PRODUCT SPECIFICATIONS	11
2.1	Capacity and LBA count	11
2.2	Performance	12
2.3	Timing / Latency	12
2.4	Quality of Service (QoS)	12
2.5	Electrical Characteristics	13
2.5.1	Absolute Maximum Ratings	13
2.5.2	Supply Voltage	13
2.5.3	Power Consumption	13
2.6	Environmental Conditions	14
2.6.1	Temperature and Altitude	14
2.6.2	Shock and Vibration	14
2.6.3	Electromagnetic Immunity	14
2.7	Reliability	15
2.8	Data Security	15
2.8.1	Power Loss Protection	15
2.8.2	Sudden Power Off and Recovery	15
3	MECHANICAL INFORMATION	17
3.1	Dimensions	17
3.2	Card Edge Detail	18

Manual	3/16/2017
PSFNP7xxxxWxxx_SM963	Viking Technology
Revision A	Page 5 of 52

3.3	M.2 SSD Weight	20
4	PIN AND SIGNAL DESCRIPTIONS	21
4.1	Signal and Power Description Tables	21
5	PCIe AND NVM EXPRESS REGISTERS	22
5.1	PCI Express Registers	22
5.1.1	PCI Register Summary	22
5.1.2	PCI Header Registers	22
5.1.3	PCI Power Management Registers	27
5.1.4	Message Signaled Interrupt Registers	28
5.1.5	MSI-X Registers	29
5.1.6	PCI Express Capability Registers	30
5.1.7	Advanced Error Reporting Registers	34
5.1.8	Device Serial Number Capability Register	39
5.1.9	Power Budgeting Extended Capability	39
5.1.10	Latency Tolerance Reporting Capability Registers	39
5.1.11	L1 Substates Capability Registers	40
5.2	NVM Express Registers	41
5.2.1	Register Summary	41
5.2.2	Controller Registers	42
6	SUPPORTED COMMAND SET	45
6.1	Admin Command Set	45
6.1.1	Identify Command	46
6.2	NVM Express I/O Command Set	50
6.3	SMART/Health Information	51
7	PRODUCT COMPLIANCE	52
8	REFERENCES	52

Manual	3/16/2017
PSFNP7xxxxWxxx_SM963	Viking Technology
Revision A	Page 6 of 52

Table of Tables

Table 2-1: Maximum Sustained Read and Write Bandwidth	12
Table 2-2: Maximum Random Read and Write Input/Output Operations per Second (IOPS)	12
Table 2-3: Timing Specifications	12
Table 2-4: Absolute Maximum Ratings	13
Table 2-5: Operating Voltage	13
Table 2-6: Power Consumption	13
Table 2-7: Temperature and Altitude Related Specifications	14
Table 2-8: Shock and Vibration Specifications	14
Table 2-9: Reliability Specifications	15
Table 3-1: M.2 SSD weight	20
Table 4-1: M.2 PCIe Connector Pinouts	21
Table 5-1: PCI Register Summary	22
Table 5-2: PCI Header Register Summary	22
Table 5-3: Identifier Register	23
Table 5-4: Command Register	24
Table 5-5: Device Status Register	24
Table 5-6: Revision ID Register	24
Table 5-7: Class Code Register	24
Table 5-8: Cache Line Size Register	25
Table 5-9: Master Latency Timer Register	25
Table 5-10: Header Type Register	25
Table 5-11: Built-in Self Test Register	25
Table 5-12: Memory Register Base Address Lower 32-bits (BAR0) Register	25
Table 5-13: Memory Register Base Address Upper 32-bits (BAR1) Register	25
Table 5-14: Index/Data Pair Register Base Address (BAR2) Register	25
Table 5-15: BAR3 Register	25
Table 5-16: Vendor Specific BAR4 Register	26
Table 5-17: Vendor Specific BAR5 Register	26
Table 5-18: Subsystem Identifier Register	26
Table 5-19: Expansion ROM Register	26
Table 5-20: Capabilities Pointer Register	26
Table 5-21: Interrupt Information Register	26
Table 5-22: Minimum Grant Register	26
Table 5-23: Maximum Latency Register	26
Table 5-24: PCI Power Management Capability Register Summary	27
Table 5-25: PCI Power Management Capability ID Register	27
Table 5-26: PCI Power Management Capability Register	27
Table 5-27: PCI Power Management Control and Status Register	27
Table 5-28: Message Signaled Interrupt Capability Register Summary	28
Table 5-29: Message Signaled Interrupt Capability ID Register	28
Table 5-30: Message Signaled Interrupt Control Register	28
Table 5-31: Message Signaled Interrupt Lower Address Register	28
Table 5-32: Message Signaled Interrupt Upper Address Register	28
Table 5-33: Message Signaled Interrupt Message Data Register	28
Table 5-34: Message Signaled Interrupt Masked Bits Register	28
Table 5-35: Message Signaled Interrupt Pending Bits Register	29
Table 5-36: MSI-X Capability Register Summary	29
Table 5-37: MSI-X Identifier Register	29
Table 5-38: MSI-X Control Register	29
Table 5-39: MSI-X Table Offset Register	29

Manual	3/16/2017
PSFNP7xxxWxxx_SM963	Viking Technology
Revision A	Page 7 of 52

Table 5-40: MSI-X Pending Bit Array Offset Register	29
Table 5-41: PCI Express Capability Register Summary	30
Table 5-42: PCI Express Capability ID Register	30
Table 5-43: PCI Express Capabilities Register	30
Table 5-44: PCI Express Device Capabilities Register	30
Table 5-45: PCI Express Device Control Register	31
Table 5-46: PCI Express Device Status Register	31
Table 5-47: PCI Express Device Link Capabilities Register	31
Table 5-48: PCI Express Device Link Control Register	32
Table 5-49: PCI Express Device Link Status Register	32
Table 5-50: PCI Express Device Capabilities 2 Register	32
Table 5-51: PCI Express Device Control 2 Register	33
Table 5-52: PCI Express Device Status 2 Register	33
Table 5-53: PCI Express Link Capabilities 2 Register	33
Table 5-54: PCI Express Link Control 2 Register	33
Table 5-55: PCI Express Link Status 2 Register	33
Table 5-56: Advanced Error Reporting Capability Register Summary	34
Table 5-57: AER Capability ID Register	34
Table 5-58: AER Uncorrectable Error Status Register	34
Table 5-59: AER Uncorrectable Error Mask Register	35
Table 5-60: AER Uncorrectable Error Severity Register	35
Table 5-61: AER Correctable Error Status Register	36
Table 5-62: AER Correctable Error Mask Register	36
Table 5-63: AER Capabilities and Control Register	36
Table 5-64: AER Header Log Register	37
Table 5-65: AER TLP Prefix Log Register	37
Table 5-66: Secondary PCI Express Capability Register Summary	37
Table 5-67: Secondary PCI Express Capability ID Register	37
Table 5-68: PCI Express Link Control 3 Register	38
Table 5-69: PCI Express Lane Error Status Register	38
Table 5-70: PCI Express Lane 0 Equalization Register	38
Table 5-71: PCI Express Lane 1 Equalization Register	38
Table 5-72: PCI Express Lane 2 Equalization Register	38
Table 5-73: PCI Express Lane 3 Equalization Register	38
Table 5-74: Device Serial Number Capability Register Header	39
Table 5-75: Serial Number Register Header (offset 0x4/0x8)	39
Table 5-76: Power Budgeting Extended Capability Header	39
Table 5-77: Data Register	39
Table 5-78: Power Budget Capability Register	39
Table 5-79: LTR Extended Capability Header	39
Table 5-80: LTR Max Snoop latency Register	40
Table 5-81: LTR Max No Snoop latency Register	40
Table 5-82: L1 Substates Extended Capability Header	40
Table 5-83: L1 Substates Capability Register	40
Table 5-84: L1 Substates Control1 Register	40
Table 5-85: L1 Substates Control2 Register	41
Table 5-86: Register Summary	41
Table 5-87: Controller Capabilities	42
Table 5-88: Version	42
Table 5-89: Interrupt Mask Set	42
Table 5-90: Interrupt Mask Clear	43
Table 5-91: Controller Configuration	43
Table 5-92: Controller Status	43

Manual	3/16/2017
PSFNP7xxxxWxxx_SM963	Viking Technology
Revision A	Page 8 of 52

<i>Table 5-93: Admin Queue Attributes</i>	43
<i>Table 5-94: Admin Submission Queue Base Address</i>	44
<i>Table 5-95: Admin Completion Queue Base Address</i>	44
<i>Table 5-96: Submission Queue Tail y Doorbell</i>	44
<i>Table 5-97: Completion Queue Head y Doorbell</i>	44
<i>Table 6-1: Opcode for Admin Commands</i>	45
<i>Table 6-2: Admin Commands –NVM Command Set Specific</i>	45
<i>Table 6-3: Identify Controller Data Structure</i>	46
<i>Table 6-4: Identify Power State Descriptor Data Structure</i>	48
<i>Table 6-5: Identify Namespace Data Structure</i>	49
<i>Table 6-6: LBA Format 0 Data Structure</i>	50
<i>Table 6-7: Opcode for NVM Express I/O Commands</i>	50
<i>Table 6-8: SMART/Health Information Log</i>	51
<i>Table 7-1: Product Compliance Certifications</i>	52

Table of Figures

<i>Figure 2-1: Sudden Power on-off operation</i>	16
<i>Figure 3-1: Dimension Details for M.2 110mm length</i>	17
<i>Figure 3-2: Dimension Details for M.2 card edge (Top View)</i>	18
<i>Figure 3-3: Dimension Details for M.2 card edge (Bottom View)</i>	19

1 Introduction

This document describes the specification of Viking SSD which uses PCIe interface. The Viking SSD is fully consist of semiconductor device and using NAND Flash Memory which has a high reliability and a high technology in a small form factor for using a SSD and supporting Peripheral Component Interconnect Express (PCIe) 3.0 interface standard up to 4 lanes shows much faster performance than previous SATA SSDs It could also provide rugged features with an extreme environment with a high MTBF.

1.1 Features

The SSD delivers the following features:

- Native-PCIe SSD for enterprise application
- PCI Express Gen3: Single port X4 lanes
- Compliant with PCI Express Base Specification Rev. 3.0
- Compliant with NVM Express Specification Rev.1.2
- Static and Dynamic Wear Leveling and Bad Block Management
- RoHS / Halogen-Free Compliant
- Support up to queue depth 64K
- Support Power Management: ASPM/PCI-PM L0s, L1, L1.1 and L1.2
- Support SMART and TRIM commands
- Support 48-bit addressing mode
- Firmware update

1.2 PCIE Interface

- PCI Express Gen3: Single port X4 lanes, 8Gb/s
- Compliant with PCI Express Base Specification Rev. 3.0
- Compliant with NVM Express Specification Rev.1.2

For a list of supported commands and other specifics, please see Chapter 5.

Manual	3/16/2017
PSFNP7xxxxWxxx_SM963	Viking Technology
Revision A	Page 10 of 52

2 Product Specifications

2.1 Capacity and LBA count

Raw Capacity (GB)	User Capacity (GB)	LBA Count
16	14	27,370,224
16	16	31,277,232
32	30	58,626,288
32	32	62,533,296
64	60	117,231,408
64	64	125,045,424
128	120	234,441,648
128	128	250,069,680
256	240	468,862,128
256	256	500,118,192
512	480	937,703,088
512	512	1,000,215,216
na	800	1,562,824,368
1024	960	1,875,385,008
1024	1024	2,000,409,264
na	1600	3,125,627,568
2048	1920	3,750,748,848
2048	2048	4,000,797,360
4000	3200	6,251,233,968
4000	3840	7,501,476,528

Notes:

- Per www.idema.org, LBA1-03 spec,
LBA counts = (97,696,368) + (1,953,504 * (Advertised Capacity in GBytes – 50))
- GB capacities based on power of 10, GiB capacities are based on powers of 2

2.2 Performance

Table 2-1: Maximum Sustained Read and Write Bandwidth

Access Type	480GB	960GB	1920GB
Sequential Read, 256K, MB/s	Up to 1200	Up to 2000	Up to 2100
Sequential Write, 256K, MB/s	Up to 900	Up to 1400	Up to 1400

Notes:

1. Based on PCI Express Gen3 x4, Random performance measured using FIO 2.1.3 in Linux RHEL 6.5(Kernel 2.6.32) with queue depth 32 by 4 workers and Sequential performance with queue depth 32 by 1 worker. Actual performance may vary depending on use conditions and environment.
2. Refer to Application Note AN0006 for Viking SSD Benchmarking Methodology.
3. Tested on Oakgate at 100% entropy

Table 2-2: Maximum Random Read and Write Input/Output Operations per Second (IOPS)

Access Type	480GB	1920GB	3.8GB
Read, 4K, IOPS	Up to 350K	Up to 430K	Up to 430K
Write, 4K, IOPS	Up to 23K	Up to 33K	Up to 40K

Notes:

1. Based on PCI Express Gen3 x4, Random performance measured using FIO 2.1.3 in Linux RHEL 6.5(Kernel 2.6.32) with queue depth 32 by 4 workers and Sequential performance with queue depth 32 by 1 worker. Actual performance may vary depending on use conditions and environment.

2.3 Timing / Latency

Table 2-3: Timing Specifications

Type	480 (GB)	960, 1920 (GB)
Random Read/Write Latency	85/50 us	85/50 us
Sequential Read/Write Latency	15/45 us	15/45 us
Power On Ready (POR), Drive Ready Time, 3840 GB	10 sec	10 sec

Notes:

1. The random latency is measured by using FIO 2.1.3 in Linux RHEL 6.5(Kernel 2.6.32) and 4KB transfer size with queue depth 1 by 1 worker
2. The sequential latency is measured by using FIO 2.1.3 in Linux RHEL 6.5(Kernel 2.6.32) and 4KB transfer size with queue depth 1 by 1 worker

2.4 Quality of Service (QoS)

Quality of Service (99%)	Unit	QD=1	QD=32
Read(4KB)	ms	0.1	0.7 (480GB) 0.5 (960/1920GB)
Write(4KB)	ms	0.1	1.6

Quality of Service (99.99%)	Unit	QD=1	QD=32
Read(4KB)	ms	0.2	1.3 (480GB)

			0.8 (960/1920GB)
Write(4KB)	ms	0.2	1.6

Notes:

1. QoS is measured using Fio 2.1.3 (99 and 99.99%) in Linux RHEL 6.5 (Kernel 2.6.32) with queue depth 1, 32 on 4KB random read and write.
2. QoS is measured as the maximum round-trip time taken for 99 and 99.99% of commands to host

2.5 Electrical Characteristics

2.5.1 Absolute Maximum Ratings

Values shown are stress ratings only. Functional operation outside normal operating values is not implied. Extended exposure to absolute maximum ratings may affect reliability.

Table 2-4: Absolute Maximum Ratings

Description	Min	Max	Unit
Maximum Voltage Range for Vin	-0.2	3.6	V
Maximum Temperature Range	-40	85	c

2.5.2 Supply Voltage

The operating voltage is 3.3V

Table 2-5: Operating Voltage

Description	Min	Max	Unit
Operating Voltage for 3.3 V (+/- 5%)	3.135	3.465	V

2.5.3 Power Consumption

Table 2-6: Power Consumption

Description	960 GB	1920 GB	Unit
Active	8	8	W
Idle	2.5	2.5	W

2.6 Environmental Conditions

2.6.1 Temperature and Altitude

Table 2-7: Temperature and Altitude Related Specifications

Conditions	Operating	Shipping	Storage
Commercial Temperature- Case ¹	0 to 70°C	-40 to 85°C	-40 to 85°C
Humidity (non-condensing)	90% under 40C	93% under 40C	93% under 40C

Notes:

1. Tc is measured at the surface of NAND Flash package

2.6.2 Shock and Vibration

SSD products are tested in accordance with environmental specification for shock and vibration

Table 2-8: Shock and Vibration Specifications

Stimulus	Description
Shock(non-operating)	1500G (0.5ms duration x,y,z with 1/2 sine wave)
Vibration (non-operating)	(60min /axis on 3 axes) Displacement: 1.52mm (20 ~ 80 Hz) Acceleration: 20G (80 ~ 2,000 Hz)

2.6.3 Electromagnetic Immunity

M.2 is an embedded product for host systems and is designed not to impair with system functionality or hinder system EMI/FCC compliance.

2.7 Reliability

Table 2-9: Reliability Specifications

Parameter	Description		
Uncorrectable Bit Error Rate	1 sector per 10 ¹⁷ bits read		
MTBF	2,000,000 hours		
Read Endurance	Unlimited		
Write Endurance	480GB	960GB	1924GB
	3153 TBW	6307 TBW	12614 TBW
Drive Write per day	3.6 DWPD over 5 years		
Data retention	> 90 days at NAND expiration		

Notes:

1. The reliability specification follows JEDEC standards JESD218A and JESD219A
2. Average Minimum Program/Erase cycles (MLC, tbd)
3. TBW=(GB capacity x DWPD x 365 x years)/1000

2.8 Data Security

2.8.1 Power Loss Protection

By using internal back-up power technology, the Viking SSD supports power loss protection feature to guarantee the reliability of data requested by the host system. When power is unpredictably lost, the SSD can detect automatically this abnormal situation and transfer all user data and meta-data cached in DRAM into the Flash media during any SSD operations.

2.8.2 Sudden Power Off and Recovery

If power interruption is detected, the SSD dumps all cached user data and meta data to NAND Flash. The SSD could protect even the user data in DRAM from sudden power off while SSD is used with cache on. Commonly, data is protected all of the operation period.

2.8.2.1 Time to Ready Sequence

In normal power-off recovery status, the SSD needs less than 11 seconds to reach operating mode where SSD works perfectly with cache-on state. SSD is ready to respond identify Device command during FTL OPEN. When the sudden power-off occurs, the user data in DRAM will be dumped into the NAND Flash using the stored power in the capacitor. In sudden power-off recovery condition, mapping data will be loaded or the FTL meta data be rebuilt perfectly for initial max. 30 seconds in case of 960GB. During this period, Identify Device command is still supported. This is called Sudden Power Off and Recovery.

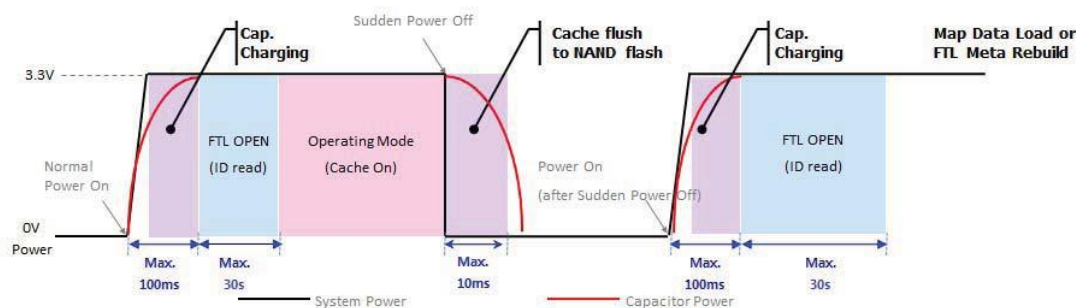


Figure 2-1: Sudden Power on-off operation

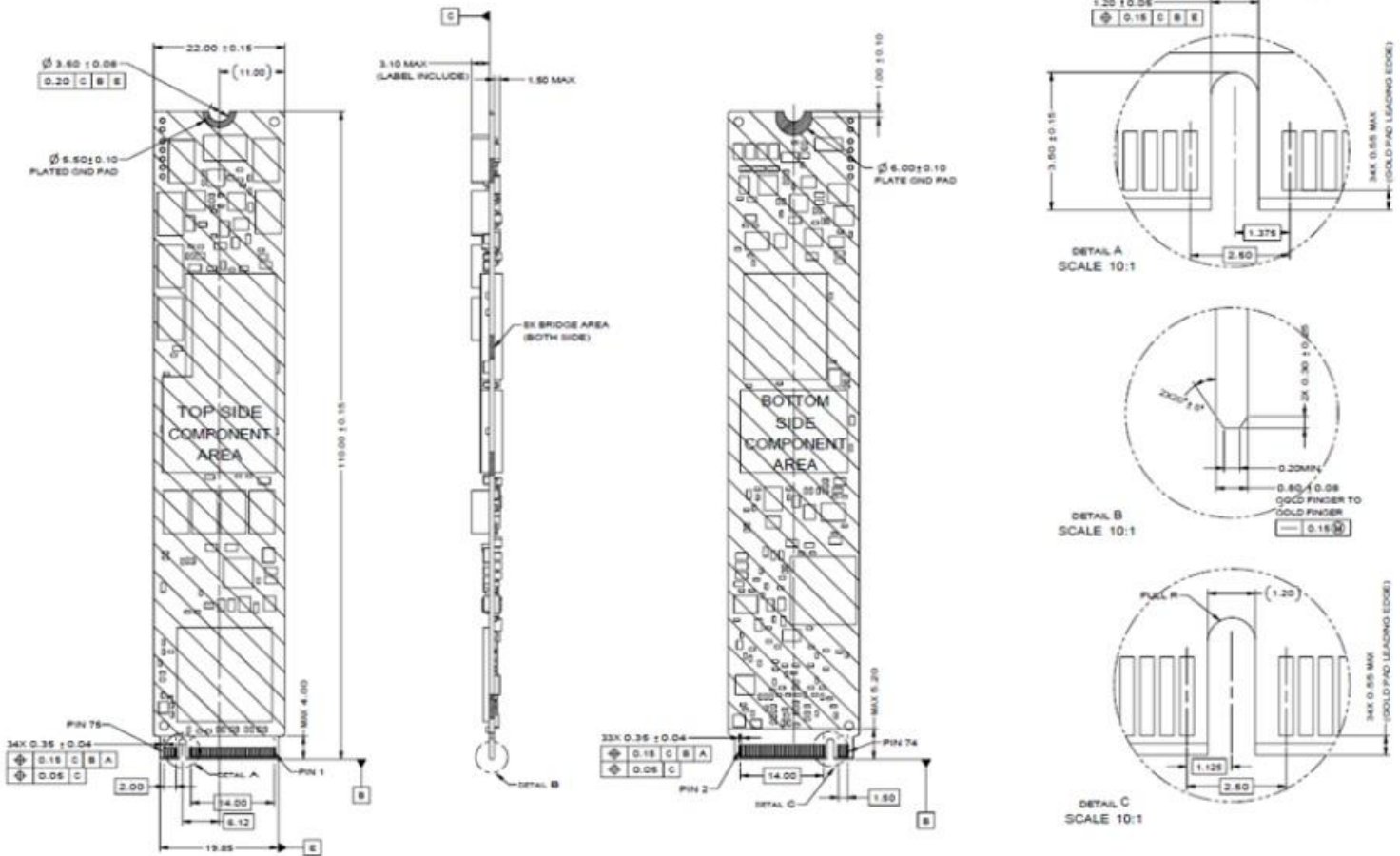
FTL Open time

	960GB
<i>FTL open (ID read)</i>	30 sec

3 Mechanical Information

3.1 Dimensions

Figure 3-1: Dimension Details for M.2 110mm length



FOR CARD EDGE DETAIL
See Figure 3.2 and Figure 3.3

Notes:

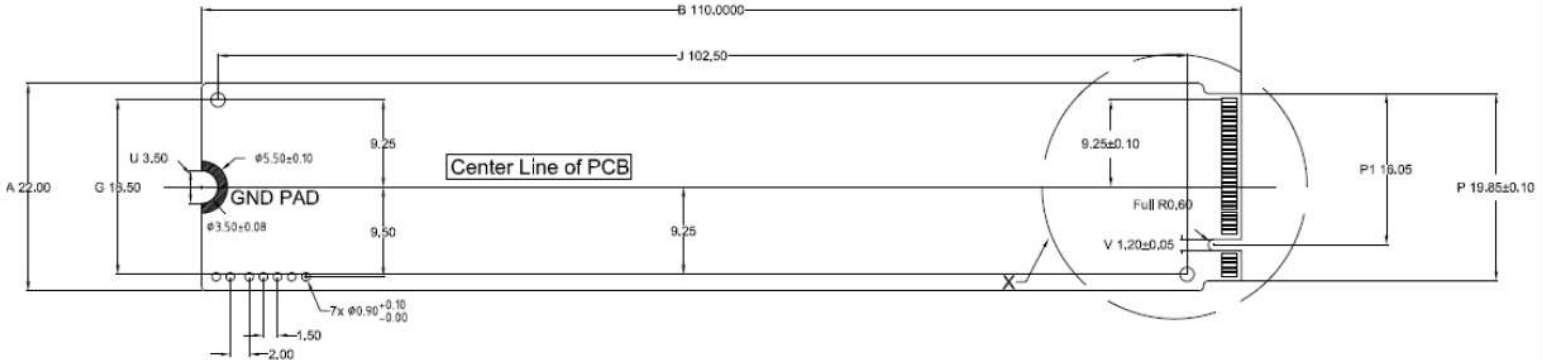
1. All dimensions are in millimeter

Manual	3/16/2017
PSFNP7xxxxWxxx_SM963	Viking Technology
Revision A	Page 17 of 52

3.2 Card Edge Detail

Figure 3-2: Dimension Details for M.2 card edge (Top View)

Top View



Detail X

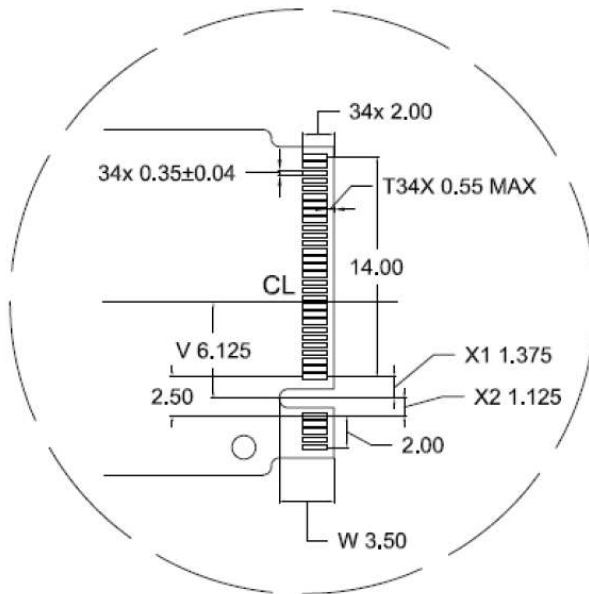
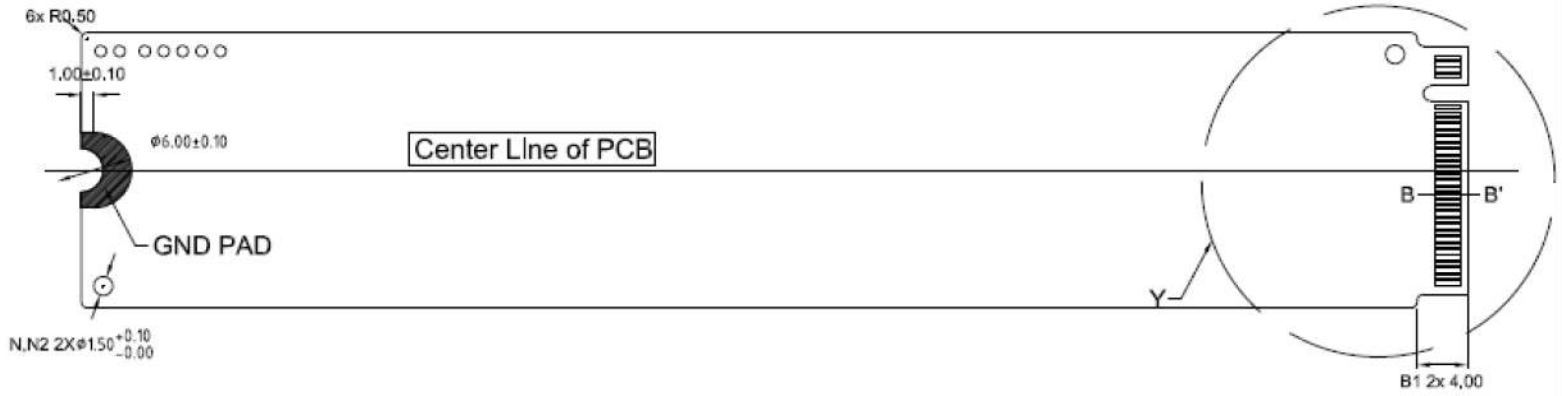
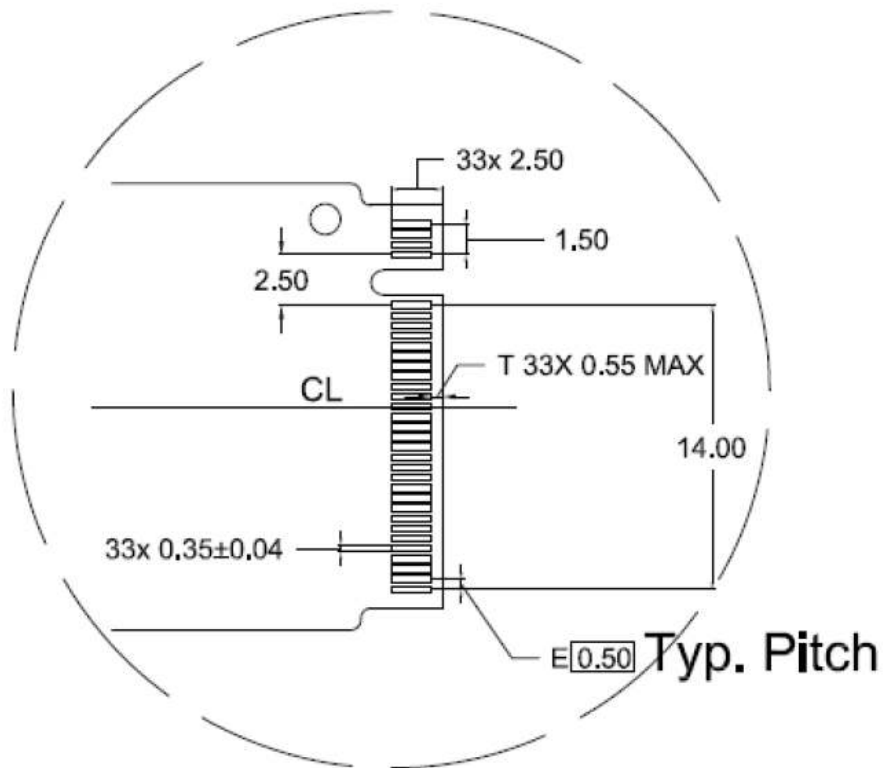


Figure 3-3: Dimension Details for M.2 card edge (Bottom View)

Bottom View



Detail Y



Manual	3/16/2017
PSFNP7xxxxWxxx_SM963	Viking Technology
Revision A	Page 19 of 52

3.3 M.2 SSD Weight

Table 3-1: M.2 SSD weight

Length	Weight	Unit of measure
110 mm	Up to 15	Grams

4 Pin and Signal Descriptions

4.1 Signal and Power Description Tables

Table 4-1: M.2 PCIE Connector Pinouts

Pin #	Assignment	Description	Pin #	Assignment	Description
1	GND	Return current path	2	3.3V	3.3V source
3	GND	Return current path	4	3.3V	3.3V source
5	PETn3	PCle TX	6	N/C	N/C
7	PETp3	PCle TX	8	N/C	N/C
9	GND	Return current path	10	LED1#	Device Active Signal
11	PERn3	PCle Rx	12	3.3V	3.3V source
13	PERp3	PCle Rx	14	3.3V	3.3V source
15	GND	Return current path	16	3.3V	3.3V source
17	PETn2	PCle TX	18	3.3V	3.3V source
19	PETp2	PCle TX	20	N/C	N/C
21	GND	Return current path	22	N/C	N/C
23	PERn2	PCle Rx	24	N/C	N/C
25	PERp2	PCle Rx	26	N/C	N/C
27	GND	Return current path	28	N/C	N/C
29	PETn1	PCle TX	30	N/C	N/C
31	PETp1	PCle TX	32	N/C	N/C
33	GND	Return current path	34	N/C	N/C
35	PERn1	PCle Rx	36	N/C	N/C
37	PERp1	PCle Rx	38	N/C	N/C
39	GND	Return current path	40	N/C	N/C
41	PETn0	PCle TX	42	N/C	N/C
43	PETp0	PCle TX	44	N/C	N/C
45	GND	Return current path	46	N/C	N/C
47	PERn0	PCle Rx	48	N/C	N/C
49	PERp0	PCle Rx	50	PERST#	PCle Reset
51	GND	Return current path	52	CLKREQ#	PCle Device Clock Request
53	REFCLKN	PCle Reference Clock	54	PEWake#	N/C
55	REFCLKP	PCle Reference Clock	56	N/C	N/C
57	GND	Return current path	58	N/C	N/C
67	N/C	N/C	68	SUSCLK	N/C
69	PEDET	N/C	70	3.3V	3.3V source
71	GND	Return current path	72	3.3V	3.3V source
73	GND	Return current path	74	3.3V	3.3V source
75	GND	Return current path			

5 PCIe and NVM Express Registers

5.1 PCI Express Registers

5.1.1 PCI Register Summary

Table 5-1: PCI Register Summary

Start Address	End Address	Name	Type
00h	3Fh	PCI Header	PCI Capability
40h	47h	PCI Power Management Capability	PCI Capability
50h	67h	MSI Capability	PCI Capability
70h	A3h	PCI Express Capability	PCI Capability
B0h	BBh	MSI-X Capability	PCI Capability
100h	12Bh	Advanced Error Reporting Capability	PCI Capability
148h	157h	Device Serial No Capability	PCI Capability
158h	167h	Power Budgeting Capability	PCI Capability
168h	17Bh	Secondary PCI Express Header	PCI Capability
188h	18Fh	Latency Tolerance Reporting (LTR)	PCI Capability
190h	19Fh	L1 Substates Capability Register	PCI Capability

5.1.2 PCI Header Registers

Table 5-2: PCI Header Register Summary

Start Address	End Address	Symbol	Description
00h	03h	ID	Identifiers
04h	05h	CMD	Command Register
06h	07h	STS	Device Status
08h	08h	RID	Revision ID
09h	0Bh	CC	Class Codes
0Ch	0Ch	CLS	Cache Line Size
0Dh	0Dh	MLT	Master Latency Timer
0Eh	0Eh	HTYPE	Header Type
0Fh	0Fh	BIST	Built in Self Test
10h	13h	MLBAR (BAR0)	Memory Register Base Address (lower 32-bit)

Start Address	End Address	Symbol	Description
14h	17h	MUBAR (BAR1)	Memory Register Base Address (upper 32-bit)
18h	1Bh	IDBAR (BAR2)	Index/Data Pair Register Base Address
1Ch	1Fh	BAR3	Reserved
20h	23h	BAR4	Reserved
24h	27h	BAR5	Reserved
28h	2Bh	CCPTR	CardBus CIS Pointer
2Ch	2Fh	SS	Subsystem Identifiers
30h	33h	EROM	Expansion ROM Base Address
34h	34h	CAP	Capabilities Pointer
35h	3Bh	R	Reserved
3Ch	3Dh	INTR	Interrupt Information
3Eh	3Eh	MGNT	Minimum Grant
3Fh	3Fh	MLAT	Maximum Latency

Table 5-3: Identifier Register

Bits	Type	Default Value	Description
31:16	RO	tbd	Device ID
0:15	RO	tbd	Vendor ID

Table 5-4: Command Register

Bits	Type	Default Value	Description
15:11	RO	0	Reserved
10	RW	0	Interrupt Disable
9	RO	0	Fast Back-to-Back Enable (N/A)
8	RW	0	SERR# Enable (N/A)
7	RO	0	Zero value
6	RW	0	Parity Error Response Enable
5	RO	0	VGA Palette Snooping Enable (N/A)
4	RO	0	Memory Write and Invalidate Enable (N/A)
3	RO	0	Special Cycle Enable (N/A)
2	RW	0	Bus Master Enable
1	RW	0	Memory Space Enable
0	RW	0	I/O Space Enable

Table 5-5: Device Status Register

Bits	Type	Default Value	Description
15	RW1C	0	Detected Parity Error
14	RW1C	0	N/A
13	RW1C	0	Received Master Abort
12	RW1C	0	Received Target Abort
11	RW1C	0	Signaled Target Abort
10:9	RO	0	N/A
8	RW1C	0	Master Data Parity Error Detected
7	RO	0	N/A
6	RO	0	Reserved
5	RO	0	N/A
4	RO	tbd	Capabilities List
3	RO	0	INTx Status
2:0	RO	0	Reserved

Table 5-6: Revision ID Register

Bits	Type	Default Value	Description
7:00	RO	tbd	Controller Hardware Revision ID

Table 5-7: Class Code Register

Bits	Type	Default Value	Description
23:16	RO	tbd	Base Class Code
15:08	RO	tbd	Sub Class Code
7:00	RO	tbd	Programming Interface

Table 5-8: Cache Line Size Register

Bits	Type	Default Value	Description
7:0	RW	0h	N/A

Table 5-9: Master Latency Timer Register

Bits	Type	Default Value	Description
7:00	RO	0	N/A

Table 5-10: Header Type Register

Bits	Type	Default Value	Description
7:00	RO	0	N/A

Table 5-11: Built-in Self Test Register

Bits	Type	Default Value	Description
7:00	RO	0	N/A

Table 5-12: Memory Register Base Address Lower 32-bits (BAR0) Register

Bits	Type	Default Value	Description
31:04	RW	0	Base Address
3	RO	0	Pre-Fetchable
2:1	RO	tbd	Address Type (64-bit)
0	RO	0	Memory Space Indicator (MEMSI)

Table 5-13: Memory Register Base Address Upper 32-bits (BAR1) Register

Bits	Type	Default Value	Description
31:0	RO	0	Base Address

Table 5-14: Index/Data Pair Register Base Address (BAR2) Register

Bits	Type	Default Value	Description
31:0	RO	0	Base Address

Table 5-15: BAR3 Register

Bits	Type	Default Value	Description
31:0	RO	0	Base Address

Table 5-16: Vendor Specific BAR4 Register

Bits	Type	Default Value	Description
31:0	RO	0	Base Address

Table 5-17: Vendor Specific BAR5 Register

Bits	Type	Default Value	Description
31:0	RO	0	Base Address

Table 5-18: Subsystem Identifier Register

Bits	Type	Default Value	Description
31:16	RO	tbd	Subsystem ID
15:0	RO	tbd	Subsystem Vendor ID

Table 5-19: Expansion ROM Register

Bits	Type	Default Value	Description
31:11	RW	0	Expansion ROM Base Address
10:1	RO	0	Reserved
0	RW	0	Expansion ROM Enable/Disable

Table 5-20: Capabilities Pointer Register

Bits	Type	Default Value	Description
7:0	RO	tbd	Capability Pointer (Points to PCI Power Management Capability Offset)

Table 5-21: Interrupt Information Register

Bits	Type	Default Value	Description
15:8	RO	tbd	Interrupt Pin
7:0	RW	tbd	Interrupt Line

Table 5-22: Minimum Grant Register

Bits	Type	Default Value	Description
31:0	RO	0	Base Address

Table 5-23: Maximum Latency Register

Bits	Type	Default Value	Description
31:0	RO	0	Base Address

5.1.3 PCI Power Management Registers

Table 5-24: PCI Power Management Capability Register Summary

Start Address	End Address	Symbol	Description
40h	40h	PID	PCI Power Management Capability ID
41h	41h	Next cap ptr	Next cap ptr
42h	43h	PMC	PC Power Management Capabilities
44h	45h	PMCS	PCI Power Management Control and Status
46h	46h	PMCSR_BSE	PMCSR_BSE Bridge Extensions
47h	47h	Data	Data

Table 5-25: PCI Power Management Capability ID Register

Bits	Type	Default Value	Description
15:08	RO	tbd	Next Capability
7:00	RO	tbd	Capability ID

Table 5-26: PCI Power Management Capability Register

Bits	Type	Default Value	Description
15:11	RO	0	N/A
10	RO	0	D2 Support
9	RO	0	D1 Support
8:6	RO	0	N/A
5	RO	0	Device Specific Initialization
4	RO	0	Reserved
3	RO	0	PME Clock
2:0	RO	tbd	Version (Support for revision 1.2)

Table 5-27: PCI Power Management Control and Status Register

Bits	Type	Default Value	Description
31:24	RO	0	data register
23	RO	0	Bus power/Clock enable
22	RO	0	B2, B3 support
21:16	RsvdP	0	Reserved
15	RW1CS	0	PME Status
14:13	RO	0	N/A
12:09	RO	0	N/A
8	RWS	0	PME Enable
7:04	RsvdP	0	Reserved
3	RO	tbd	No Soft Reset
2	RsvdP	0	Reserved
1:00	RW	0	Power State

5.1.4 Message Signaled Interrupt Registers

Table 5-28: Message Signaled Interrupt Capability Register Summary

Start Address	End Address	Symbol	Description
50h	51h	MID	Message Signaled Interrupt Capability ID
52h	53h	MC	Message Signaled Interrupt Message Control
54h	57h	MA	Message Signaled Interrupt Message Address
58h	5Bh	MUA	Message Signaled Interrupt Upper Address
5Ch	5Dh	MD	Message Signaled Interrupt Message Data
60h	63h	MMASK	Message Signaled Interrupt Mask Bits
64h	67h	MPEND	Message Signaled Interrupt Pending Bits

Table 5-29: Message Signaled Interrupt Capability ID Register

Bits	Type	Default Value	Description
15:08	RO	tbd	Next Capability
7:0	RO	tbd	Capability ID

Table 5-30: Message Signaled Interrupt Control Register

Bits	Type	Default Value	Description
15:9	RsvdP	0	Reserved
8	RO	0	Per Vector Masking Capable
7	RO	tbd	64-bit Address Capable
6:4	RW	0h	Multiple Message Enable
3:1	RO	tbd	Multiple Message Capable
0	RW	0h	MSI Enable

Table 5-31: Message Signaled Interrupt Lower Address Register

Bits	Type	Default Value	Description
31:2	RW	0	Address
1:0	RO	0	Reserved

Table 5-32: Message Signaled Interrupt Upper Address Register

Bits	Type	Default Value	Description
31:0	RW	0	Upper Address

Table 5-33: Message Signaled Interrupt Message Data Register

Bits	Type	Default Value	Description
16:31	RsvdP	0	Reserved
0:15	RO	0	Data

Table 5-34: Message Signaled Interrupt Masked Bits Register

Bits	Type	Default Value	Description
31:0	RW	0	Mask Bits

Table 5-35: Message Signaled Interrupt Pending Bits Register

Bits	Type	Default Value	Description
31:0	RO	0	Pending Bits

5.1.5 MSI-X Registers

Table 5-36: MSI-X Capability Register Summary

Start Address	End Address	Symbol	Description
B0h	B1h	MXID	MSI-X Capability ID
B2h	B3h	MXC	MSI-X Message Control
B4h	B7h	MTAB	MSI-X Table Offset and Table BIR
B8h	BBh	MPBA	MSI-X PBA Offset and PBA BIR

Table 5-37: MSI-X Identifier Register

Bits	Type	Default Value	Description
15:8	RO	00h	Next Capability
7:0	RO	tbd	Capability ID

Table 5-38: MSI-X Control Register

Bits	Type	Default Value	Description
15	RW	0	MSI-X Enable
14	RW	0	Function Mask
13:11	RsvdP	0	Reserved
10:0	RO	tbd	Table Size

Table 5-39: MSI-X Table Offset Register

Bits	Type	Default Value	Description
31:3	RO	tbd	Table Offset
2:0	RO	0	Table BIR

Table 5-40: MSI-X Pending Bit Array Offset Register

Bits	Type	Default Value	Description
31:3	RO	tbd	Pending Bit Array Offset
2:0	RO	0	Pending Bit Array BIR

5.1.6 PCI Express Capability Registers

Table 5-41: PCI Express Capability Register Summary

Start Address	End Address	Symbol	Description
70h	71h	PXID	PCI Express Capability ID
72h	73h	PXCAP	PCI Express Capabilities
74h	77h	PXDCAP	PCI Express Device Capabilities
78h	79h	PXDC	PCI Express Device Control
7Ah	7Bh	PXDS	PCI Express Device Status
7Ch	7Fh	PXLCAP	PCI Express Link Capabilities
80h	81h	PXLC	PCI Express Link Control
82h	83h	PXLS	PCI Express Link Status
94h	97h	PXDCAP2	PCI Express Device Capabilities 2
98h	99h	PXDC2	PCI Express Device Control 2
9Ah	9Bh	PXDS2	PCI Express Device Status 2
9Ch	9Fh	PXLCAP2	PCI Express Link Capabilities 2
A0h	A1h	PXLC2	PCI Express Link Control 2
A2h	A3h	PXLS2	PCI Express Link Status 2

Table 5-42: PCI Express Capability ID Register

Bits	Type	Default Value	Description
15:8	RO	tbd	Next Pointer (MSI-X Capability)
7:0	RO	tbd	Capability ID

Table 5-43: PCI Express Capabilities Register

Bits	Type	Default Value	Description
15:14	RsvdP	0	Reserved
13:9	RO	0	Interrupt Message Number
8	HwInit	0	N/A
7:4	RO	0	Device/Port Type
3:0	RO	tbd	Capability Version

Table 5-44: PCI Express Device Capabilities Register

Bits	Type	Default Value	Description
31:29	RsvdP	0	Reserved
28	RO	tbd	Function Level Reset Capability
27:26	RO	0	Captured Slot Power Limit Scale
25:18	RO	0	Captured Slot Power Limit Value
17:16	RO	0	Reserved
15	RO	tbd	Role-based Error Reporting
14:12	RO	0	Reserved
11:9	RO	tbd	Endpoint L1 Acceptable Latency
8:6	RO	tbd	Endpoint L0 Acceptable Latency
5	RO	0	Extended Tag Field Supported
4:3	RO	0	Phantom Functions Supported
2:0	RO	0	Max Payload Size Supported (128 byte payload)

Table 5-45: PCI Express Device Control Register

Bits	Type	Default Value	Description
15	RW	0	Initiate Function Level Reset
14:12	RW	tbd	Max Read Request Size
11	RW	tbd	Enable No Snoop
10	RWS	0	Aux Power PM Enable (N/A)
9	RW	0	Phantom Functions Enable (N/A)
8	RW	0	Extended Tag Enable
7:5	RW	0	Max Payload Size
4	RW	tbd	Enable Relaxed Ordering (N/A)
3	RW	0	Unsupported Request Reporting Enable
2	RW	0	Fatal Error Reporting Enable
1	RW	0	Non-Fatal Error Reporting Enable
0	RW	0	Correctable Error Reporting Enable

Table 5-46: PCI Express Device Status Register

Bits	Type	Default Value	Description
15:06	RsvdP	0	Reserved
5	RO	0	Transactions Pending
4	RO	tbd	Aux Power Detected
3	RW1C	0	Unsupported Request Detected
2	RW1C	0	Fatal Error Detected
1	RW1C	0	Non-Fatal Error Detected
0	RW1C	0	Correctable Error Detected

Table 5-47: PCI Express Device Link Capabilities Register

Bits	Type	Default Value	Description
31:24	HwInit	0 (Port 0)	Port Number
23	RsvdP	0	Reserved
22	HwInit	tbd	ASPM Optionality Compliance
21	RO	0	Link Bandwidth Notification Capability (N/A)
20	RO	0	Data Link Layer Link Active Reporting Capable (N/A)
19	RO	0	Surprise Down Error Reporting Capable (N/A)
18	RO	tbd	Clock Power Management
17:15	RO	tbd	L1 Exit Latency
14:12	RO	tbd	L0s Exit Latency
11:10	RO	0	Active State Power Management Support
9:4	RO	4h (x4 link)	Maximum Link Width
3:0	RO	3h	Supported Link Speeds

Table 5-48: PCI Express Device Link Control Register

Bits	Type	Default Value	Description
15:12	RsvdP	0	Reserved
11	RsvdP	0	Link Autonomous Bandwidth Interrupt Enable
10	RsvdP	0	Link Bandwidth Management Interrupt Enable
9	RsvdP	0	Hardware Autonomous Width Disable
8	RW	0	Enable Clock Power Management (N/A)
7	RW	0	Extended Sync
6	RW	0	Common Clock Configuration
5	RsvdP	0	Retrain Link
4	RsvdP	0	Link Disable
3	Root Ports (RO) End Points & Bridges (RW) Switch Ports (RO)	0	Read Completion Boundary (N/A)
2	RsvdP	0	Reserved
1:00	RW1C	0	Active State Power Management Control

Table 5-49: PCI Express Device Link Status Register

Bits	Type	Default Value	Description
15	RW1C	0h	Link Autonomous Bandwidth Status
14	RW1C	0	Link Bandwidth Management Status
13	RO	0	Data Link Layer Link Active
12	Hwlnit	tbd	Slot Clock Configuration
11	RO	0	Link Training (1: Link training in progress;0: No link training in progress) (Non-standard)
10	RO	0	Reserved
9:4	RO	tbd	Negotiated Link Width
3:0	RO	tbd	Current Link Speed

Table 5-50: PCI Express Device Capabilities 2 Register

Bits	Type	Default Value	Description
31:24	RsvdP	0	Reserved
23:22	Hwlnit	0	Max End-End TLP Prefixes (N/A)
21	Hwlnit	0	End-End TLP Prefix Supported (N/A)
20	RO	0	Extended Format Field Supported (N/A)
19:18	Hwlnit	0	OBFF Supported (N/A)
17:14	RO	0	Reserved
13:12	RO	0	TPH Completer Supported (N/A)
11	RO	tbd	Latency Tolerance Reporting Supported (N/A)
10	Hwlnit	0	No RO-enabled PR-PR Passing (N/A)
9	RO	0	128-bit CAS Completer Supported (N/A)
8	RO	0	64-bit Atomic Op Completer Supported (N/A)
7	RO	0	32-bit Atomic Op Completer Supported (N/A)
6	RO	0	Atomic Op Routing Supported (N/A)
5	RO	0	ARI Forwarding Supported (N/A)
4	RO	tbd	Completion Timeout Disable Supported
3:0	Hwlnit	0	Completion Timeout Ranges Supported (50us to 200ms)

Table 5-51: PCI Express Device Control 2 Register

Bits	Type	Default Value	Description
15	RsvdP	0	End-to-end TLP Prefix Blocking (N/A)
14:13	RW/RsvdP	0	OBFF Enable (N/A)
12:11	RsvdP	0	Reserved
10	RW/RsvdP	0	Latency Tolerance Reporting Mechanism Enable (N/A)
9	RW	0	IDO Completion Enable
8	RW	0	IDO Request Enable
7	RW	0	AtomicOp Egress Blocking
6	RW	0	AtomicOp Requester Enable
5	RW	0	ARI Forwarding Enable
4	RW	0	Completion Timeout Disable
3:0	RW	0	Completion Timeout Value (0h - 50 μ s; 1h - 100 μ s; 2h - 2 ms; 5h - 50 ms; 6h - 200 ms; others - reserved)

Table 5-52: PCI Express Device Status 2 Register

Bits	Type	Default Value	Description
15:0	RsvdZ	0	Reserved

Table 5-53: PCI Express Link Capabilities 2 Register

Bits	Type	Default Value	Description
31:9	RsvdP	0	Reserved
8	RO	0	Cross-Link Supported (N/A)
7:1	RO	tbd	Supported Link Speeds 001b: 2.5 GT/s (Gen 1) 010b: 5.0 GT/s (Gen 2) 100b: 8 GT/s (Gen 3)
0	RsvdP	0	Reserved

Table 5-54: PCI Express Link Control 2 Register

Bits	Type	Default Value	Description
15:12	RWS/RsvdP	0	Compliance De-emphasis
11	RWS/RsvdP	0	Compliance SOS
10	RWS/RsvdP	0	Enter Modified Compliance
9:7	RWS/RsvdP	0	Transmit Margin
6	Hwlnit	0	Select De-Emphasis
5	RWS/RsvdP	0	Hardware Autonomous Speed Disable
4	RWS/RsvdP	0	Enter Compliance
3:0	RWS/RsvdP	tbd	Target Link Speed 1h: 2.5 GT/s (Gen 1) 2h: 5.0 GT/s (Gen 2) 3h: 8 GT/s (Gen 3)

Table 5-55: PCI Express Link Status 2 Register

Bits	Type	Default Value	Description
15:6	RsvdP	0	Reserved
5	RW1CS	0	Link Equalization Request
4	ROS	0	Equalization Phase 3 Successful
3	ROS	0	Equalization Phase 2 Successful
2	ROS	0	Equalization Phase 1 Successful
1	ROS	0	Equalization Complete
0	RO	tbd	Current De-Emphasis

5.1.7 Advanced Error Reporting Registers

Table 5-56: Advanced Error Reporting Capability Register Summary

Start Address	End Address	Symbol	Description
100h	103h	AERID	AER Capability ID
104h	107h	AERUCES	AER Uncorrectable Error Status
108h	10Bh	AERUCEM	AER Uncorrectable Error Mask
10Ch	10Fh	AERUCESEV	AER Uncorrectable Error Severity
110h	113h	AERCES	AER Correctable Error Status
114h	117h	AERCEM	AER Correctable Error Mask
118h	11Bh	AERCC	AER Advanced Error Capabilities and Control
11Ch	12Bh	AERHL	AER Header Log

Table 5-57: AER Capability ID Register

Bits	Type	Default Value	Description
31:20:00	RO	tbd	Next Pointer (Points to Secondary PCI Express Extended Capability Header Offset)
19:16	RO	tbd	Capability Version
15:00	RO	tbd	Capability ID

Table 5-58: AER Uncorrectable Error Status Register

Bits	Type	Default Value	Description
31:26	RsvdZ	0	Reserved
25	RsvdZ	0	TLP Prefix Blocked Error Status (N/A)
24	RsvdZ	0	Atomic Op Egress Blocked Status (N/A)
23	RsvdZ	0	Reserved
22	RW1CS	0	Uncorrectable Internal Error Status
21	RsvdZ	0	Reserved
20	RW1CS	0	Unsupported Request Error Status
19	RW1CS	0	ECRC Error Status
18	RW1CS	0	Malformed TLP Status
17	RW1CS	0	Receiver Overflow Status (N/A)
16	RW1CS	0	Unexpected Completion Status
15	RW1CS	0	Completer Abort Status
14	RW1CS	0	Completion Timeout Status
13	RW1CS	0	Flow Control Protocol Error Status (N/A)
12	RW1CS	0	Poisoned TLP Status
11:6	RsvdZ	0	Reserved
5	RsvdZ	0	Reserved
4	RW1CS	0	Data Link Protocol Error Status
3:1	RsvdP		Reserved
0	Undefined	0	Undefined

Table 5-59: AER Uncorrectable Error Mask Register

Bits	Type	Default Value	Description
31:26	RsvdZ	0	Reserved
25	RsvdZ	0	TLP Prefix Blocked Error Mask (N/A)
24	RsvdZ	0	Atomic Op Egress Blocked Mask (N/A)
23	RsvdZ	0	MC Blocked TLP Mask (N/A)
22	RWS	tbd	Uncorrectable Internal Error Mask
21	RsvdZ	0	ACS Violation Mask (N/A)
20	RWS	0	Unsupported Request Error Mask
19	RWS	0	ECRC Error Mask
18	RWS	0	Malformed TLP Mask
17	RWS	0	Receiver Overflow Mask (N/A)
16	RWS	0	Unexpected Completion Mask
15	RWS	0	Completer Abort Mask
14	RWS	0	Completion Timeout Mask
13	RWS	0	Flow Control Protocol Error Mask (N/A)
12	RWS	0	Poisoned TLP Mask
11:6	RsvdP	0	Reserved
5	RsvdZ	0	Reserved
4	RWS	0	Data Link Protocol Error Mask
3:1	RsvdP	0	Reserved
0	Undefined	0	Undefined

Table 5-60: AER Uncorrectable Error Severity Register

Bits	Type	Default Value	Description
31:26	RsvdP	0	Reserved
25	RsvdP	0	TLP Prefix Blocked Error Mask (N/A)
24	RsvdP	0	Atomic Op Egress Blocked Mask (N/A)
23	RsvdP	0	Reserved
22	RWS	tbd	Uncorrectable Internal Error Mask
21	RsvdP	0	Reserved
20	RWS	0	Unsupported Request Error Mask
19	RWS	0	ECRC Error Mask
18	RWS	tbd	Malformed TLP Mask
17	RWS	tbd	Receiver Overflow Mask (N/A)
16	RWS	0	Unexpected Completion Mask
15	RWS	0	Completer Abort Mask
14	RWS	0	Completion Timeout Mask
13	RWS	tbd	Flow Control Protocol Error Mask (N/A)
12	RWS	0	Poisoned TLP Mask
11:6	RsvdP	0	Reserved
5	RsvdP	tbd	Reserved
4	RWS	tbd	Data Link Protocol Error Mask
3:1	RsvdP	0	Reserved
0	Undefined	0	Undefined

Table 5-61: AER Correctable Error Status Register

Bits	Type	Default Value	Description
31:16	RsvdZ	0	Reserved
15	RsvdZ	0	Reserved
14	RW1CS	0	Corrected Internal Error Status (N/A)
13	RW1CS	0	Advisory Non-Fatal Error Status
12	RW1CS	0	Replay Timer Timeout Status
11:9	RsvdZ	0	Reserved
8	RW1CS	0	Replay Number Rollover Status
7	RW1CS	0	Bad DLLP Status
6	RW1CS	0	Bad TLP Status
5:1	RsvdZ	0	Reserved
0	RW1CS	0	Received Error Status

Table 5-62: AER Correctable Error Mask Register

Bits	Type	Default Value	Description
31:16	RsvdP	0	Reserved
15	RsvdP	0	Reserved
14	RWS	tbd	Corrected Internal Error Mask (N/A)
13	RWS	tbd	Advisory Non-Fatal Error Mask
12	RWS	0	Replay Timer Timeout Mask
11:9	RsvdP	0	Reserved
8	RWS	0	Replay Number Rollover Mask
7	RWS	0	Bad DLLP Mask
6	RWS	0	Bad TLP Mask
5:1	RsvdP	0	Reserved
0	RW	0	Received Error Mask

Table 5-63: AER Capabilities and Control Register

Bits	Type	Default Value	Description
31:12	RsvdP	0	Reserved
11	RsvdP	0	TLP Prefix Log Present (N/A)
10	RsvdP	0	Reserved
9	RsvdP	0	Reserved
8	RWS	0	ECRC Check Enable
7	RO	tbd	ECRC Check Capable
6	RWS	0	ECRC Generation Enable
5	RO	tbd	ECRC Generation Capable
4:0	ROS	0	First Error Pointer

Table 5-64: AER Header Log Register

Bits	Type	Default Value	Description
0	ROS	0	Header Byte 3
1	ROS	0	Header Byte 2
2	ROS	0	Header Byte 1
3	ROS	0	Header Byte 0
4	ROS	0	Header Byte 7
5	ROS	0	Header Byte 6
6	ROS	0	Header Byte 5
7	ROS	0	Header Byte 4
8	ROS	0	Header Byte 11
9	ROS	0	Header Byte 10
10	ROS	0	Header Byte 9
11	ROS	0	Header Byte 8
12	ROS	0	Header Byte 15
13	ROS	0	Header Byte 14
14	ROS	0	Header Byte 13
15	ROS	0	Header Byte 12

Table 5-65: AER TLP Prefix Log Register

Bits	Type	Default Value	Description
0	RO	0	First TLP Prefix Log Byte 3 (N/A)
1	RO	0	First TLP Prefix Log Byte 2 (N/A)
2	RO	0	First TLP Prefix Log Byte 1 (N/A)
3	RO	0	First TLP Prefix Log Byte 0 (N/A)
4	RO	0	Second TLP Prefix Log Byte 7 (N/A)
5	RO	0	Second TLP Prefix Log Byte 6 (N/A)
6	RO	0	Second TLP Prefix Log Byte 5 (N/A)
7	RO	0	Second TLP Prefix Log Byte 4 (N/A)
8	RO	0	Third TLP Prefix Log Byte 11 (N/A)
9	RO	0	Third TLP Prefix Log Byte 10 (N/A)
10	RO	0	Third TLP Prefix Log Byte 9 (N/A)
11	RO	0	Third TLP Prefix Log Byte 8 (N/A)
12	RO	0	Fourth TLP Prefix Log Byte 15 (N/A)
13	RO	0	Fourth TLP Prefix Log Byte 14 (N/A)
14	RO	0	Fourth TLP Prefix Log Byte 13 (N/A)
15	RO	0	Fourth TLP Prefix Log Byte 12 (N/A)

Table 5-66: Secondary PCI Express Capability Register Summary

Start Address	End Address	Symbol	Description
168h	16Bh	SPXID	Secondary PCI Express Capability
16Ch	16Fh	PXLC3	PCI Express Link Control 3
170h	173h	PXLE	PCI Express Lane Error Status
174h	175h	PXL0EC	PCI Express Lane 0 Equalization Control
176h	177h	PXL1EC	PCI Express Lane 1 Equalization Control
178h	179h	PXL2EC	PCI Express Lane 2 Equalization Control
17Ah	17Bh	PXL3EC	PCI Express Lane 3 Equalization Control

Table 5-67: Secondary PCI Express Capability ID Register

Bits	Type	Default Value	Description
31:20	RO	tbd	Next Pointer (Viking Vendor Specific Capability)
19:16	RO	tbd	Capability Version
15:0	RO	tbd	Capability ID (Secondary PCI Express Extended capability)

Table 5-68: PCI Express Link Control 3 Register

Bits	Type	Default Value	Description
31:2	Rsvdp	0	Reserved
1	Rsvdp	0	Link Equalization Request Interrupt Enable (N/A)
0	Rsvdp	0	Perform Equalization (N/A)

Table 5-69: PCI Express Lane Error Status Register

Bits	Type	Default Value	Description
31:4	Rsvdp	0	Reserved
3:0	RW1CS	0	Lane Error Status Bits

Table 5-70: PCI Express Lane 0 Equalization Register

Bits	Type	Default Value	Description
15	RsvdP	0	Reserved
14:12	Hwlnit/RO	tbd	Upstream Port Receiver Preset Hint
11:8	Hwlnit/RO	tbd	Upstream Port Transmitter Preset
7	RsvdP	0	Reserved
6:4	Hwlnit/RsvdP	0	Downstream Port Receiver Preset Hint (N/A)
3:0	Hwlnit/RsvdP	0	Downstream Port Transmitter Preset (N/A)

Table 5-71: PCI Express Lane 1 Equalization Register

Bits	Type	Default Value	Description
15	RsvdP	0	Reserved
14:12	Hwlnit/RO	tbd	Upstream Port Receiver Preset Hint
11:8	Hwlnit/RO	tbd	Upstream Port Transmitter Preset
7	RsvdP	0	Reserved
6:4	Hwlnit/RsvdP	0	Downstream Port Receiver Preset Hint (N/A)
3:0	Hwlnit/RsvdP	0	Downstream Port Transmitter Preset (N/A)

Table 5-72: PCI Express Lane 2 Equalization Register

Bits	Type	Default Value	Description
15	RsvdP	0	Reserved
14:12	Hwlnit/RO	tbd	Upstream Port Receiver Preset Hint
11:8	Hwlnit/RO	tbd	Upstream Port Transmitter Preset
7	RsvdP	0	Reserved
6:4	Hwlnit/RsvdP	0	Downstream Port Receiver Preset Hint (N/A)
3:0	Hwlnit/RsvdP	0	Downstream Port Transmitter Preset (N/A)

Table 5-73: PCI Express Lane 3 Equalization Register

Bits	Type	Default Value	Description
15	RsvdP	0	Reserved
14:12	Hwlnit/RO	tbd	Upstream Port Receiver Preset Hint
11:8	Hwlnit/RO	tbd	Upstream Port Transmitter Preset
7	RsvdP	0	Reserved
6:4	Hwlnit/RsvdP	0	Downstream Port Receiver Preset Hint (N/A)
3:0	Hwlnit/RsvdP	0	Downstream Port Transmitter Preset (N/A)

5.1.8 Device Serial Number Capability Register

Table 5-74: Device Serial Number Capability Register Header

Bits	Type	Default Value	Description
31:20	RO	tbd	Next Capability Offset
19:16	RO	tbd	Capability Version
15:0	RO	tbd	PCI Express Extended Capability ID

Table 5-75: Serial Number Register Header (offset 0x4/0x8)

Bits	Type	Default Value	Description
31:0	RO	parameter	Serial Number register (1st dword)

5.1.9 Power Budgeting Extended Capability

Table 5-76: Power Budgeting Extended Capability Header

Bits	Type	Default Value	Description
31:20	RO	tbd	Next Capability Offset
19:16	RO	tbd	Capability Version
15:0	RO	tbd	PCI Express Extended Capability ID

Table 5-77: Data Register

Bits	Type	Default Value	Description
31:21	RsvdP	0	Reserved
20:18	RO	0	Power Rail
17:15	RO	0	Type
14:13	RO	0	PM State
12:10	RO	0	PM Sub State
9:8	RO	0	Data Scale
7:0	RO	0	Base Power

Table 5-78: Power Budget Capability Register

Bits	Type	Default Value	Description
7:1	RsvdP	0	Reserved
0	HwInit	0	System Allocated

5.1.10 Latency Tolerance Reporting Capability Registers

Table 5-79: LTR Extended Capability Header

Bits	Type	Default Value	Description
31:20	RO	tbd	Next Capability Offset
19:16	RO	tbd	Capability Version
15:0	RO	tbd	PCI Express Extended Capability ID

Table 5-80: LTR Max Snoop latency Register

Bits	Type	Default Value	Description
15:13	RsvdP	0	Reserved
12:10	RW	0	Max Snoop latency Scale
9:0	RW	0	Max Snoop latency Value

Table 5-81: LTR Max No Snoop latency Register

Bits	Type	Default Value	Description
15:13	RsvdP	0	Reserved
12:10	RW	0	Max No Snoop latency Scale
9:0	RW	0	Max No Snoop latency Value

5.1.11 L1 Substates Capability Registers

Table 5-82: L1 Substates Extended Capability Header

Bits	Type	Default Value	Description
31:20	RO	0	Next Capability Offset
19:16	RO	tbd	Capability Version
15:0	RO	tbd	PCI Express Extended Capability ID

Table 5-83: L1 Substates Capability Register

Bits	Type	Default Value	Description
31:24	RsvdP	0	Reserved
23:19	Hwlnit	tbd	Port Power on value
18	RsvdP	0	Reserved
17:16	Hwlnit	0	Port T_Power_on scale
15:8	Hwlnit	tbd	Port Common_mode_restore_time
7:5	RsvdP	0	Reserved
4	Hwlnit	0	L1 PM Substates Supported
3	Hwlnit	0	ASPM PM L1.1 Supported
2	Hwlnit	0	ASPM PM L1.2 Supported
1	Hwlnit	0	PCI PM L1.1 Supported
0	Hwlnit	0	PCI PM L1.2 Supported

Table 5-84: L1 Substates Control1 Register

Bits	Type	Default Value	Description
31:29	RW	0	LTR L1.2 Threshold Scale
28:26	RsvdP	0	Reserved
25:16	RW	0	LTR L1.2 Threshold value
15:8	RsvdP	0	Common_mode_restore_time
7:4	RsvdP	0	Reserved
3	RW	0	ASPM PM L1.1 Supported
2	RW	0	ASPM PM L1.2 Supported
1	RW	0	PCI PM L1.1 Supported
0	RW	0	PCI PM L1.2 Supported

Table 5-85: L1 Substates Control2 Register

Bits	Type	Default Value	Description
31:8	RsvdP	0	Reserved
7:3	RW	tbd	T_POWER_ON Value
2	RsvdP	0	Reserved
1:0	RW	0	T_POWER_ON Scale

5.2 NVM Express Registers

5.2.1 Register Summary

Table 5-86: Register Summary

Start Address	End Address	Symbol	Description
00h	07h	CAP	Controller Capabilities
08h	0Bh	VS	Version
0Ch	0Fh	INTMS	Interrupt Mask Set
10h	13h	INTMC	Interrupt Mask Clear
14h	17h	CC	Controller Configuration
18h	1Bh	Reserved	Reserved
1Ch	1Fh	CSTS	Controller Status
20h	23h	Reserved	Reserved
24h	27h	AQA	Admin Queue Attributes
28h	2Fh	ASQ	Admin Submission Queue Base Address
30h	37h	ACQ	Admin Completion Queue Base Address
38h	EFFh	Reserved	Reserved
F00h	FFFh	Reserved	Command Set Specific
1000h	1003h	SQ0TDBL	Submission Queue 0 Tail Doorbell (Admin)
1000h + (1 * (4 << CAP.DSTRD))	1003h + (1 * (4 << CAP.DSTRD))	CQ0HDBL	Completion Queue 0 Head Doorbell (Admin)
	...		
1000h + (2y * (4 << CAP.DSTRD))	1003h + (2y * (4 << CAP.DSTRD))	SQyTDVL	Submission Queue y Tail Doorbell
1000h + ((2y + 1) * (4 << CAP.DSTRD))	1003h + ((2y + 1) * (4 << CAP.DSTRD))	CQyHDBL	Completion Queue y Head Doorbell

5.2.2 Controller Registers

Table 5-87: Controller Capabilities

Bits	Type	Name	Default Value	Description
63:56:00	RO		0h	Reserved
55:52:00	RO	MPSMAX	tbd	Memory Page Size Maximum (Maximum is 8KB)
51:48:00	RO	MPSMIN	0	Memory Page Size Minimum (Minimum is 4KB)
47:45:00	RO		0	Reserved
44:37:00	RO	CSS	tbd	Command Sets Supported
				1h: NVM command set
36	RO		0	Reserved
35:32:00	RO	DSTRD	0	Doorbell Stride
				0: Stride of 4 bytes
31:24:00	RO	TO	tbd	Timeout
				4h: 2 seconds
23:19	RO		0	Reserved
18:17	RO	AMS	0	Arbitration Mechanism Supported
				(Only support round robin)
16	RO	CQR	tbd	Contiguous Queues Required
15:00	RO	MQES	tbd	Maximum Queue Entries Supported
				(16384 entries supported)

Table 5-88: Version

Bits	Type	Name	Default Value	Description
31:16	RO	MJR	tbd	Major Version Number
15:0	RO	MNR	tbd	Minor Version Number

Table 5-89: Interrupt Mask Set

Bits	Type	Name	Default Value	Description
31:00	RW1S	IVMS	0	Interrupt Vector Mask Set

Table 5-90: Interrupt Mask Clear

Bits	Type	Name	Default Value	Description
31:00	RW1C	IVMC	0	Interrupt Vector Mask Clear

Table 5-91: Controller Configuration

Bits	Type	Name	Default Value	Description
31:24	RO	-	0	Reserved
23:20	RW	IOCQES	0	I/O Completion Queue Entry Size (Configured as a power of 2) (Should be set to 4 for a 16 byte entry size)
19:16	RW	IOSQES	0	I/O Submission Queue Entry Size (Configured as a power of 2) (Should be set to 6 for a 64 byte entry size)
15:14	RW	SHN	0	Shutdown Notification 0h: No notification 1h: Normal shutdown notification 2h: Abrupt shutdown notification 3h: Reserved CSTS.SHST indicates shutdown status.
13:11	RW	AMS	0	Arbitration Mechanism Selected 0h: Round Robin No other values supported.
10:7	RW	MPS	0	Memory Page Size MPS is $2^{(12+MPS)}$ Shall be within CAP.MPSMAX and CAP.MPSMIN ranges.
6:4	RW	CSS	0	Command Set Selected 0h: NVM Command Set No other values supported
3:1	RO	-	0	Reserved
0	RW	EN	0	Enable When set to 1, controller shall process commands. When cleared to 0, controller shall not process commands. This field is subject to CSTS.RDY and CAP.TO restrictions.

Table 5-92: Controller Status

Bits	Type	Name	Default Value	Description
31:4	RO	-	0	Reserved
3:2	RO	SHST	0	Shutdown Status 0h: Normal operation, no shutdown requested 1h: Shutdown processing occurring 2h: Shutdown processing complete 3h: Reserved
1	RO	CFS	0	Controller Fatal Status
0	RO	RDY	0	1h: Controller ready to process commands 0h: Controller shall not process commands.

Table 5-93: Admin Queue Attributes

Bits	Type	Name	Default Value	Description
31:28	RO	-	0	Reserved
27:16	RW	ACQS	0	Admin Completion Queue Size Max: 4096 (Value of 4095h - 0's based value)
15:12	RO	-	0	Reserved
11:0	RW	ASQS	0	Admin Submission Queue Size Max: 4096 (Value of 4095h - 0's based value)

Table 5-94: Admin Submission Queue Base Address

Bits	Type	Name	Default Value	Description
63:12	RW	ASQB	0	Admin Submission Queue Base Address
11:0	RO	-	0	Reserved

Table 5-95: Admin Completion Queue Base Address

Bits	Type	Name	Default Value	Description
63:12	RW	ACQB	0	Admin Completion Queue Base Address
11:0	RO	-	0	Reserved

Table 5-96: Submission Queue Tail y Doorbell

Bits	Type	Name	Default Value	Description
31:16	RO		0	Reserved
15:0	RW	SQT	0	Submission Queue Tail

Table 5-97: Completion Queue Head y Doorbell

Bits	Type	Name	Default Value	Description
31:16	RO		0	Reserved
15:0	RW	CQH	0	Completion Queue Head

6 Supported Command Set

6.1 Admin Command Set

Table 6-1: Opcode for Admin Commands

Opcode (Hex)	Command Name
00h	Delete I/O Submission Queue
01h	Create I/O Submission Queue
02h	Get Log Page
04h	Delete I/O Completion Queue
05h	Create I/O Completion Queue
06h	Identify
08h	Abort
09h	Set Feature
0Ah	Get Feature
0Ch	Asynchronous Event Request
10h	Firmware Activate
11h	Firmware Image Download
80h – BFh	Not used (I/O Command Set Specific)
C0h – FFh	Not used (Vendor Specific)

Table 6-2: Admin Commands –NVM Command Set Specific

Opcode (Hex)	Command Name
80h	Format NVM
81h	Security Send
82h	Security Recieve

6.1.1 Identify Command

Table 6-3: Identify Controller Data Structure

Bytes	O/M	Default Value	Description
1:00	M	tbd	PCI Vendor ID
3:02	M	tbd	PCI Subsystem Vendor ID
23:04	M	tbd	Serial Number (ASCII), #:Variables
63:24:00	M	(see Viking PN table)	Model Number (ASCII)
71:64	M	tbd	Firmware Revision, #:Variables
72	M	tbd	Recommended Arbitration Burst
75:73	M	tbd	IEEE OUI
76	O	tbd	Controller Multi-Path I/O and Namespace Sharing Bit 2: 1h - Controller is associated with an SR-IOV Virtual Function 0h - Controller is associated with a PCI Function. Bit 1: 1h - Device has Two or More controller 0h - Device has One Controller Bit 0: 1h - Device has Two or More physical PCI Express ports 0h - Device has One PCI Express port
77	M	tbd	Maximum Data Transfer Size Bit 0: 1h - Supported (dual port – future value) 0h - Not Support (Single Port) Maximum Data Transfer Size (MDTS)
79:78	M	tbd	Controller ID (CNTLID)
255:80		tbd	Reserved
257:256	M	tbd	Optional Admin Command Support Bits 15:3 - Reserved Bit 3: 1h - Namespace Management and Namespace Attachment Commands Supported (PM953 conditionally supports the Namespace Management and Namespace Attachment command(NVMe v1.2 specification) for reconfigurable overprovisioning) Bit 2: 1h – Firmware Activate/Download Supported Bit 1: 1h Format NVM Supported Bit 0: 0 Security Send and Security Receive Not Supported
258	M	tbd	Abort Command Limit (Maximum number of concurrently outstanding Abort commands) (0's based value)
259	M	tbd	Asynchronous Event Request Limit (Maximum number of concurrently outstanding Asynchronous Event Request commands) (0's based value)
260	M	tbd	Firmware Updates Bits 7:4 – Reserved Bits 3:1 – Number of firmware slots Bit 0 – 1h Slot 1 is read only
261	M	tbd	Log Page Attributes Bits 7:1 – Reserved Bit 0: 0h SMART data is global for all namespaces
262	M	tbd	Error Log Page Entries (Number of Error Information log entries stored by controller) (0's based value)

Bytes	O/M	Default Value	Description
263	M	tbd	Number of Power States Support (0's based value)
264	M	tbd	Admin Vendor Specific Command Configuration Bits 7:1 – reserved Bit 0 – Indicates Admin Vendor Specific Commands use the format defined in NVM Express 1.0c Figure 8.
265	O	tbd	Autonomous Power State Transition Attributes (APSTA)
511:266	-	-	Reserved
512	M	tbd	Submission Queue Entry Size Bits 7:4 – 6h Max SQES (64 bytes) Bits 3:0 – 6h Required SQES (64 bytes)
513	M	tbd	Completion Queue Entry Size Bits 7:4 – 4h Max SQES (16 bytes) Bits 3:0 – 4h Required SQES (16 bytes)
515:514		tbd	Reserved
519:516	M	tbd	Number of Namespaces
521:520	M	tbd	Optional NVM Command Support Bits 15:6 – Reserved Bit 5 – 1h Reservations Supported 0h Not support Reservations Bit 4 – 1h Save field in Set Feature & Select field in Get Feature Supported 0h Not support Save field in Set Feature & Select field in Get Feature Bit 3 – 1h Write Zeros Supported 0h Not support Write Zeros Bit 2 – 1h Dataset Management Supported 0h Not support Dataset Management Bit 1 – 1h Write Uncorrectable Supported 0h Not support Write Uncorrectable Bit 0 – 1h Compare Supported 0h Not support Compare
523:522	M	tbd	Fused Operation Support Bits 15:1 – Reserved Bit 0 – 0h Compare/Write Fused Operation Not Supported
524	M	tbd	Format NVM Attributes Bits 7:3 – Reserved Bit 2 – 1h Cryptographic Erase Bit 1 – 1h Secure Erase Per Namespace Bit 0 – 0h Format Per Namespace
525	M	tbd	Volatile Write Cache 0h – No VWC present
527:526	M	tbd	Atomic Write Unit Normal
529:528	M	tbd	Atomic Write Unit Power Fail (0's based value)
530	M	tbd	NVM Vendor Specific Command Configuration Bits 7:1 – reserved Bit 0 – Indicates NVM Vendor Specific Commands use the format defined in NVM Express 1.1.a
531	M	tbd	Reserved
533:532	O	tbd	ACWU
534:533	M	tbd	Reserved
539:536	O	tbd	No SGL support
703:540	-	tbd	Reserved
I/O Command Set Attributes			
2047:704	-	tbd	Reserved
Power State Descriptors			

Bytes	O/M	Default Value	Description
2079:2048	M	refer to 'Identify Power State Descriptor Data Structure'	Power State 0 Descriptor
2111:2080	O	tbd	N/A
2143:2112	O	tbd	N/A
...	-	tbd	N/A
3071:3040	O	tbd	Power State 31 Descriptor (N/A)
Vendor Specific			
4095:3072	-	-	Viking Reserved

Table 6-4: Identify Power State Descriptor Data Structure

Bits	Power State 0	Description
255:125	0h	Reserved
124:120	0h	Relative Write Latency
119:117	0h	Reserved
116:112	0h	RelativeWriteThroughput
111:109	0h	Reserved
108:104	0h	RelativeReadLatency
103:101	0h	Reserved
100:96	0h	RelativeReadThroughput
95:64	5h	Exit Latency
63:32:00	5h	(QWUVDWHQF\ ___XV__
31:26:00	0h	Reserved
25	0h	Non-Operational State
24	0h	Max Power Scale
23:16	0h	Reserved
15:00	384h	Maximum Power

Table 6-5: Identify Namespace Data Structure

Bytes	O/M	Default Value		Description
7:00	M		tbd	Namespace Size
15:88	M	120 240 480	Byte[7:0] DF94BB0h 1BF244B0h 37E436B0h	Namespace Capacity
23:16	M		-	Namespace Utilization A device may report Namespace Utilization equal to Namespace Capacity at all times if the product is not targeted for thin provisioning environments
24	M		tbd	Namespace Features Bits 7:1 Reserved Bit 0: Thin provisioning not supported
25	M		tbd	Number of LBA Formats
26	M		tbd	Formatted LBA Size Bits 7:5 – Reserved Bit 4: Metadata interleaved or separate (based on LBA format) Bit 3:0 – Indicates LBA format
27	M		tbd	Metadata Capabilities Bits 7:2 – Reserved Bit 1 – Supports Metadata as separate buffer Bit 0 – Supports Metadata as extended LBA
28	M		tbd	End-to-end Data Protection Capabilities Bits 7:5 – Reserved Bit 4 – Supports protection information as last 8 bytes of Metadata Bit 3 – Supports protection information as first 8 bytes of metadata Bit 2 – Supports Type 3 protection information Bit 1 – Supports Type 2 protection information Bit 0 – Supports Type 1 protection information
29	M		tbd	End-to-End Data Protection Type Settings Bits 7:4 – Reserved Bit 3 – 1: Protection information transferred as first 8 bytes of metadata Bit 3 – 0: Protection information transferred as last 8 bytes of metadata Bit 2:0 – 000b: Protection information disabled Bit 2:0 – 1h: Protection type 1 enabled Bit 2:0 – 2h: Protection type 2 enabled Bit 2:0 – 3h: Protection type 3 enabled
30	O		tbd	Namespace Multi-path I/O and Namespace sharing Capabilities (NMIC) Bits 7:1 - Reserved Bit 0 - 1 : Accessible by two or more controllers Bit 0 - 0 : Private namespace
31	O		tbd	Reservation Capabilities (RESCAP) Bits 7 - Reserved Bits 6 - 1 : Namespace supports the Exclusive Access (All Registrants reservation type) Bit 5 - 1 : Namespace supports the Write Exclusive (All Registrants reservation type) Bit 4 - 1 : Namespace supports the Exclusive Access (Registrants only reservation type) Bit 3 - 1 : Namespace supports the Write Exclusive (Registrants only reservation type) Bit 2 - 1 : Namespace supports the Exclusive Access Reservation type Bit 1 - 1 : Namespace supports the Write Exclusive Reservation type Bit 0 - 1 : Namespace supports the Persist Through Power Loss capability
119:32	-		tbd	Reserved
127:120	M		tbd	IEEE Extended Unique Identifier(EUI64) #:Variables
131:128	M		refer to 'LBA Format 0 Data Structure'	LBA Format 0 Support
135:132	O		tbd	LBA Format 1 Support

Bytes	O/M	Default Value	Description
139:136	O	tbd	LBA Format 2 Support
143:140	O	tbd	LBA Format 3 Support
147:144	O	tbd	LBA Format 4 Support (N/A)
...			
191:188	O	tbd	LBA Format 15 Support (N/A)
383:192	-	tbd	Reserved
Vendor Specific			
4095:384		-	Viking Reserved

Table 6-6: LBA Format 0 Data Structure

Bits	Name	Default Value	Description
31:26:00		0	Reserved
25:24:00	RP	0	Relative Performance
23:16	LBADS	tbd	LBA Data Size
15:00	MS	0	Metadata Size

6.2 NVM Express I/O Command Set

Table 6-7: Opcode for NVM Express I/O Commands

Opcode (Hex)	Command Name
00h	Flush
01h	Write
02h	Read
04h	Write Uncorrectable
05h	Compare
08h	Write Zeroes
09h	Dataset Management

6.3 SMART/Health Information

Table 6-8: SMART/Health Information Log

Bytes	Default Value	Attribute Description
0	0	Critical Warning Bit 7:5 – Reserved Bit 4 – 1h: the available spare space has fallen below the threshold Bit 3 – 1h: the temperature has exceeded a critical threshold Bit 2 – 1h: the device reliability has been degraded due to significant media related errors or any internal error that degrades device reliability Bit 1 – 1h: the media has been placed in read only mode Bit 0 – 1h: the volatile memory backup device has failed. (only valid if the controller has a volatile memory backup solution)
2:01	current temp	Temperature
3	tbd	Available Spare
4	tbd	Available Spare Threshold
5	0	Percentage Used
31:06:00	-	Reserved
47:32:00	0	Data Units Read
63:48:00	0	Data Units Written
79:64	0	Host Read Commands
95:80	0	Host Write Commands
111:96	0	Controller Busy Time
127:112	0	Power Cycles
143:128	0	Power On Hours
159:144	0	8QVDIH_6KXWGRZQV
175:160	0	Media Errors
191:176	0	Number of Error Information Log Entries

7 Product Compliance

Table 7-1: Product Compliance Certifications

Category	Certifications
Safety	c-UL-us
	CE
	TUV
	CB
	CE (EU)
EMC	BSMI (Taiwan)
	KCC (South Korea)
	VCCI (Japan)
	C-Tick (Australia)
	FCC (USA)

8 References

- PCI Express M.2 Specification, Revision 1.0
- PCI Express Base Specification Rev. 3.0
- NVM Express Specification Rev.1.2