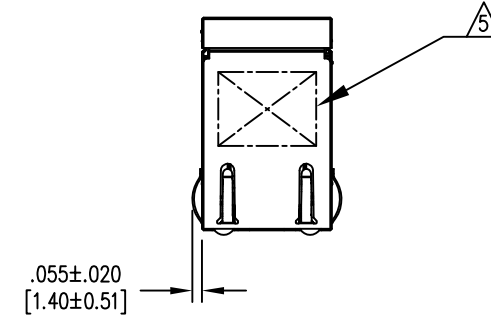
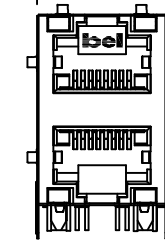


DATE	REV	ECN	APP'D. BY
9-14-16	A2	10758	ADB
7-26-17	A3	11051	TRM

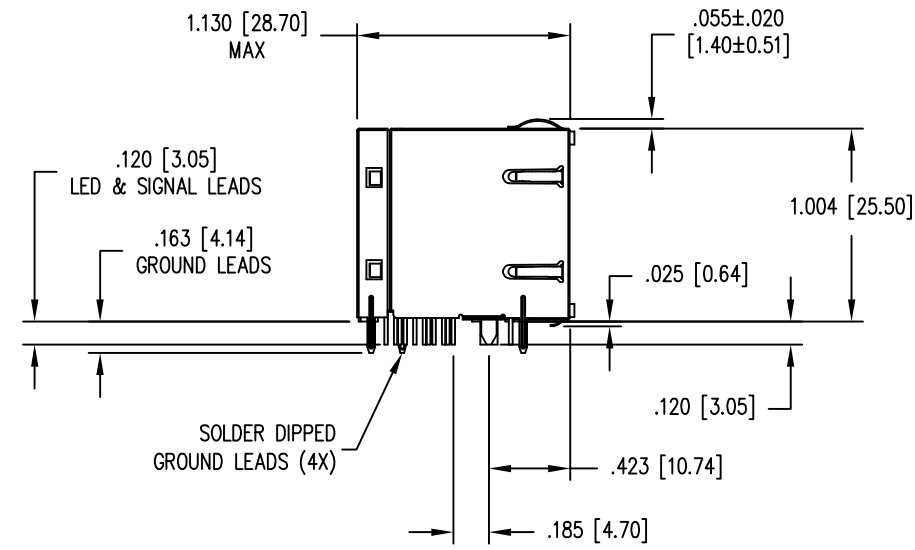
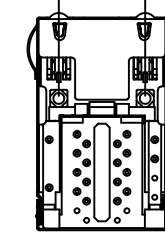


.055±.020
[1.40±0.51]

.676 [17.17]



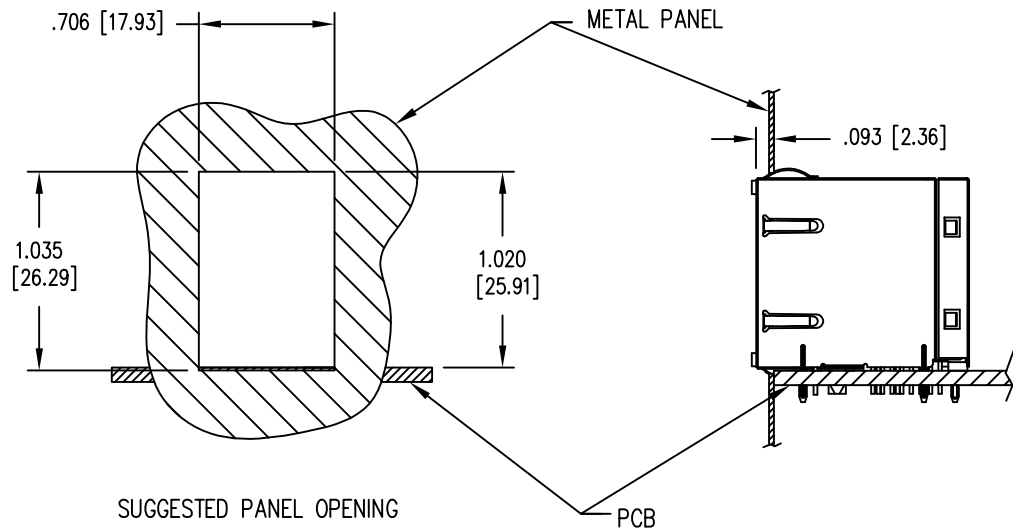
.450 [11.43]



NOTES:

- CONNECTOR MATERIALS:
HOUSING: THERMOPLASTIC UL94 V-0
CONTACTS/SHIELD: COPPER ALLOY
SHIELD PLATING: NICKEL OR "REFLOW" TIN
CONTACT PLATING: SELECTIVE GOLD OR EQUIVALENT IN THE CONTACT AREA
SEE CHART FOR PART NUMBER
 - FOR PRODUCT SPECIFICATIONS SEE PR022-01.
 - DIMENSIONS AND TOLERANCES COMPLY WITH TIA-1096 STANDARD.
 - THE SUGGESTED PANEL OPENING IS INTENDED TO GIVE USER THE ABILITY TO HAVE REASONABLE JACK/PANEL CLEARANCES, YET MAINTAIN GROUNDING CAPABILITY. THESE VARIABLES CAN BE ADJUSTED IN EITHER DIRECTION BUT MAY CARRY SOME CONSEQUENCES IN THE FORM OF LOWER MATING FORCES OR TIGHTER ASSEMBLY TOLERANCES.
- ⚠ MARK PART WITH MFG LOGO, MFG NAME, PART NUMBER, AND DATE CODE.
- DESIGNED FOR CATEGORY 5/5e APPLICATIONS.

50 MICRO-INCHES [1.27um]	SS-74500-018
CONTACT PLATING IN MATING AREA	PART NUMBER



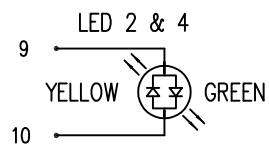
THIRD ANGLE PROJECTION	<p>1118 Susquehanna Trail South Glen Rock, PA 17327-9199 (717) 235-7512 http://www.stewartconnector.com</p>
DO NOT SCALE DRAWING DRAWING IS SUBJECT TO CHANGE WITHOUT NOTICE	
DIMENSIONS: INCHES [METRIC]	TITLE: 2X1 SHIELDED STACK JACK WITH YELLOW/GREEN (BI-COLOR) UPPER AND LOWER LEADS
UNLESS OTHERWISE SPECIFIED TOLERANCES ARE ±.010 [0.25] ANGLES ARE ± 1°	DRN BY: ADB DATE 9-4-15
SHEET NO. 1 OF 3	APP'D BY: DHG DATE 9-8-15
	DWG NO. CT740217 REV. A3



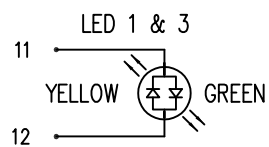
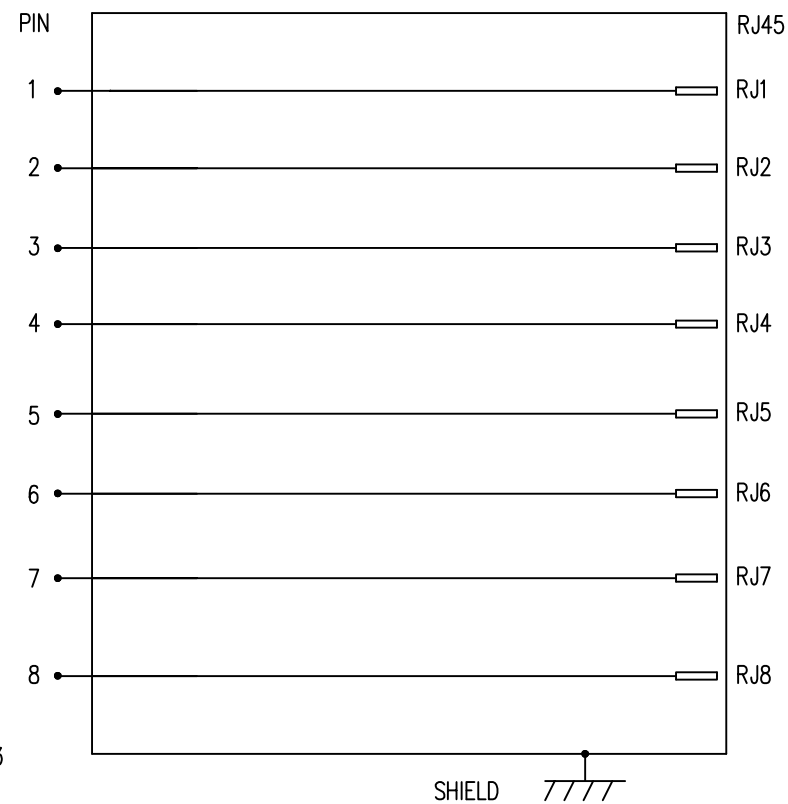
LED INFORMATION

LED 2 & 4 POLARITY			LED 1 & 3 POLARITY		
PIN 9	PIN 10	COLOR	PIN 11	PIN 12	COLOR
-	+	YELLOW	-	+	YELLOW
+	-	GREEN	+	-	GREEN

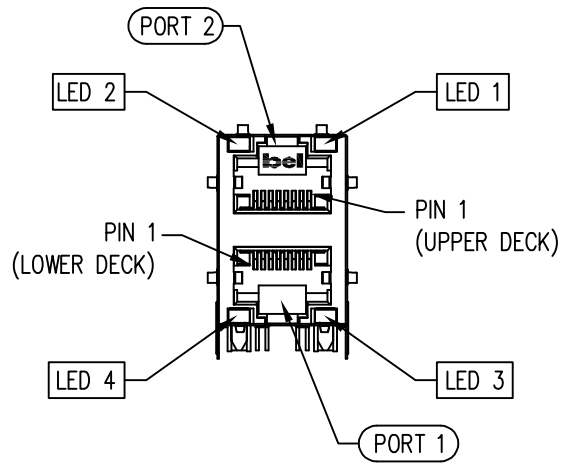
LEDS 1, 2, 3, AND 4
 VF (FORWARD VOLTAGE) IF=20mA GREEN 2.2V TYP.
 YELLOW 2.1V TYP.
 λD (DOMINANT WAVELENGTH) IF=20mA GREEN 570nm TYP.
 YELLOW 590nm TYP.



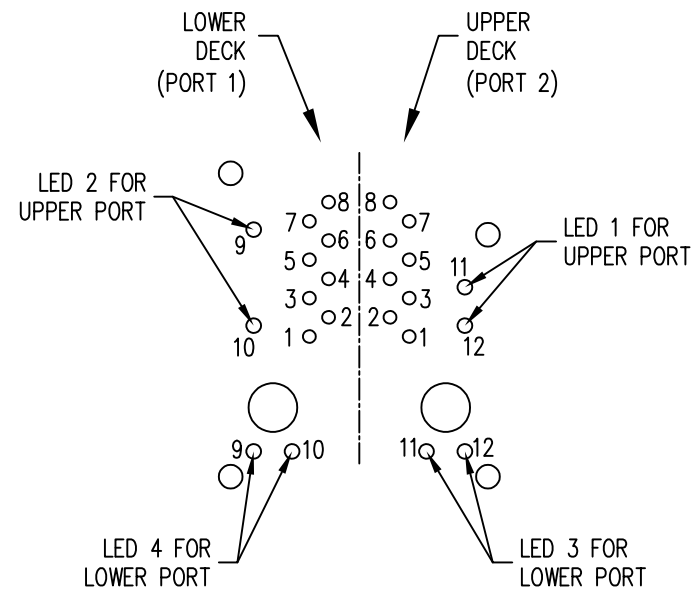
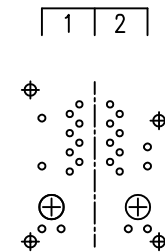
SCHEMATIC



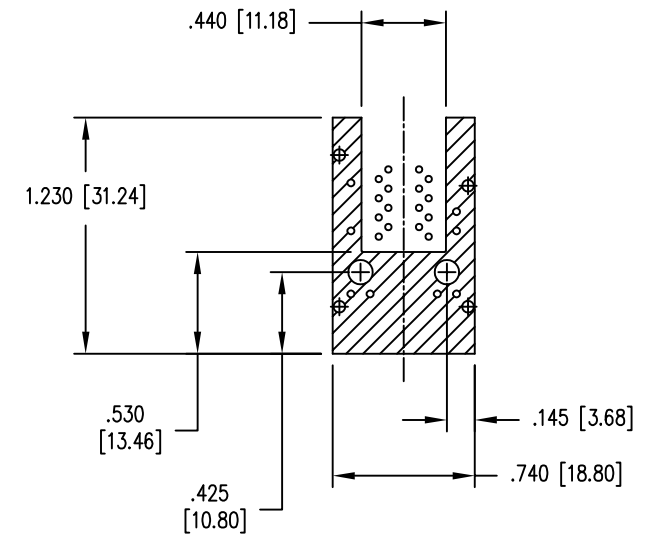
PORT ASSIGNMENT (FRONT VIEW OF JACK)



PORT ASSIGNMENT (PCB - COMPONENT SIDE VIEW)



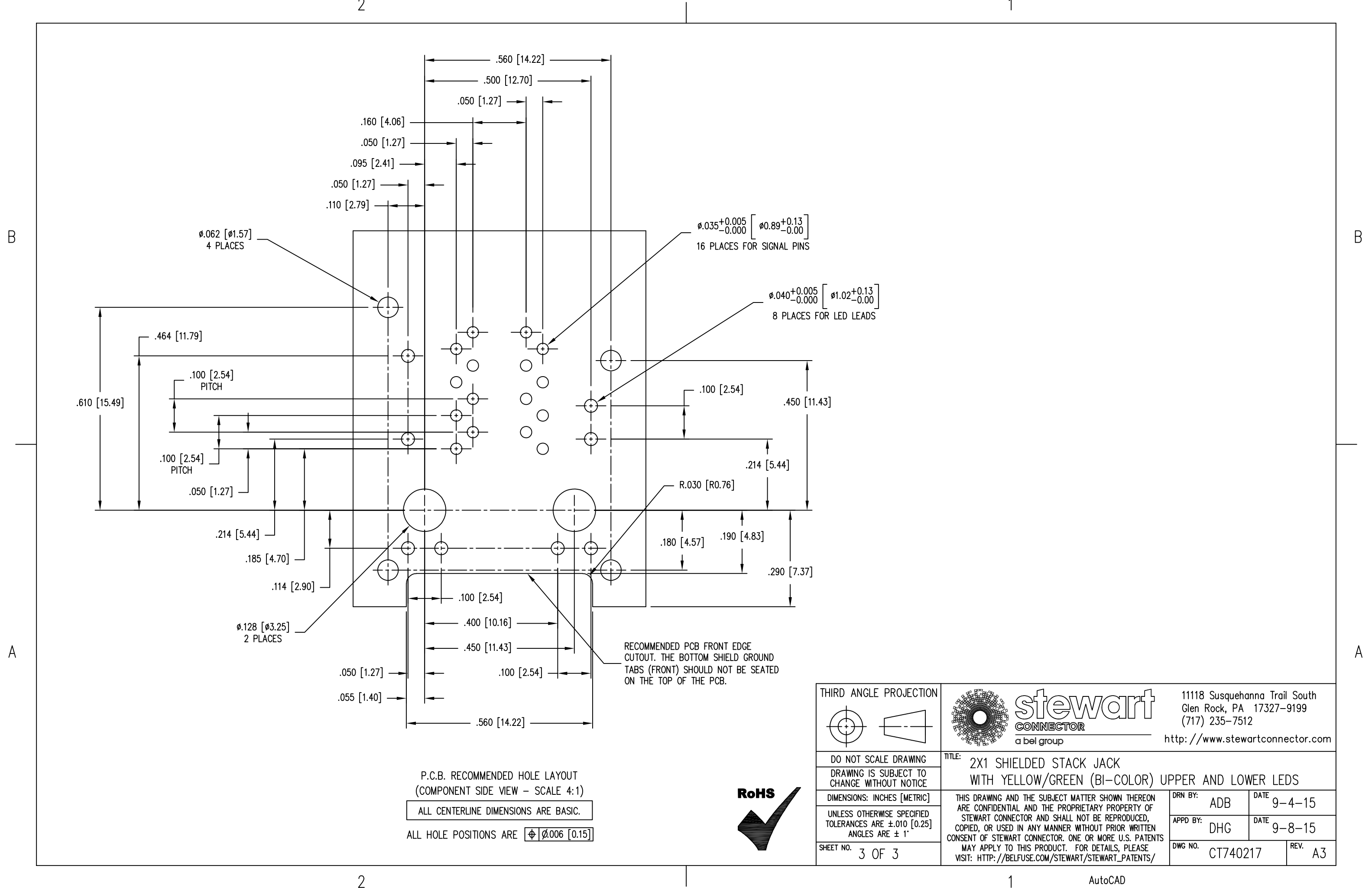
PIN-OUT INFORMATION (PCB - COMPONENT SIDE VIEW)



THE SHADED AREA ON THE CUSTOMER BOARD IS RECOMMENDED TO BE CLEAR OFF ANY VIA HOLE OR COMPONENT PAD.



THIRD ANGLE PROJECTION	 1118 Susquehanna Trail South Glen Rock, PA 17327-9199 (717) 235-7512 http://www.stewartconnector.com	DRN BY: ADB		DATE: 9-4-15
DO NOT SCALE DRAWING DRAWING IS SUBJECT TO CHANGE WITHOUT NOTICE		APPD BY: DHG		DATE: 9-8-15
DIMENSIONS: INCHES [METRIC]	THIS DRAWING AND THE SUBJECT MATTER SHOWN THEREON ARE CONFIDENTIAL AND THE PROPRIETARY PROPERTY OF STEWART CONNECTOR AND SHALL NOT BE REPRODUCED, COPIED, OR USED IN ANY MANNER WITHOUT PRIOR WRITTEN CONSENT OF STEWART CONNECTOR. ONE OR MORE U.S. PATENTS MAY APPLY TO THIS PRODUCT. FOR DETAILS, PLEASE VISIT: HTTP://BELFUSE.COM/STEWART/STEWART_PATENTS/		DWG NO. CT740217	REV. A3
UNLESS OTHERWISE SPECIFIED TOLERANCES ARE ±.010 [0.25] ANGLES ARE ± 1°			SHEET NO. 2 OF 3	



P.C.B. RECOMMENDED HOLE LAYOUT
 (COMPONENT SIDE VIEW - SCALE 4:1)
 ALL CENTERLINE DIMENSIONS ARE BASIC.
 ALL HOLE POSITIONS ARE $\pm \phi 0.006$ [0.15]

RECOMMENDED PCB FRONT EDGE CUTOUT. THE BOTTOM SHIELD GROUND TABS (FRONT) SHOULD NOT BE SEATED ON THE TOP OF THE PCB.



THIRD ANGLE PROJECTION		 1118 Susquehanna Trail South Glen Rock, PA 17327-9199 (717) 235-7512 http://www.stewartconnector.com	
DO NOT SCALE DRAWING DRAWING IS SUBJECT TO CHANGE WITHOUT NOTICE		TITLE: 2X1 SHIELDED STACK JACK WITH YELLOW/GREEN (BI-COLOR) UPPER AND LOWER LEDS	
DIMENSIONS: INCHES [METRIC]		DRN BY: ADB	DATE: 9-4-15
UNLESS OTHERWISE SPECIFIED TOLERANCES ARE ± 0.010 [0.25] ANGLES ARE $\pm 1^\circ$		APPD BY: DHG	DATE: 9-8-15
SHEET NO. 3 OF 3		DWG NO. CT740217	REV. A3