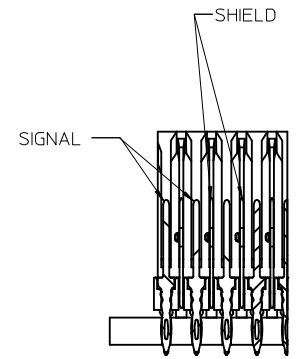
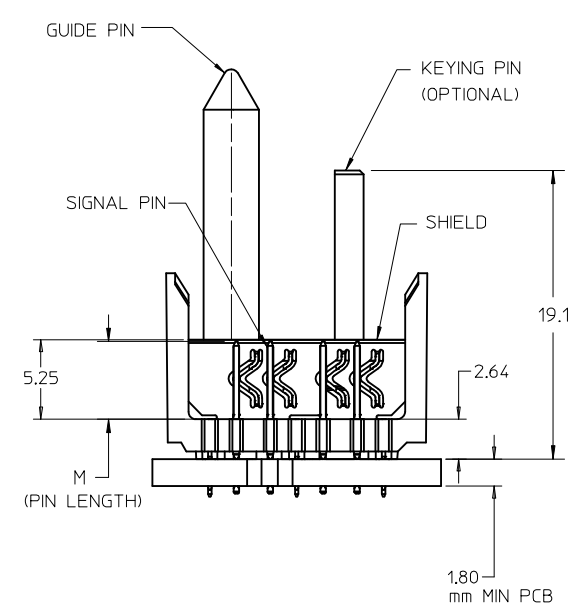
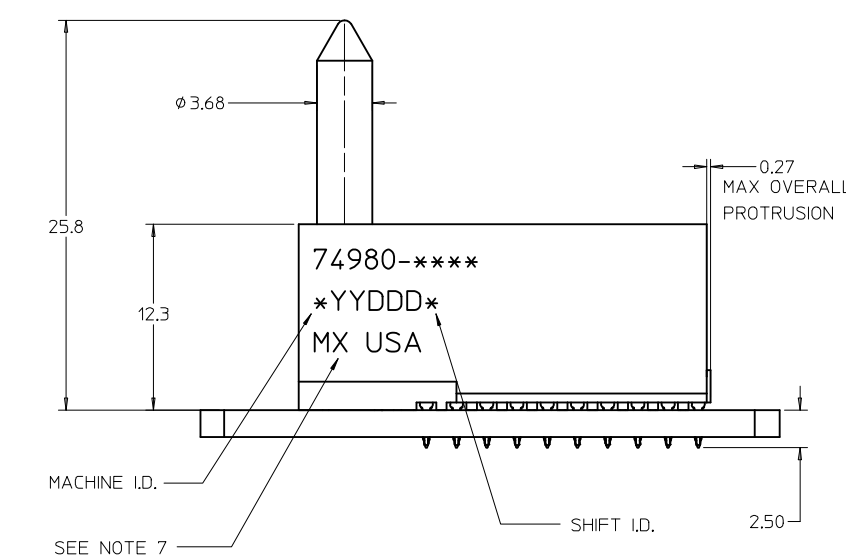


BACKPLANE HOLE PATTERN
RECOMMENDED DIMENSIONS

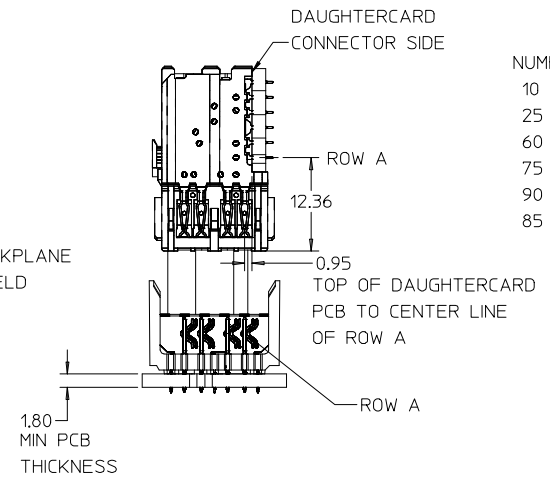
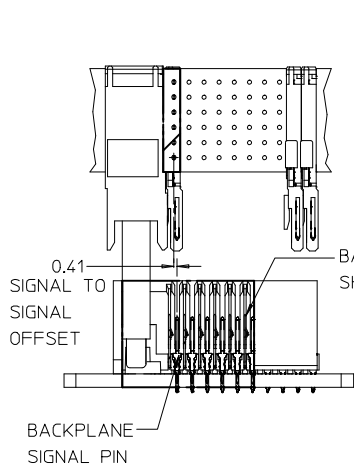


SECTION A-A

- NOTES:
1. MATERIAL: HOUSING-LIQUID CRYSTAL POLYMER (LCP) GLASS-FILLED. UL 94V-0. COLOR-BLACK. SIGNAL AND SHIELD - HIGH PERFORMANCE COPPER ALLOY.
 2. FINISHES:
CONTACT AREA: SELECTIVE GOLD (Au)
PCB TAILS: SELECTIVE MATTE TIN (Sn)
NICKEL (Ni) OVERALL.
 3. THIS PART CONFORMS TO MOLEX PRODUCT SPECIFICATION PS-74031-999.
 4. FOR MIXED CONTACT MATING LENGTHS - CONSULT MOLEX FOR AVAILABILITY.
 5. FOR SPECIFIC PART NUMBER AND MATING INFORMATION REFER TO SHEET 2.
 6. PACKAGE PER PK-74058-003.
 7. MARK PART NUMBER AND DATE CODE APPROXIMATELY WHERE SHOWN
 8. MAPS (MOLEX ADVANCED PLATING SYSTEM).

THE PRIMARY CARTON WITH A LABEL STATING "ELV AND RoHS COMPLAINT" IS LEAD FREE. CARTONS WITHOUT THIS LABEL MAY CONTAIN LEAD.

LEAD FREE CONVERSION EC NO: UCP2013-0687 DRAWN:ES 2012/08/22 CHKD:HWOLFE 2012/11/21 APPR:SMILLER 2012/12/14	QUALITY SYMBOLS ▽=0 ▽=0 ▽=0	GENERAL TOLERANCES (UNLESS SPECIFIED)		DIMENSION STYLE MM ONLY		SCALE 4:1	DESIGN UNITS METRIC	THIRD ANGLE PROJECTION	
		mm	INCH	DRAWN BY NMARTIN	DATE 2002/09/04	TITLE HSD SALES ASSEMBLY 6 ROW SIGNAL END BACKPLANE	DOCUMENT NO. SD-74980-010		SHEET NO. 1 OF 2
REV D	DESCRIPTION	DRAFT WHERE APPLICABLE MUST REMAIN WITHIN DIMENSIONS		SEE SHT.2		THIS DRAWING CONTAINS INFORMATION THAT IS PROPRIETARY TO MOLEX INCORPORATED AND SHOULD NOT BE USED WITHOUT WRITTEN PERMISSION			



NUMBER OF COLUMNS/PLATING

10 = 10 COLUMN MATTE TIN (FORMERLY TIN/LEAD)

25 = 25 COLUMN MATTE TIN (FORMERLY TIN/LEAD)

60 = 10 COLUMN MATTE TIN (MAPS)

75 = 25 COLUMN MATTE TIN (MAPS)

90 = 10 COLUMN MATTE TIN

85 = 25 COLUMN MATTE TIN

74980-****

SIGNAL PIN LENGTH (mm)

1 & 6 = 4.75

2 & 7 = 6.25

3 & 8 = 4.25

4 & 9 = 5.15

P/N 74980-()	-**0*	-**1*	-**2*	-**3*	-**4*	-**5*	-**6*	-**7*	-**8*
KEYING PIN ORIENTATION	0	A	B	C	D	E	F	G	H

PART NUMBER	COLUMN	NUMBER OF SIGNAL PIN	NUMBER OF SHIELD	A	B	M	GOLD THICKNESS MICROMETER	TIN THICKNESS MICROMETER
74980-60*1	10	40	10	27.00	18.00	4.75	0.25 MAPS	0.76-1.52
74980-*0*1							0.76	
74980-*0*6							1.27	
74980-75*1	25	100	25	57.00	48.00	4.75	0.25 MAPS	
74980-*5*1							0.76	
74980-*5*6							1.27	
74980-60*2	10	40	10	27.00	18.00	6.25	0.25 MAPS	
74980-*0*2							0.76	
74980-*0*7							1.27	
74980-75*2	25	100	25	57.00	48.00	6.25	0.25 MAPS	
74980-*5*2							0.76	
74980-*5*7							1.27	
74980-60*3	10	40	10	27.00	18.00	4.25	0.25 MAPS	
74980-*0*3							0.76	
74980-*0*8							1.27	
74980-75*3	25	100	25	57.00	48.00	4.25	0.25 MAPS	
74980-*5*3							0.76	
74980-*5*8							1.27	
74980-60*4	10	40	10	27.00	18.00	5.15	0.25 MAPS	
74980-*0*4							0.76	
74980-*0*9							1.27	
74980-75*4	25	100	25	57.00	48.00	5.15	0.25 MAPS	
74980-*5*4							0.76	
74980-*5*9							1.27	

SEE SHEET 1 EC NO: UCP2013-0687 DRAWINGS 2012/08/22 CHKD:MMOLFE 2012/11/21 APPR:SMILLER 2012/12/14	QUALITY SYMBOLS 	GENERAL TOLERANCES (UNLESS SPECIFIED) <table border="1"> <tr> <th></th> <th>mm</th> <th>INCH</th> </tr> <tr> <td>4 PLACES</td> <td>± .005</td> <td>± .0002</td> </tr> <tr> <td>3 PLACES</td> <td>± .005</td> <td>± .0002</td> </tr> <tr> <td>2 PLACES</td> <td>± .005</td> <td>± .0002</td> </tr> <tr> <td>1 PLACE</td> <td>± .005</td> <td>± .0002</td> </tr> <tr> <td>0 PLACE</td> <td>±</td> <td>±</td> </tr> </table>		mm	INCH	4 PLACES	± .005	± .0002	3 PLACES	± .005	± .0002	2 PLACES	± .005	± .0002	1 PLACE	± .005	± .0002	0 PLACE	±	±	DIMENSION STYLE MM ONLY DRAWN BY DATE NMARTIN 2002/09/04 CHECKED BY DATE SREED 2002/09/04 APPROVED BY DATE CBIXLER 2002/09/04	SCALE 4:1 TITLE HSD SALES ASSEMBLY 6 ROW SIGNAL END BACKPLANE	DESIGN UNITS METRIC 	THIRD ANGLE PROJECTION
		mm	INCH																					
	4 PLACES	± .005	± .0002																					
	3 PLACES	± .005	± .0002																					
2 PLACES	± .005	± .0002																						
1 PLACE	± .005	± .0002																						
0 PLACE	±	±																						
		ANGULAR ± 1 ° DRAFT WHERE APPLICABLE MUST REMAIN WITHIN DIMENSIONS	MATERIAL NO. SEE TABLE	DOCUMENT NO. SD-74980-010																				
			SIZE 	THIS DRAWING CONTAINS INFORMATION THAT IS PROPRIETARY TO MOLEX INCORPORATED AND SHOULD NOT BE USED WITHOUT WRITTEN PERMISSION																				
						SHEET NO. 2 OF 2																		